



MANHATTAN
COMFORT

888-230-2225

help@manhattancomfort.com

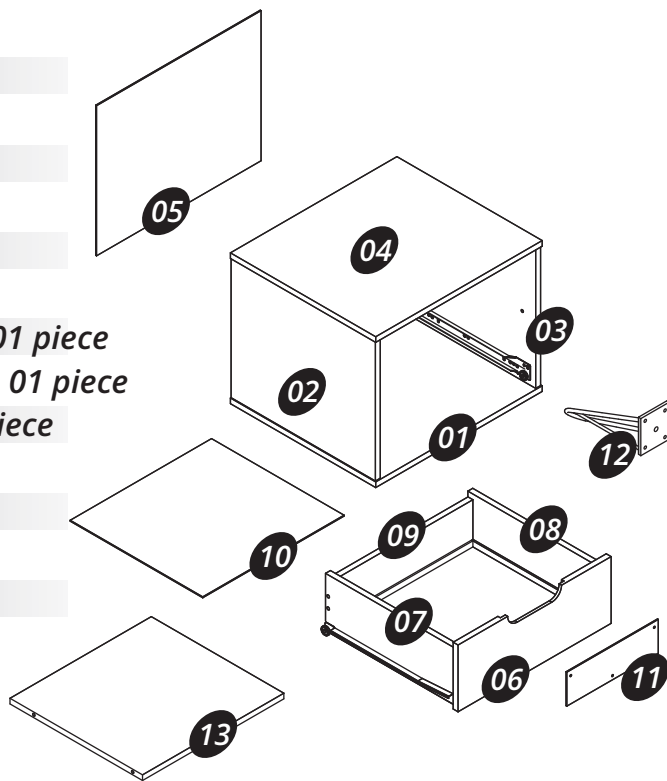


Rockefeller

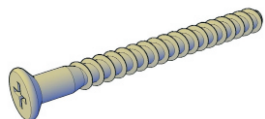
nightstand 01 drawer

Included in the package

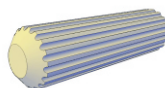
- 01 - Base = 01 piece
- 02 - Left side panel = 01 piece
- 03 - Right side panel = 01 piece
- 04 - Top panel = 01 piece
- 05 - Back panel = 01 piece
- 06 - Front of the drawer = 01 piece
- 07 - Left side panel of the drawer = 01 piece
- 08 - Right side panel of the drawer = 01 piece
- 09 - Rear panel of the drawer = 01 piece
- 10 - Base of the drawer = 01 piece
- 11 - Decorative apply = 01 piece
- 12 - Feet = 04 pieces
- 13 - Shelf = 01 piece



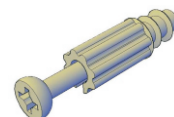
A = 16x



B = 08x



C = 08x



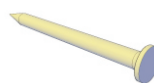
D = 12x



E = 12x



F = 03x



G = 20x



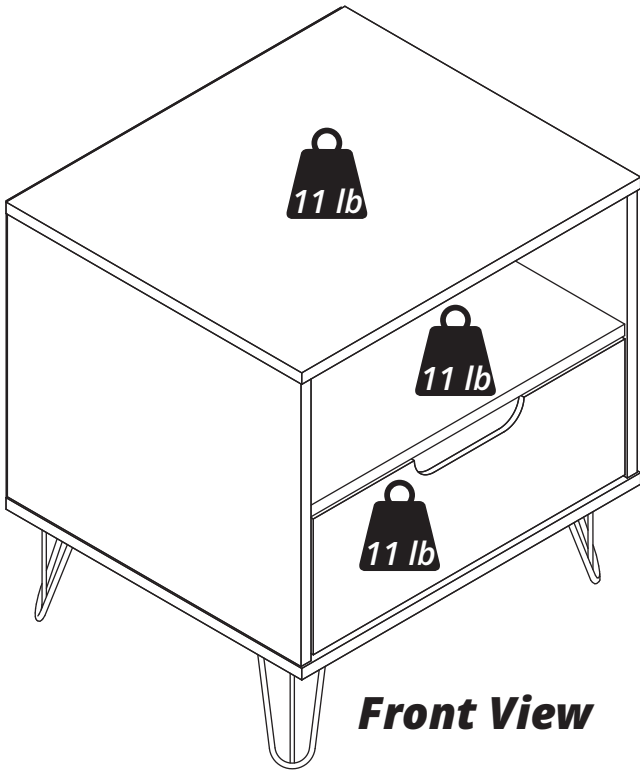
H = 12x

**Tools needed
(not included)**

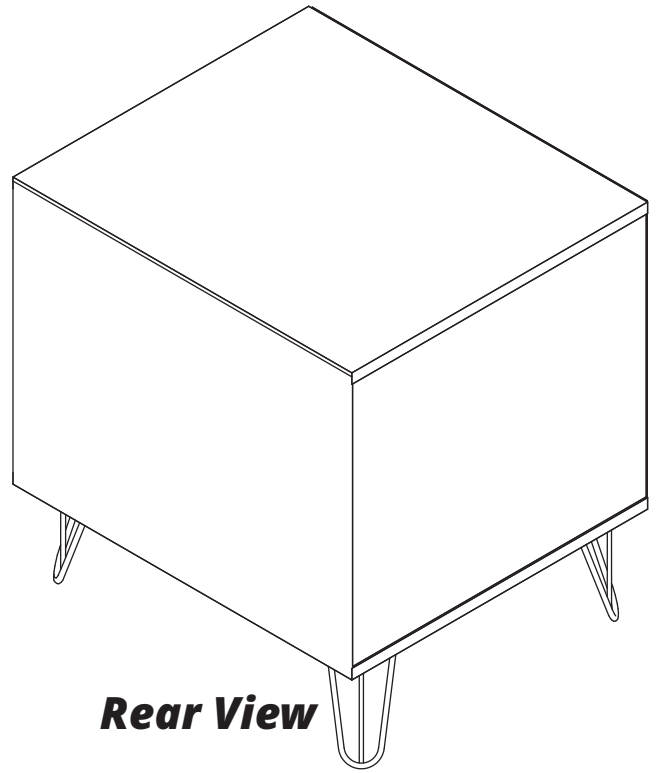


⊕ Phillips screw driver

⊘ Screw driver



Front View

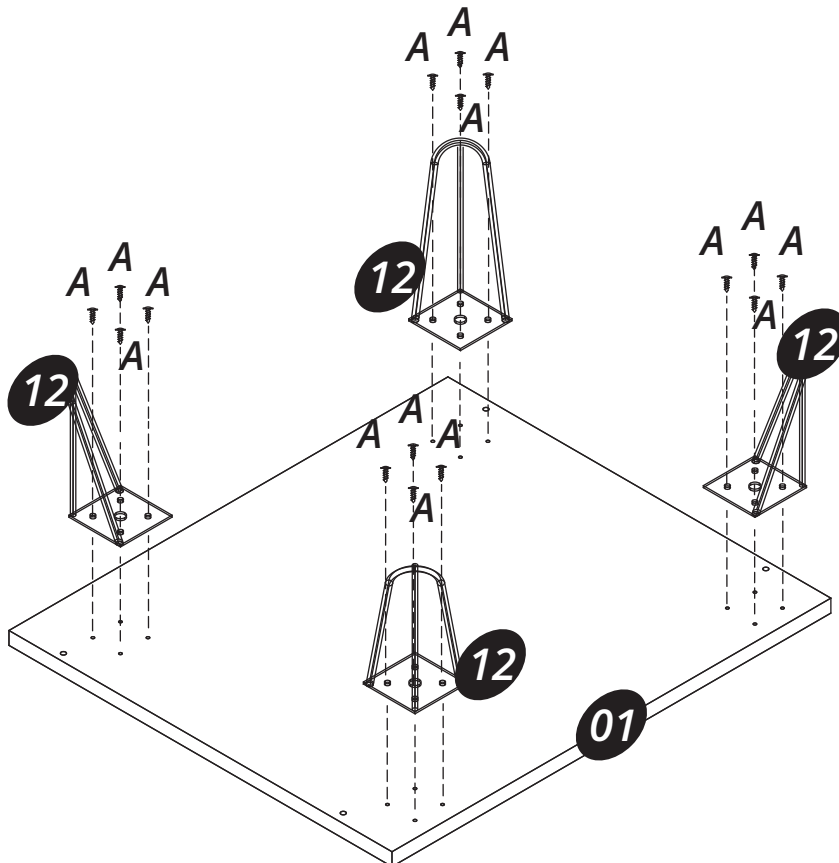


Rear View



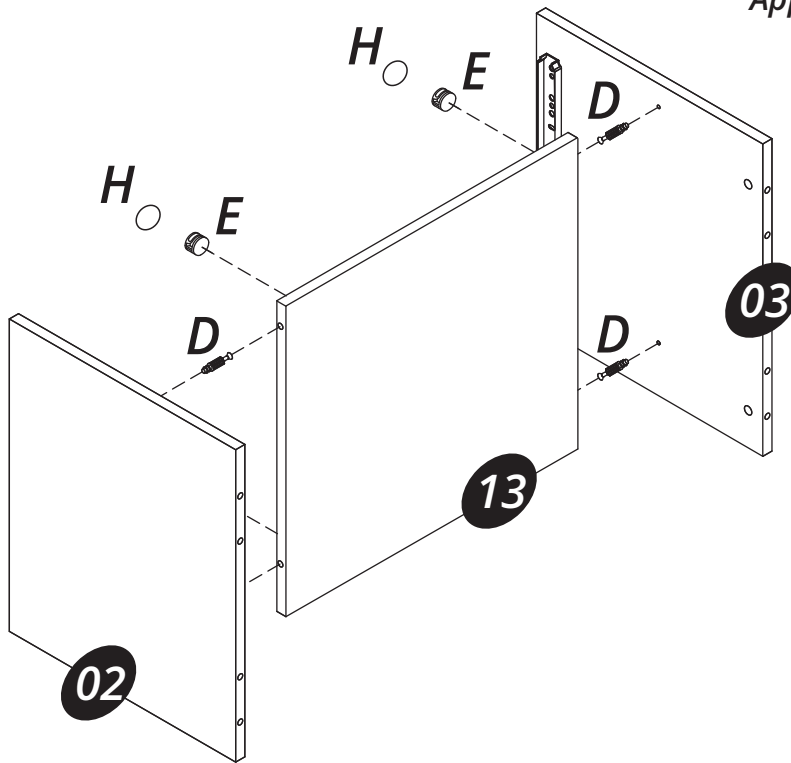
Step 01

Fix the parts (12) under the part (01) with the hardware (A).



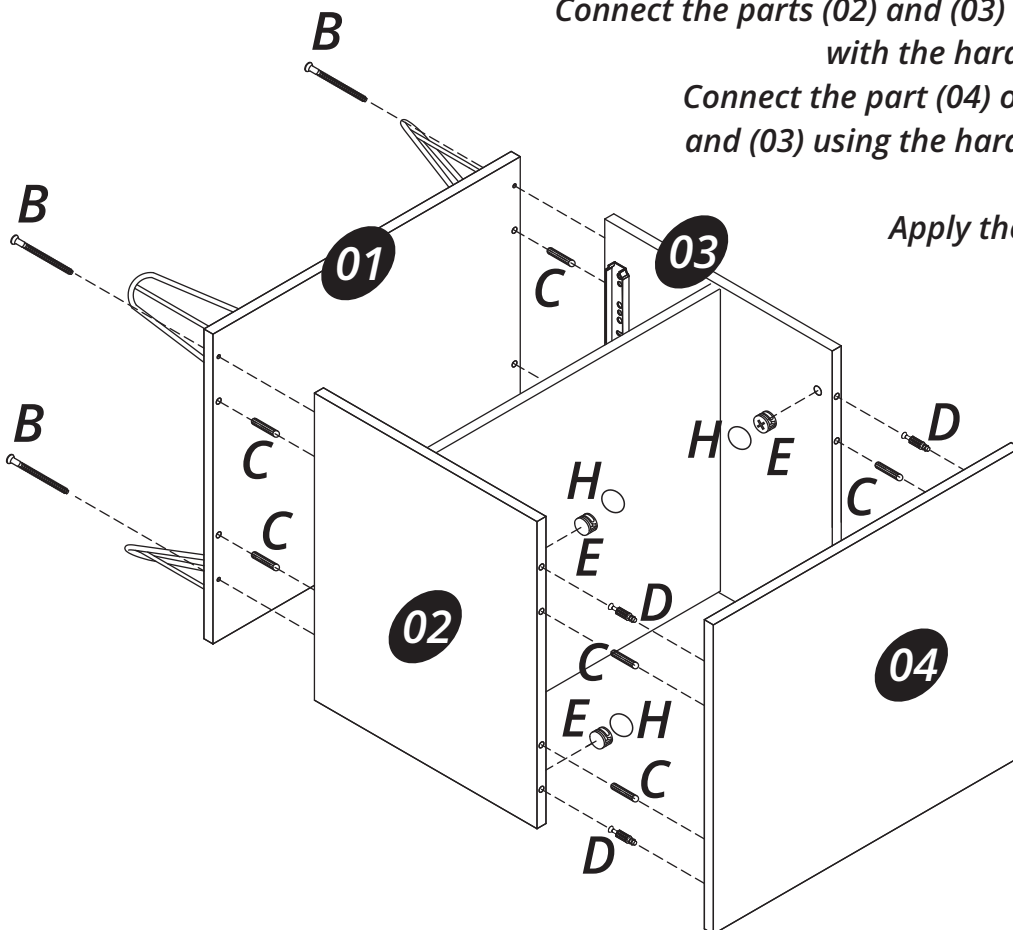
Step 02

Connect the part (13) onto the parts (02) and (03) with the hardware (D + E).
Apply the hardware (H) on the hardware (E).



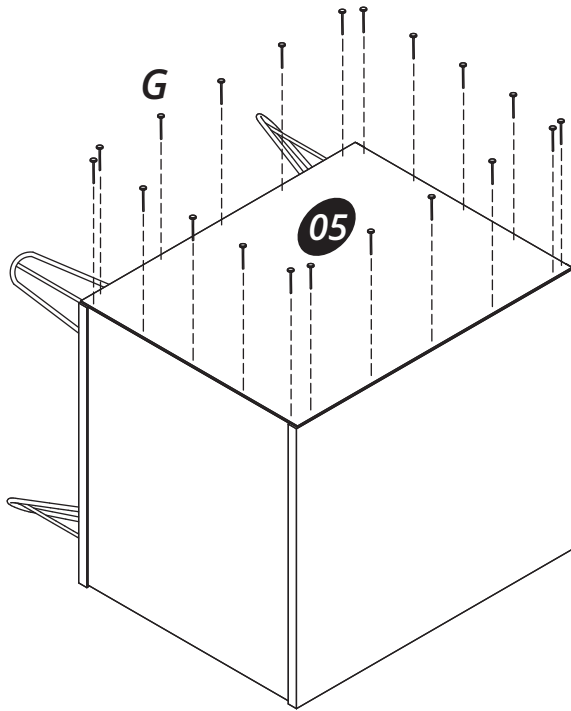
Step 03

Connect the parts (02) and (03) onto the part (01) with the hardware (C) and (B).
Connect the part (04) onto the parts (02) and (03) using the hardware (C) and the hardware (D + E).
Apply the hardware (H) on the hardware (E).



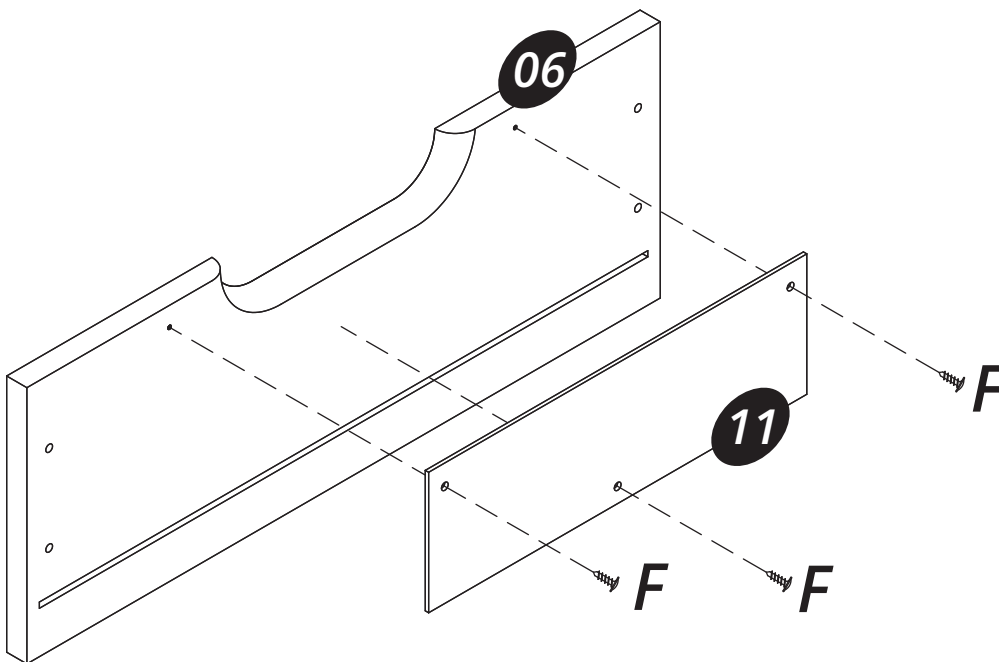
Step 04

*Connect the part (05)
with the hardware (G).*



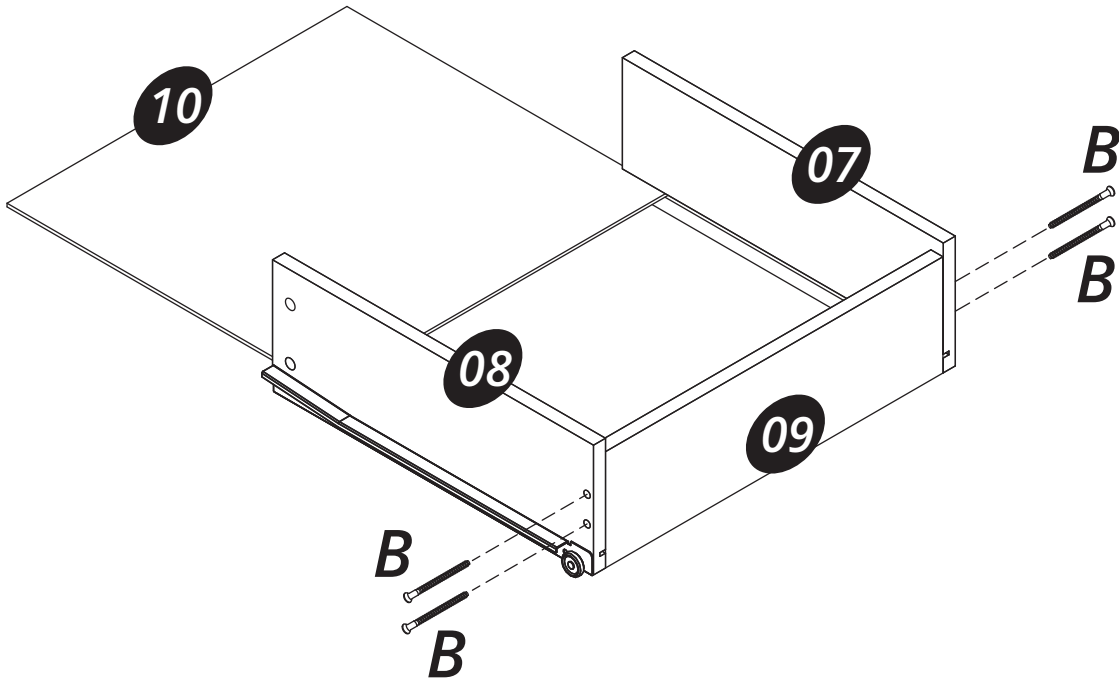
Step 05

*Connect the part (11) onto
the part (06) with
the hardware (F).*



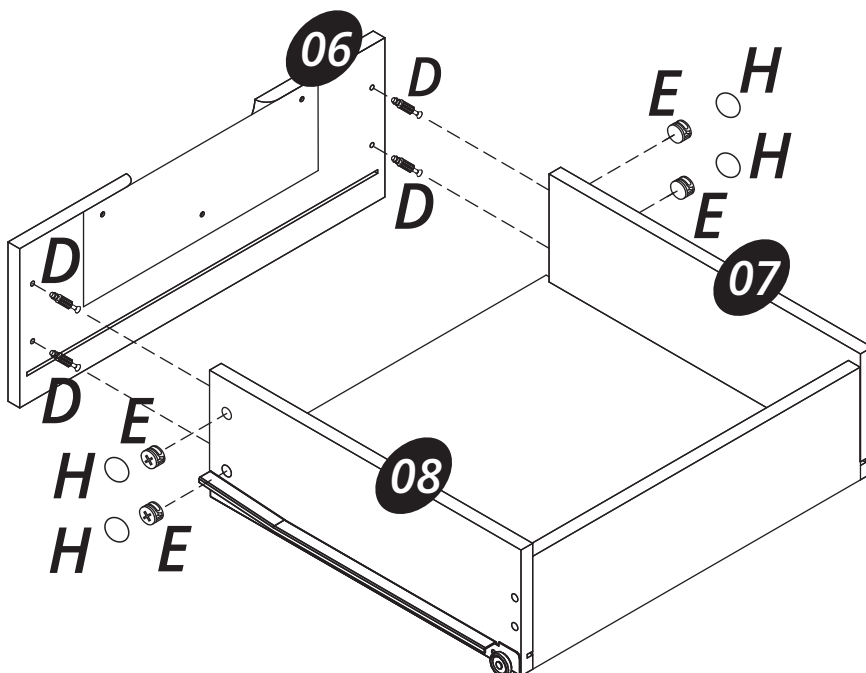
Step 06

Connect the parts (07), (08) and (09) with the hardware (B).
Apply the part (10) in the groove of the parts (07) and (08) until the groove of the part (09).



Step 07

Connect the parts (07), (08) and (06) using the hardware (D + E).
Apply the hardware (H) on the hardware (E).



Step 08

Install the drawer fitting it into the slides fixed on the side of parts (02) and (03).

