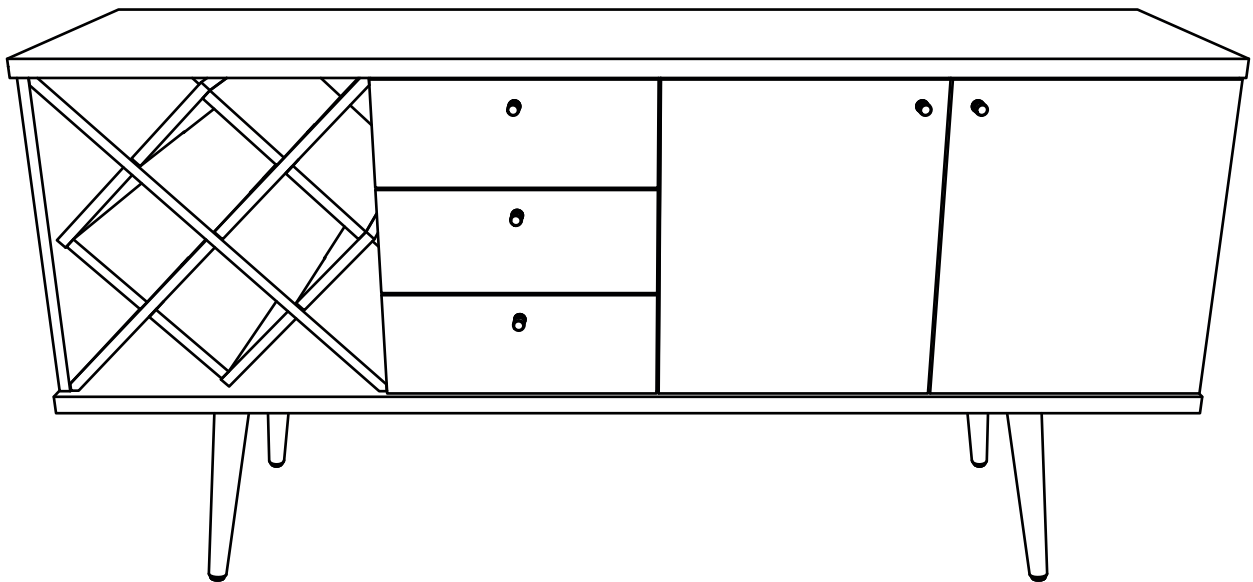




MANHATTAN
COMFORT

ASSEMBLY INSTRUCTIONS



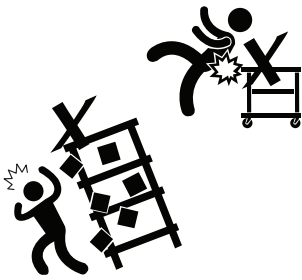
COD:1010400

REV. 00

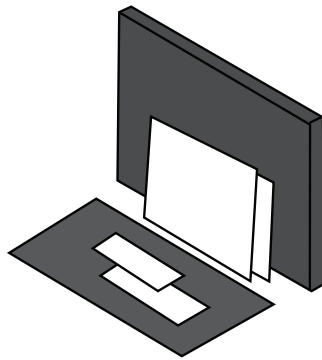
IMPORTANT REMARKS



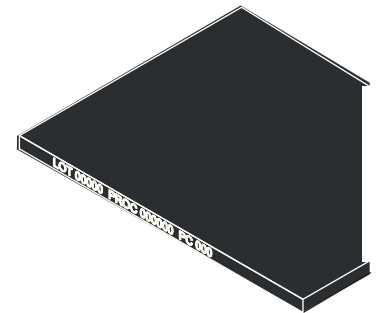
Never climb or lean on the furniture. You may suffer serious accidents.



Use the packaging to cover the assembly area and separate all parts.



Identify the parts by observing the number printed on their edges.



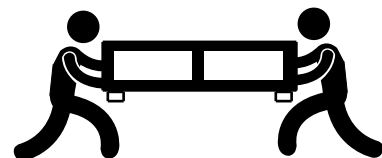
CARE INSTRUCTIONS



Wipe clean using a damp cloth and a mild cleaner. Do not use abrasive and chemical products.



HANDLING

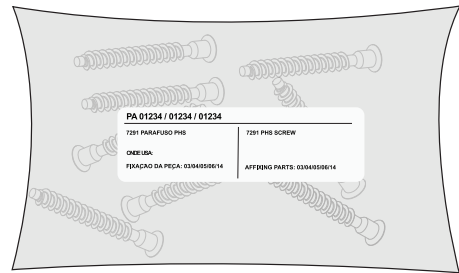


Move the piece carefully, don't drag it. Ask for someone else's help to do so.

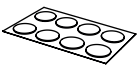
HARDWARE



Identify and separate the hardware used in the assembly. There's a label on each package identifying the parts and where to use them.

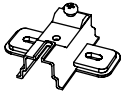


STICKER-4x



A

COD. 4462-4x



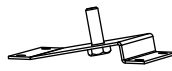
B

COD. 1668-52x



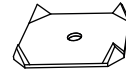
C

COD. 8471-4x



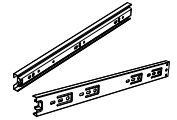
D

COD. 0342-3x



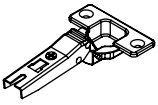
E

COD. 2661-3x



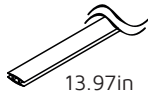
F

COD. 2511-4x



G

PROFILE H-1x



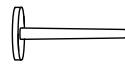
H

PROFILE H-1x



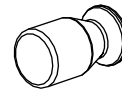
I

COD. 0357-40x



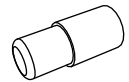
J

COD. 9328-5x



K

COD. 0338-8x



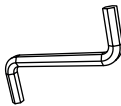
L

COD. 0494-10x



M

COD. 7292-1x



N

COD. 7291-8x



O

COD. 0599-10x



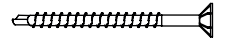
P

COD. 1533-24x



Q

COD. 3527-16x



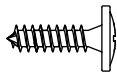
R

COD. 7519-16x



S

COD. 8056-16x



T

COD. 6533-12x



U

COD. 7350-3x

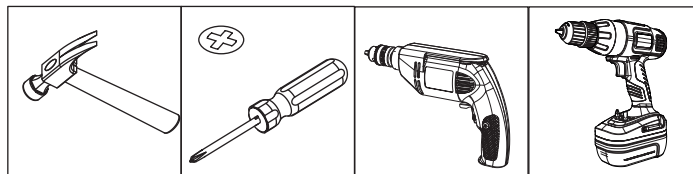


V

COD. 3187-2x

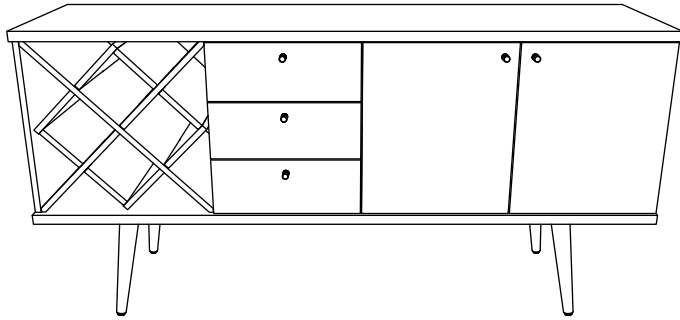


X

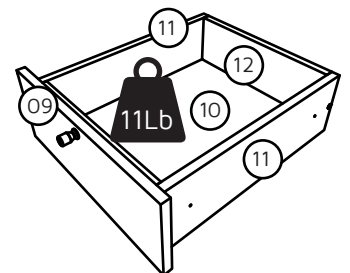
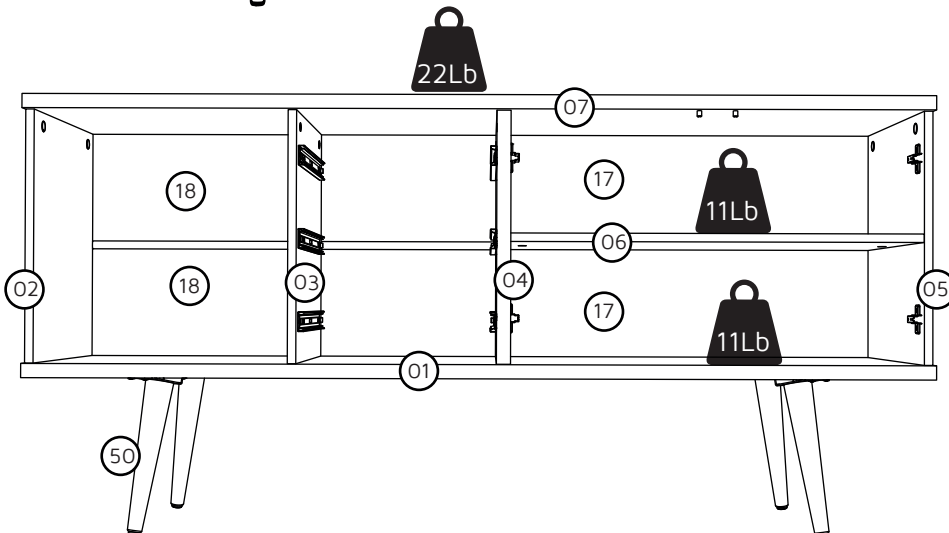
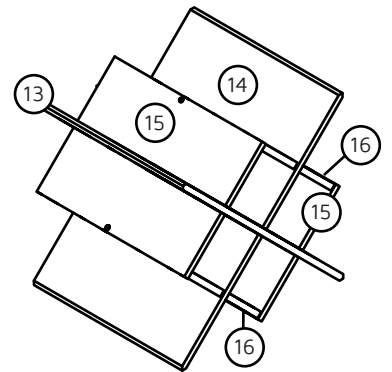
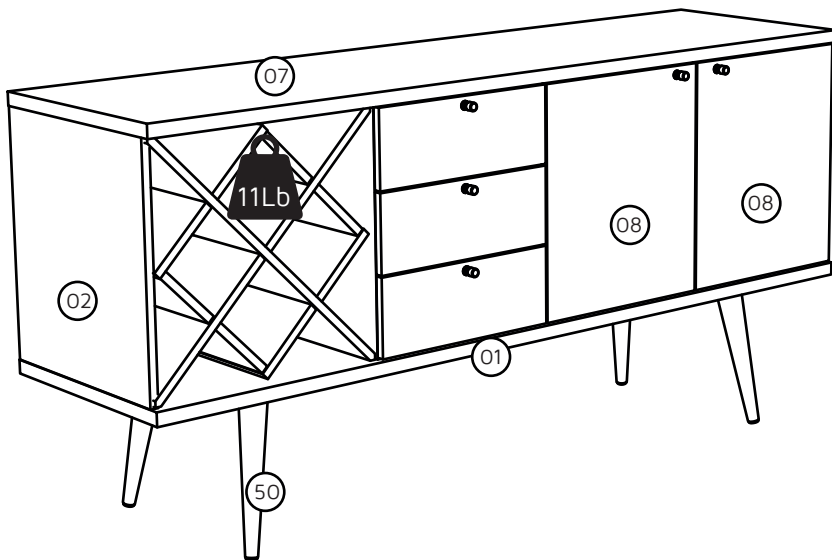


DESCRIPTION

W:72.32 inches H:63.43 inches D: 15.27 inches
L:1837mm A:1611mm P:388 mm



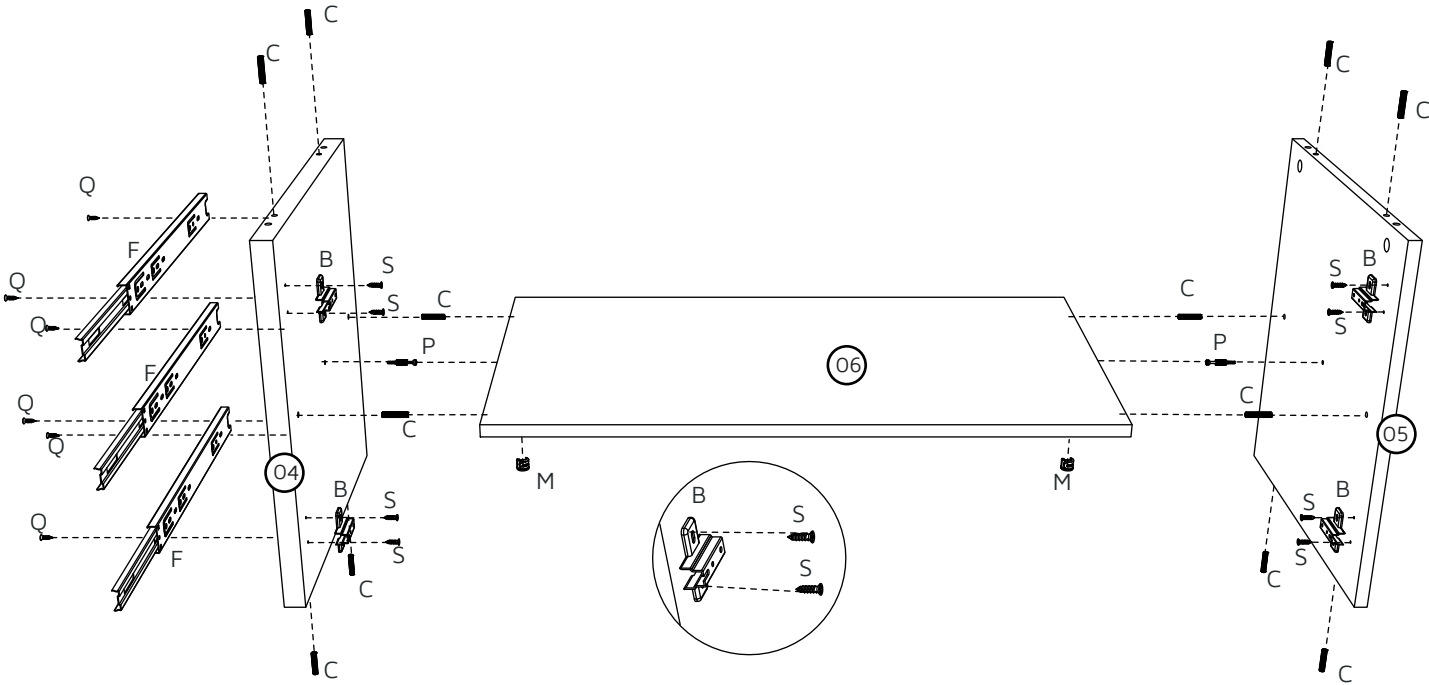
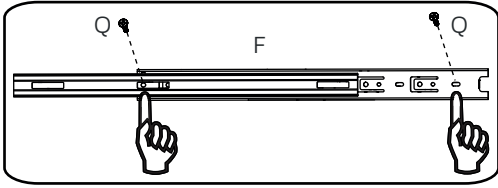
CÓD:1010400			
PART	QUANTITY	DESCRIPTION	BOX
01	01	BASE	01
02	01	LEFT OUTER SIDE	01
03	01	LEFT INNER SIDE	01
04	01	RIGHT INNER SIDE	02
05	01	RIGHT OUTER SIDE	01
06	01	DIVIDER	02
07	01	TOP BOARD	01
08	02	DOOR	01
09	03	DRAWER FRONT	01
10	03	DRAWER BOTTOM	01
11	06	DRAWER SIDE	02
12	06	DRAWER BACK PANEL	02
13	01	LARGE OUTER PART	02
14	01	SHORT OUTER PART	02
15	02	LARGE INNER PART	02
16	02	SHORT INNER PART	02
17	02	BACKSIDE	01
18	02	BACKSIDE	01
50	04	LEG	02



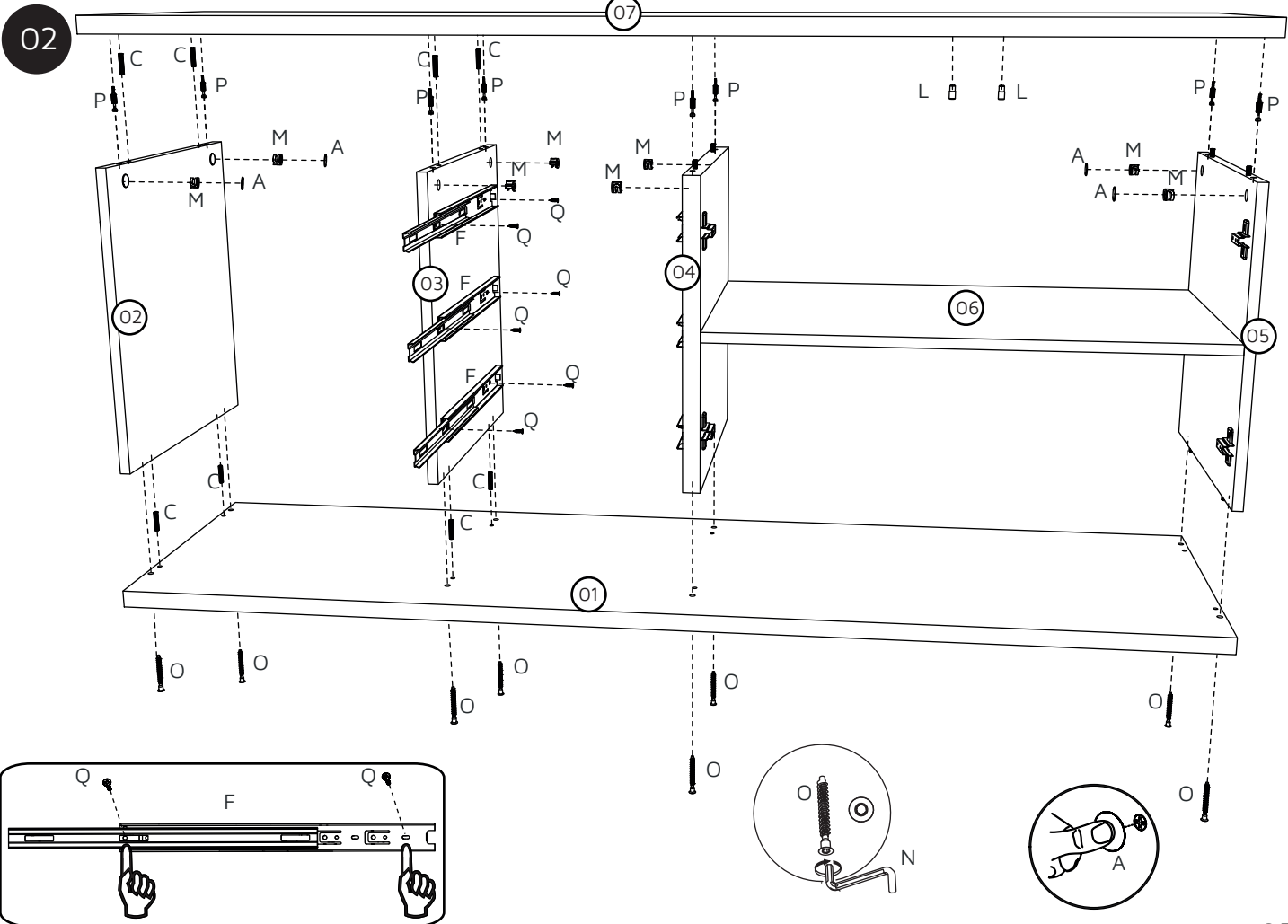
STICKER A	COD. 4462 B	COD. 1668 C	COD. 2661 F	COD. 0338 L	COD. 0494 M	COD. 7292 N	COD. 7291 O	COD. 0599 P	COD. 1533 Q
---------------------	-----------------------	-----------------------	-----------------------	-----------------------	-----------------------	-----------------------	-----------------------	-----------------------	-----------------------

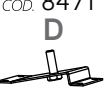



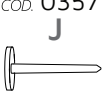
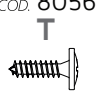
01

COD. 7519 S

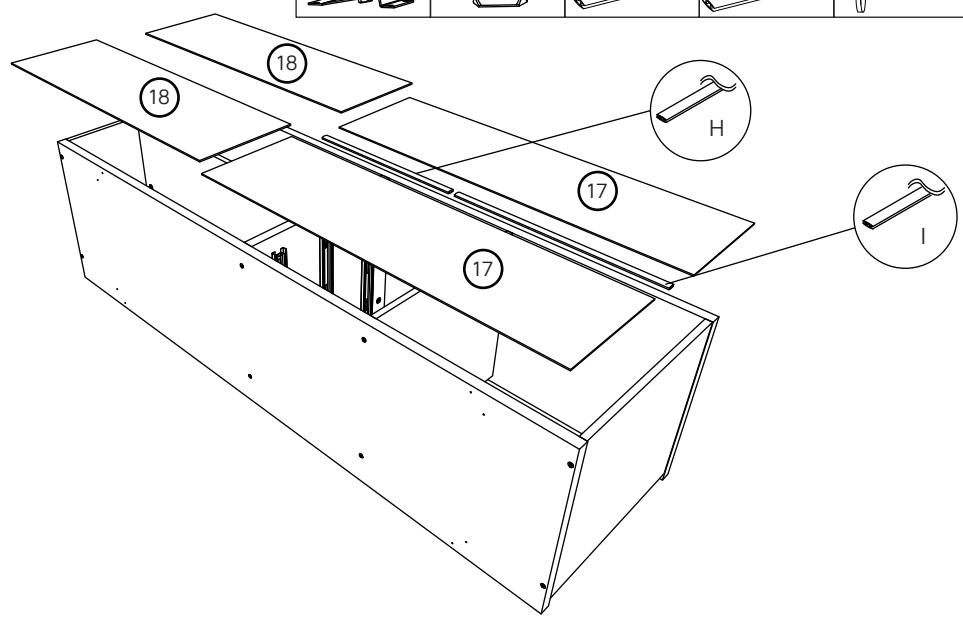


02

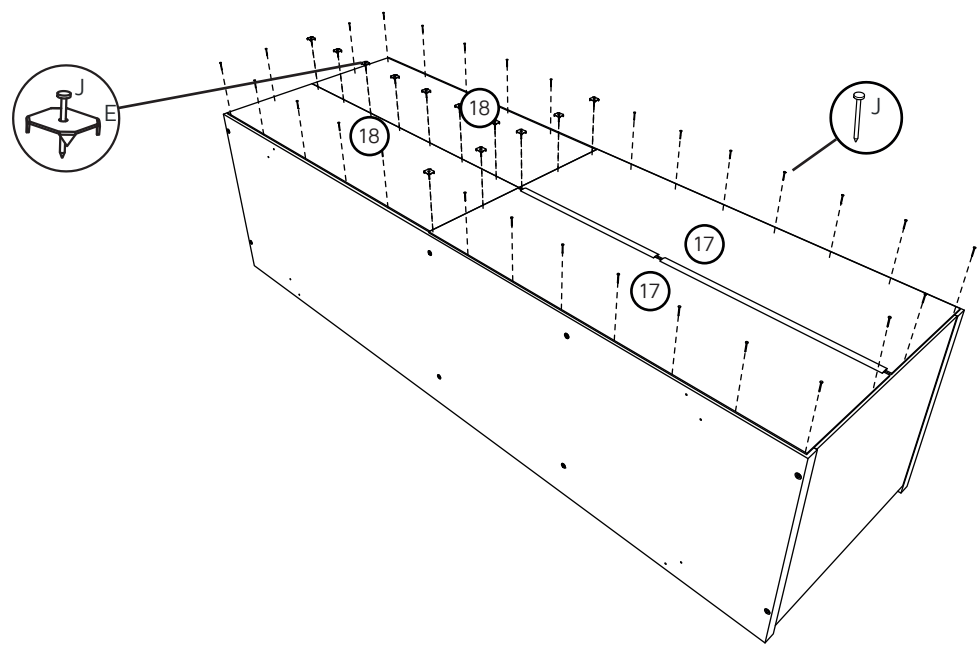


COD. 8471 D 	COD. 0342 E 	PROFILE H 	PROFILE I 	COD. 0357 J 	COD. 8056 T 
---	---	--	---	---	---

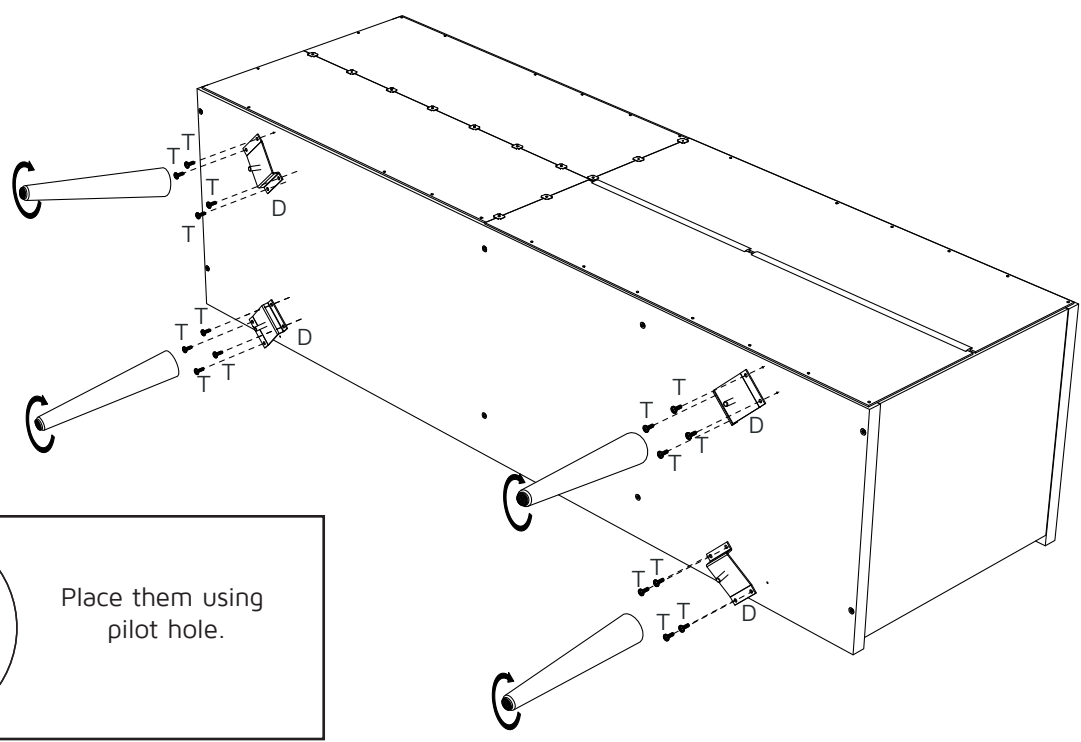
03



04







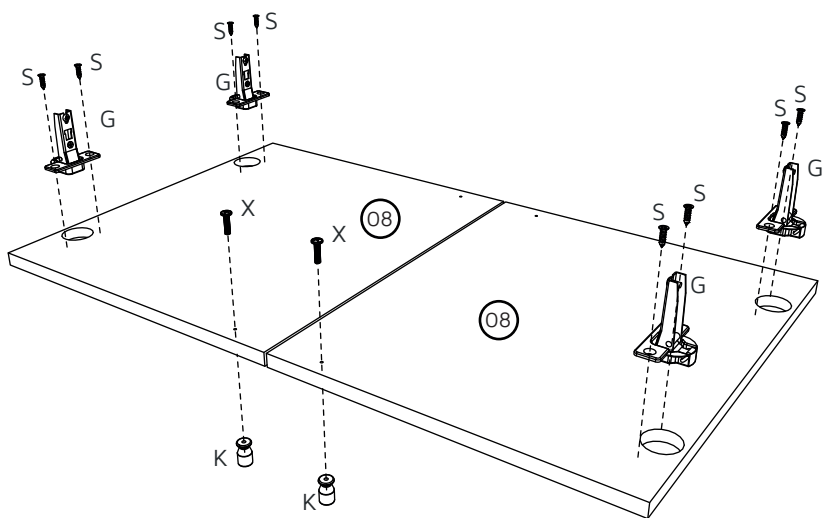
05



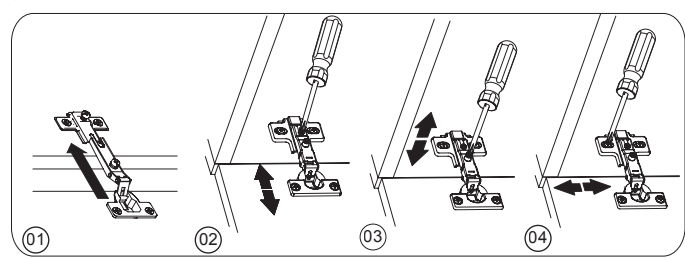
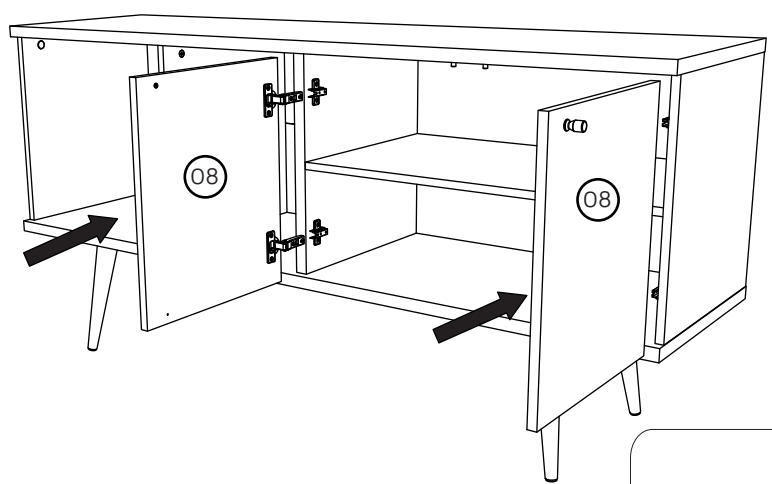
Place them using pilot hole.

08

COD. 2511 G 	COD. 9328 K 	COD. 7519 S 	COD. 3187 X 
--	---	---	---



09



10

