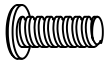


ASSEMBLY INSTRUCTIONS

Kit Contents :-

A. Allen bolt - 8 Pcs B. Spring washer - 8 Pcs C. Flat washer - 8 Pcs D. Allenkey - 1 Pcs



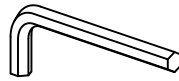
40x6 MM



2 x 12 MM

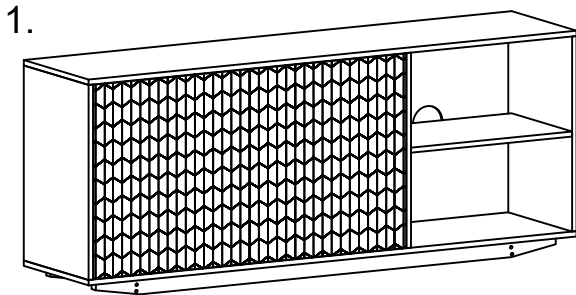


2 x 20 MM

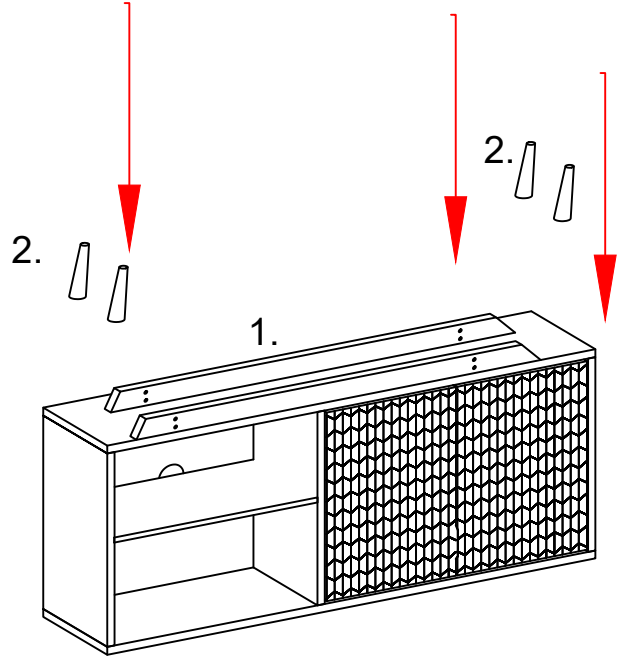


Ref	Description	Qty
①	TVC Top	1
②	Wooden Leg	4 PCS

1. Components

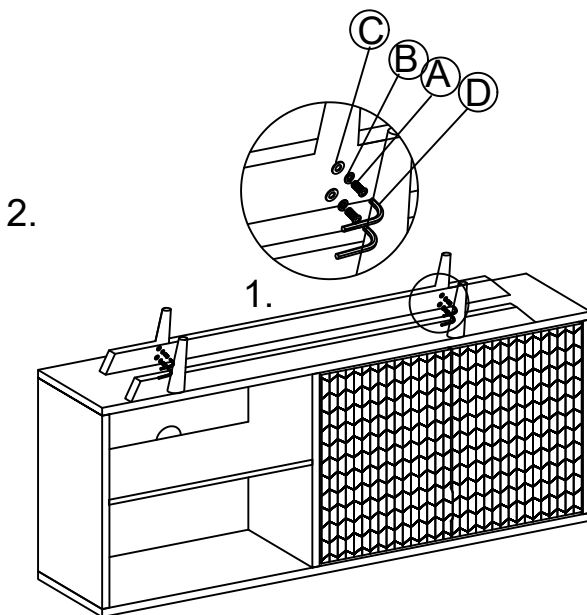


2.

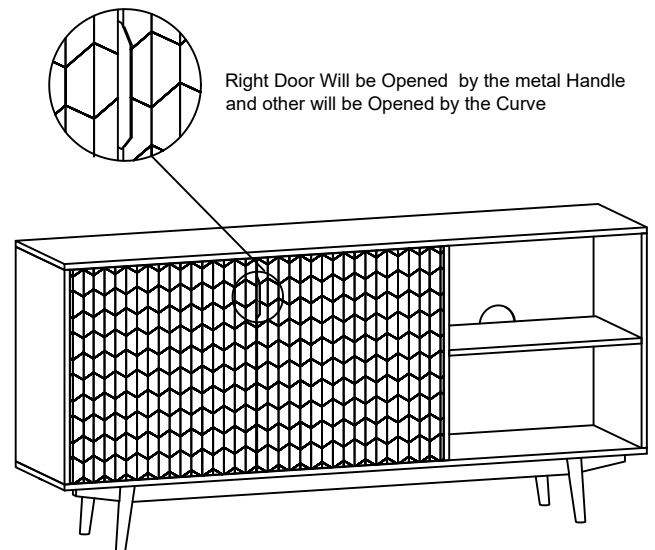


NOTE : Place TVC top on clean,dry surface to prevent damage to top

3.



4.



Your TV Cabinet is Now Ready to Use