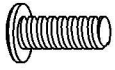


ASSEMBLY INSTRUCTIONS

Kit contents :-

A Allen bolt - 8 pcs **B** Spring washer - 8 pcs **C** Flat washer - 8pcs **D** Allen key - 1pcs



6x40mm



2x12mm

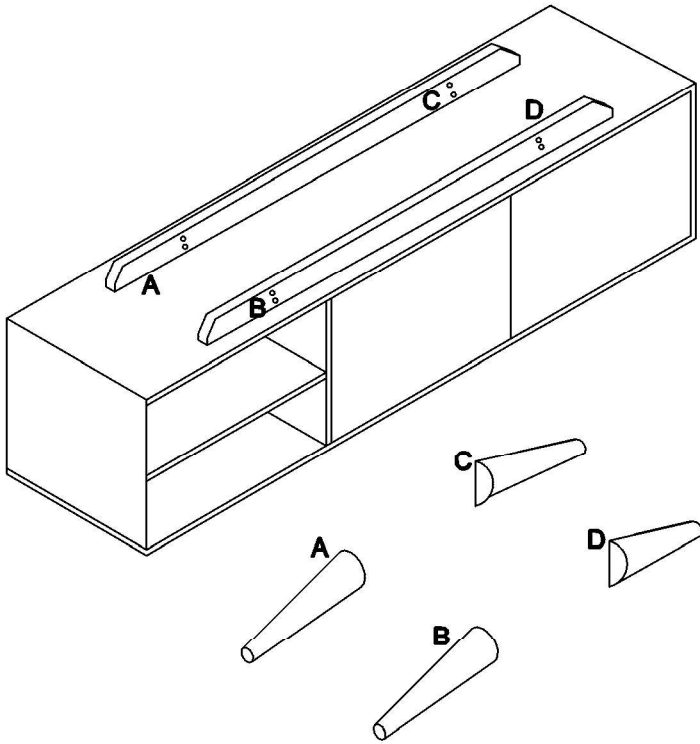


2x16mm

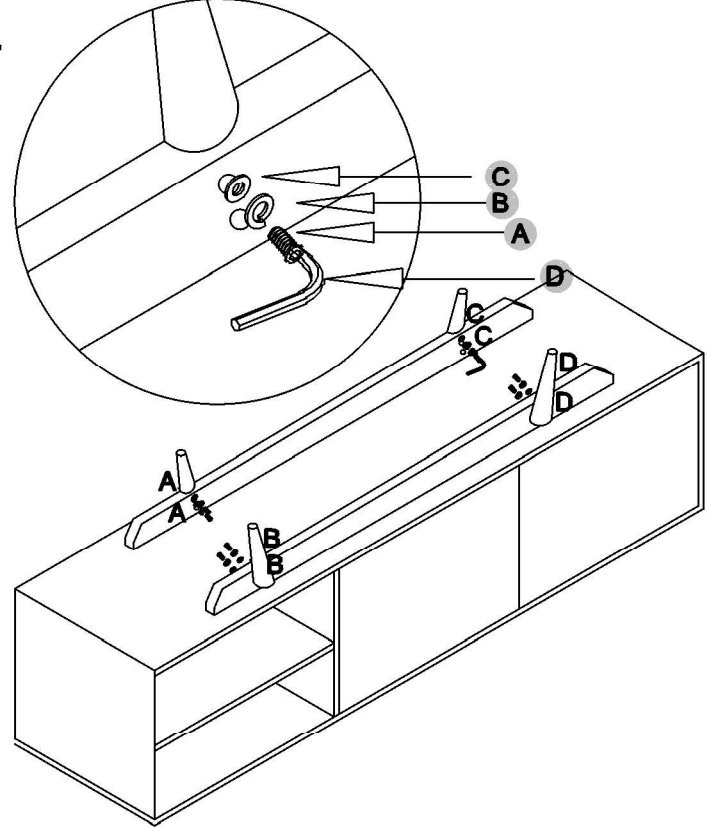


Ref	Description	Qty
1	TV Cabinet top	1 pcs
2	Leg	4 pcs

1.

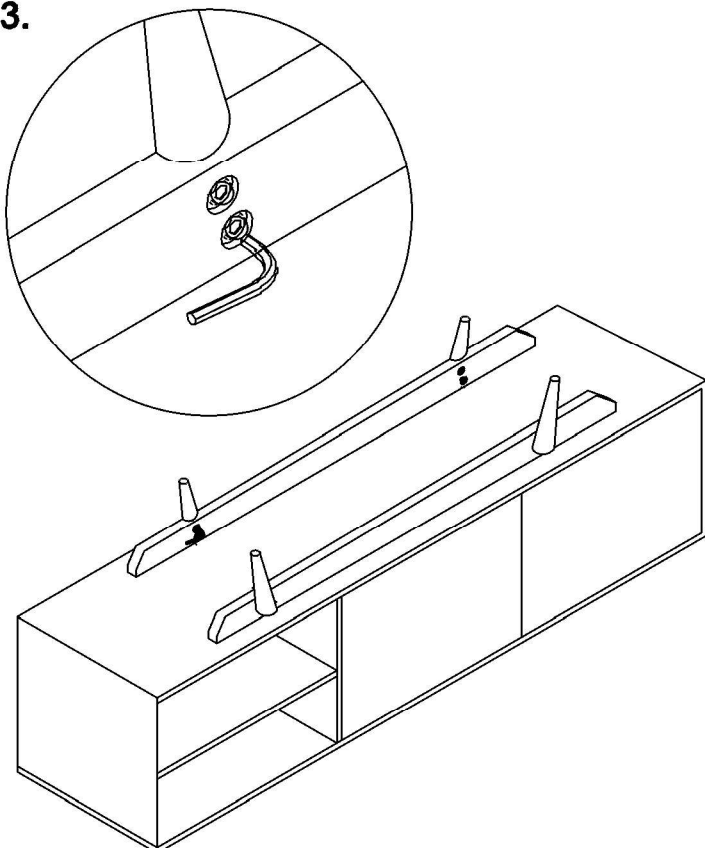


2.

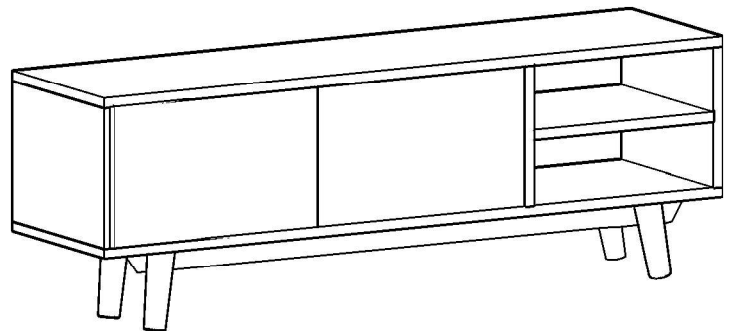


NOTE : Place TV media unit top on a clean, dry surface to prevent damage to top

3.



4.



Your TV media unit is ready to use