

# ASSEMBLY INSTRUCTIONS

## Kit Contents :-

1. Screws - 4 Pcs



4 x 12 MM

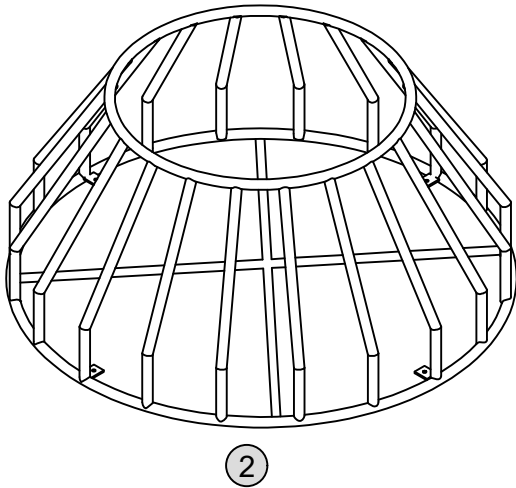
2. Washer - 4 Pcs



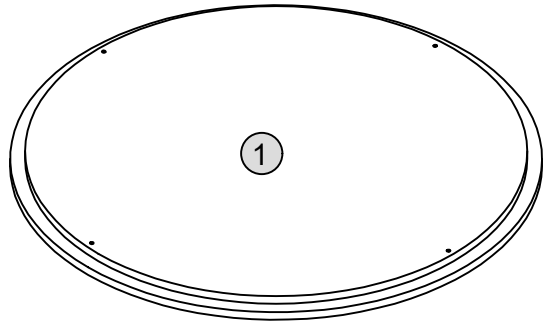
Ref	Description	Qty
①	Marble Top	1
②	Iron Base	1

1.

### Components

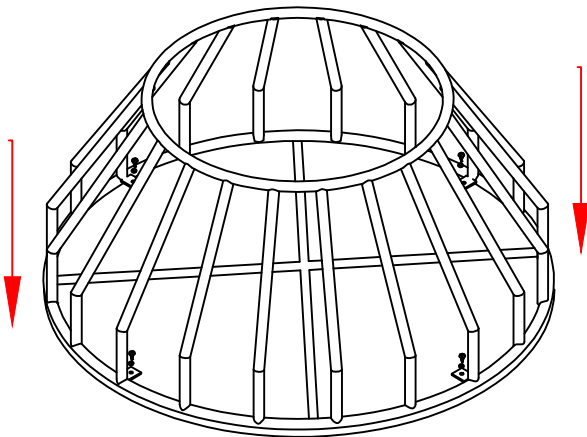


ALTHOUGH IT IS NOT NECESSARY TO SCREW TOP WITH THE BASE BUT CUSTOMER CAN CHOOSE TO DO SO

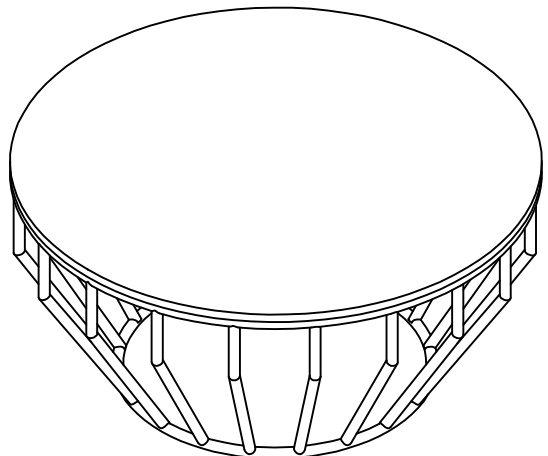


Marble Top With 6 mm MDF

2.



3.



Your Coffee Table is Now Ready to Use