



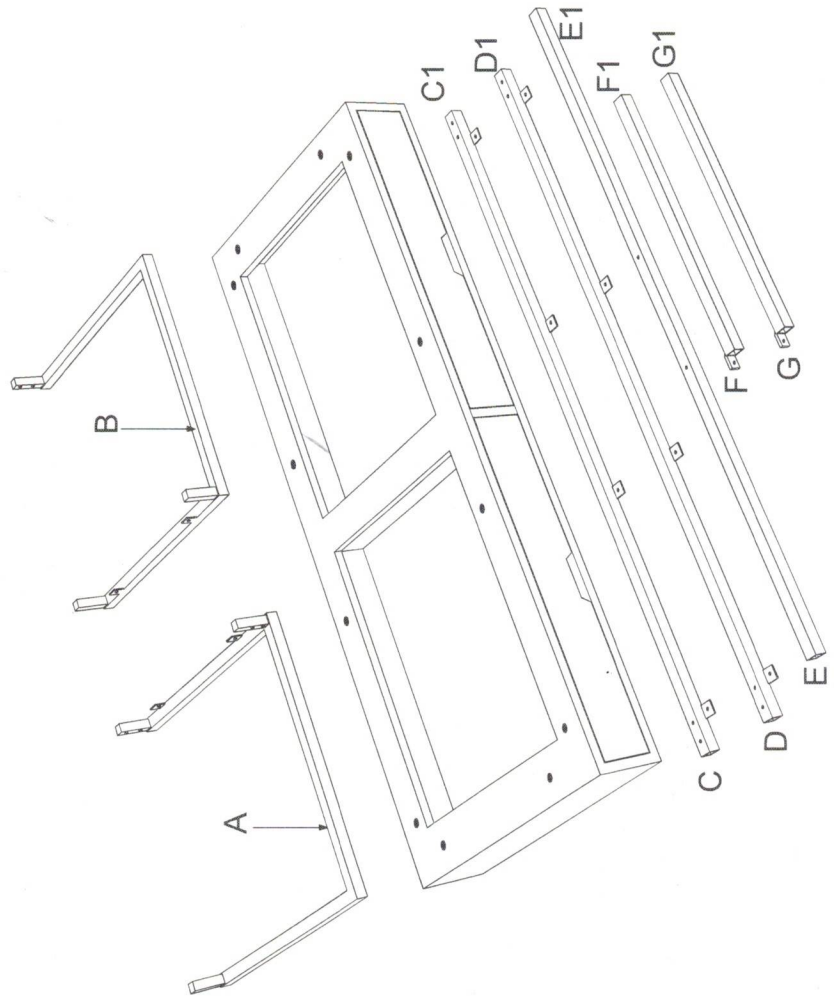


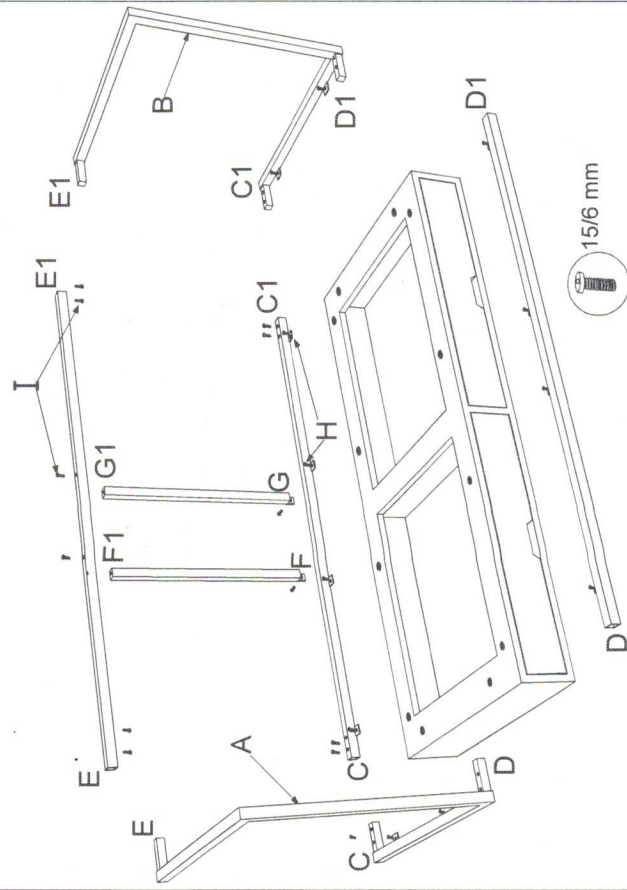
ASSEMBLY INSTRUCTION OF CH04-57-110

KIT CONTENTS		DESCRIPTION	
JCB Allen Bolts 15 x 6 mm	 H	12 Nos.	H- Bolt for metal frame to wood top connecting
Washer OD16/ID6 mm		12 Nos.	
JCB Allen Bolts 25 x 6 mm	 I	16 Nos.	I- Bolt for metal frame part connecting
Allen Key 4 mm		1 Nos.	
			Desk with metal base
		Top	1 Nos.
		Metal Legs	1 Nos. (7 part)

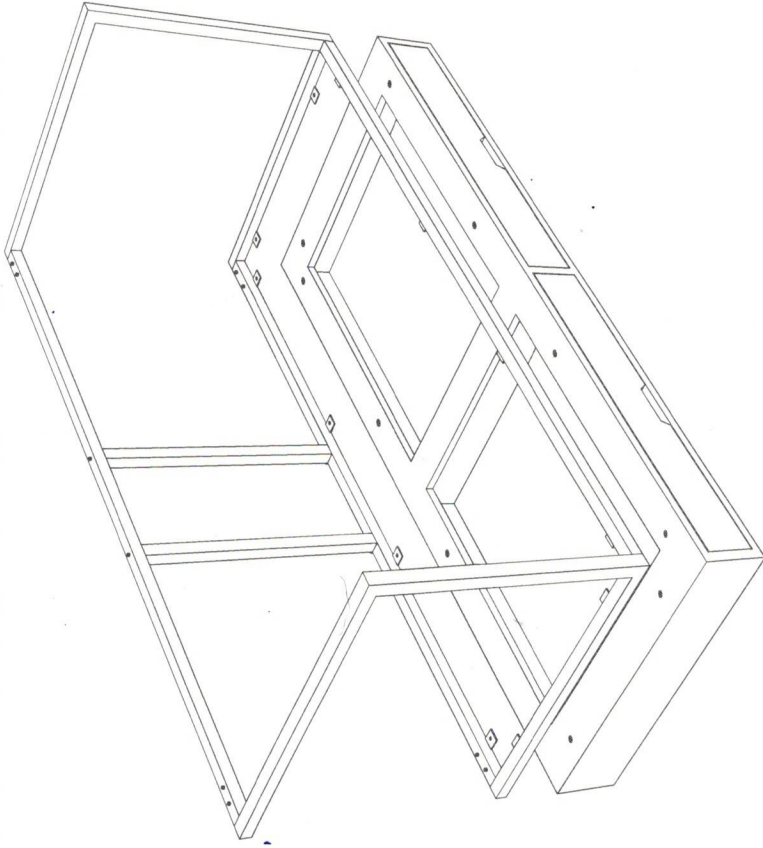
Step :- 1



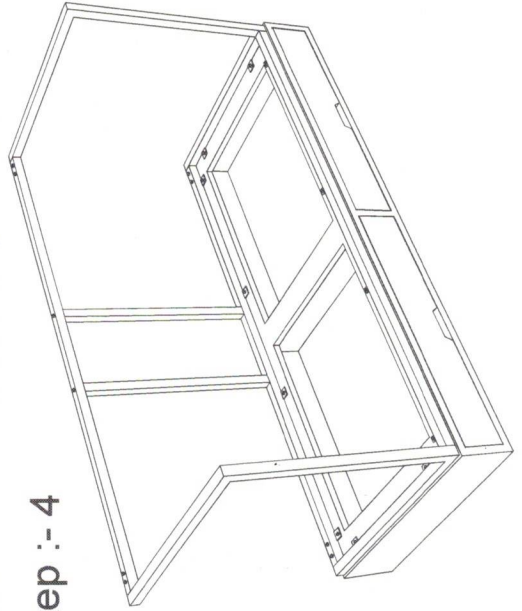
Step :- 2



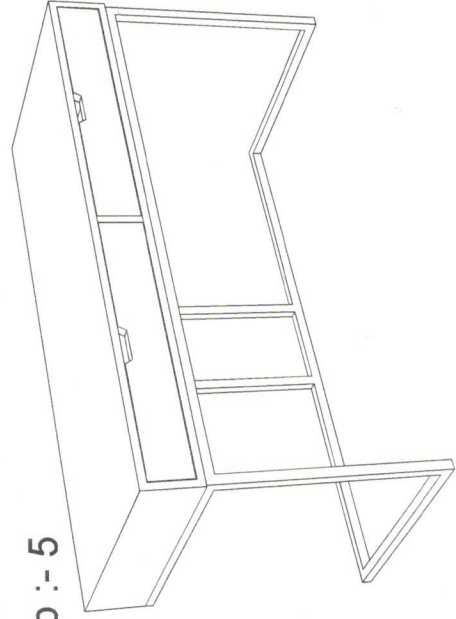
Step :- 3



Step :- 4



Step :- 5



Your Desk is now ready for use