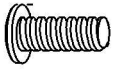


ASSEMBLY INSTRUCTIONS

Kit Contents :-

Ref	Description	Qty
①	Box Top	1
②	Leg	2

● **A** Allen bolt - 6 Pcs
● **B** Spring washer - 6 Pcs
● **C** Flat washer - 6 Pcs
● **D** Allenkey - 1 Pcs



6 x 25MM



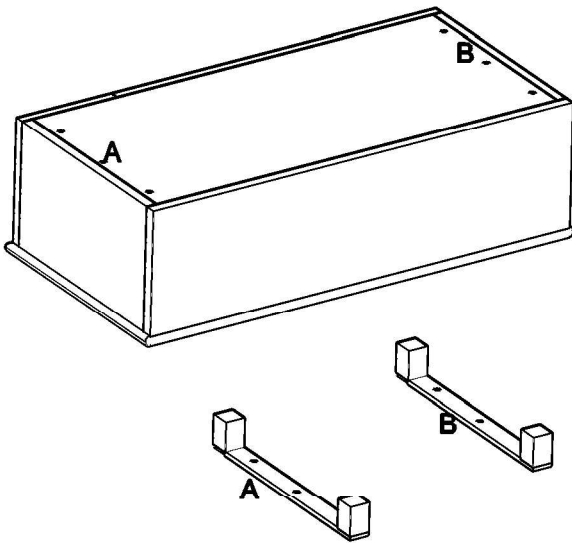
2 x 12 MM



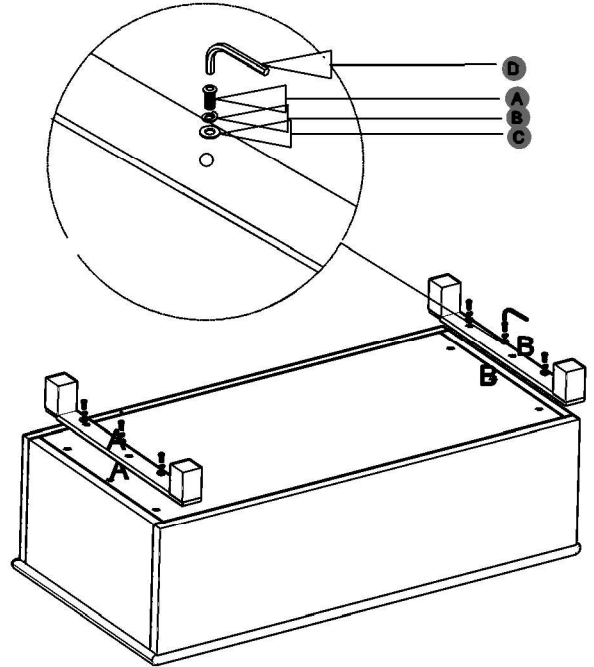
2 x 16 MM



1. Components

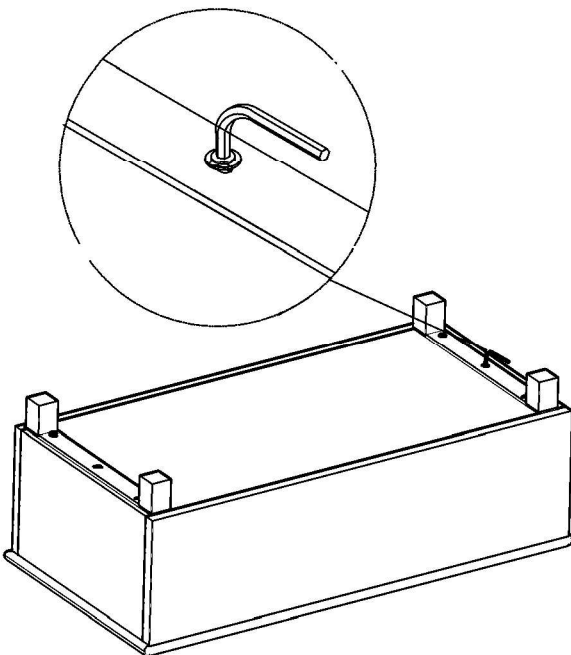


2.

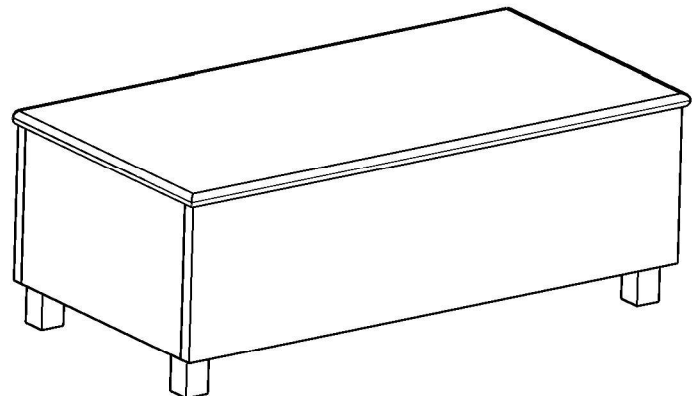


NOTE : Place trunk top on a clean, dry surface to prevent damage to top

3.



4.



Your Trunk is Now Ready to Use