

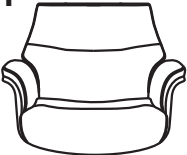









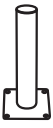

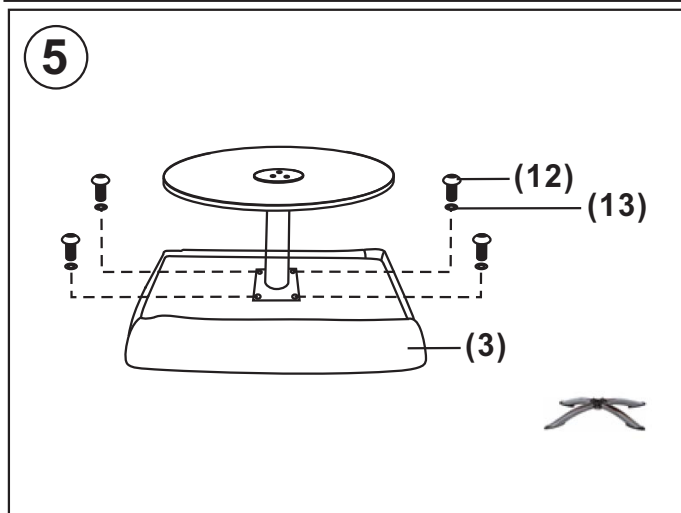
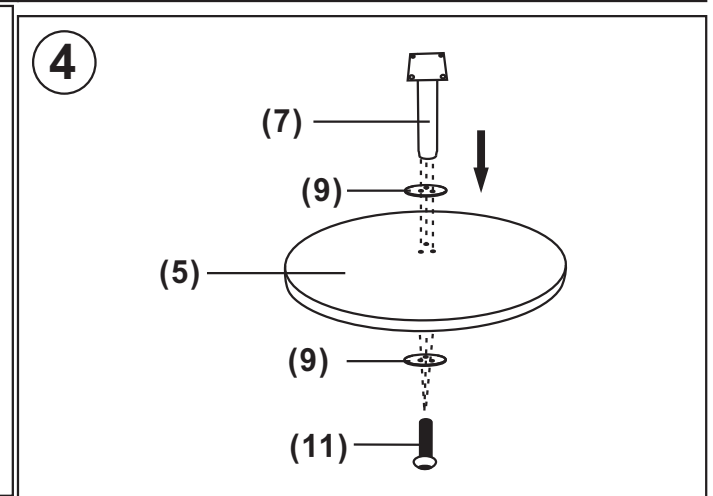
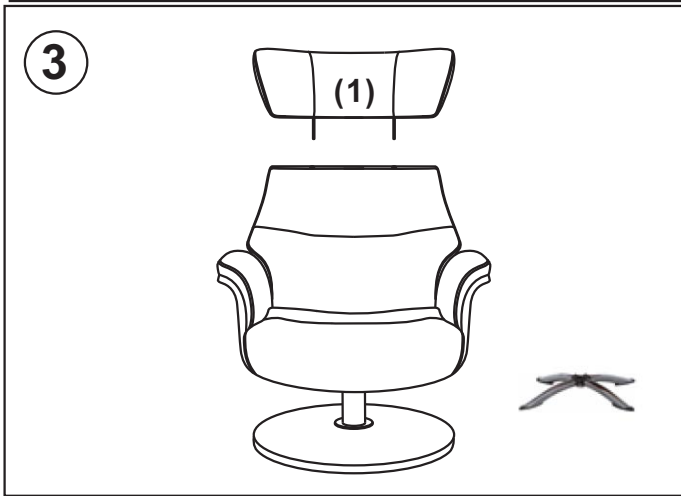
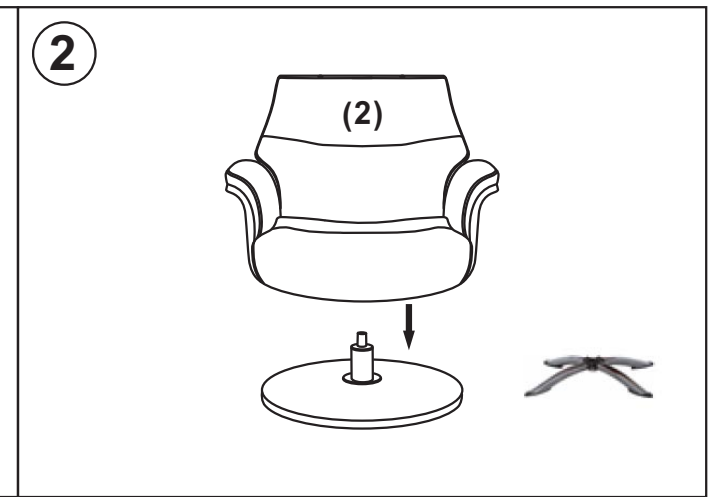
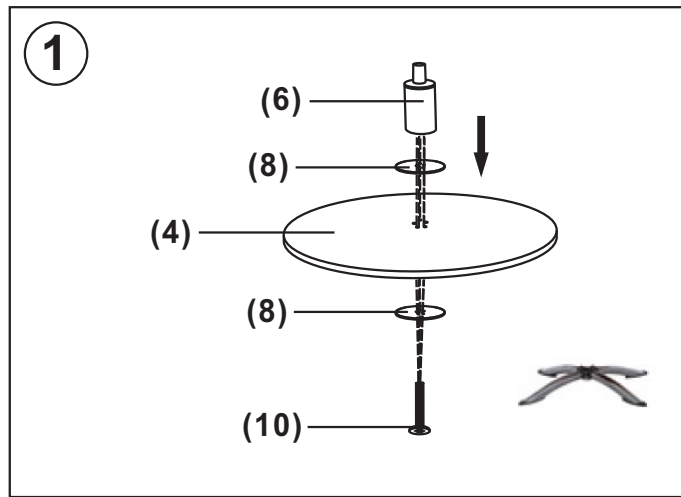


<p><b>(1)X1</b></p>  <p>U1 headrest</p>	<p><b>(8)X2</b></p>  <p>M8 plates</p>
<p><b>(2)X1</b></p> <p>U2a back U2b seat UW2c arm frame</p> 	<p><b>(9)X2</b></p>  <p>M9 plates</p>
<p><b>(3)X1</b></p>  <p>U3 ottoman cushion</p>	<p><b>(10)X5</b></p>  <p>M10 bolt</p>
<p><b>(4)X1</b></p>  <p>W4 chair base</p>	<p><b>(11)X3</b></p>  <p>M11 bolt</p>
<p><b>(5)X1</b></p>  <p>W5 ottoman base</p>	<p><b>(12)X4</b></p>  <p>M12 bolt</p>
<p><b>(6)X1</b></p>  <p>M6 center column</p>	<p><b>(13)X4</b></p>  <p>M13 washer</p>
<p><b>(7)X1</b></p>  <p>M7 ottoman frame support</p>	<p><b>(14)X1</b></p>  <p>M14 allen wrench</p>

M10-14 Hardware kit



**6**




Comford Chair

**#765**