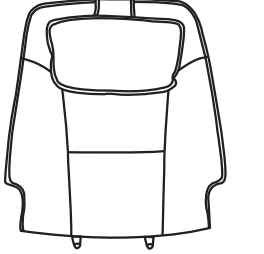

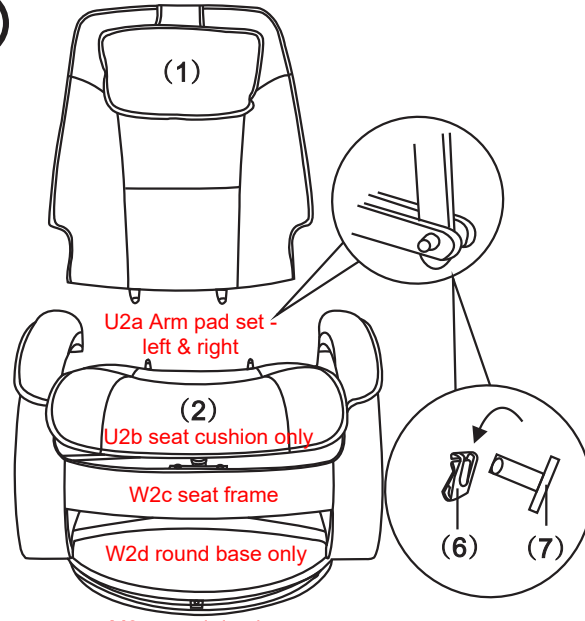
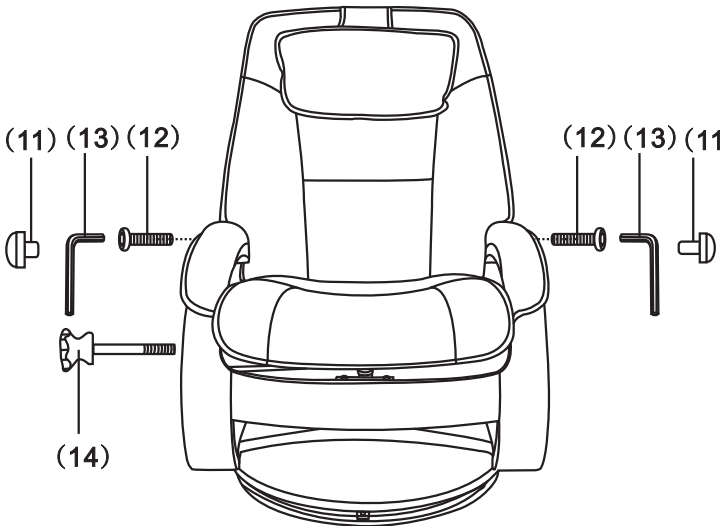
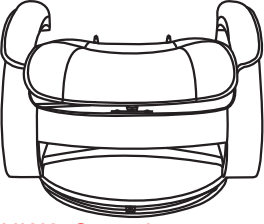



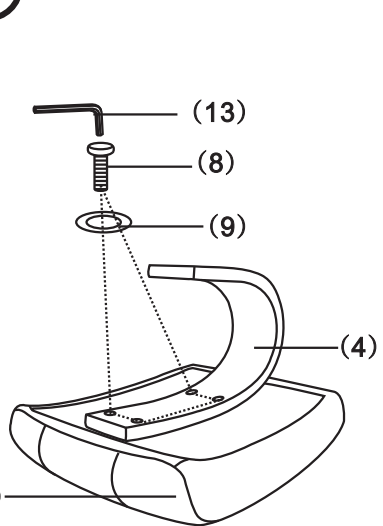
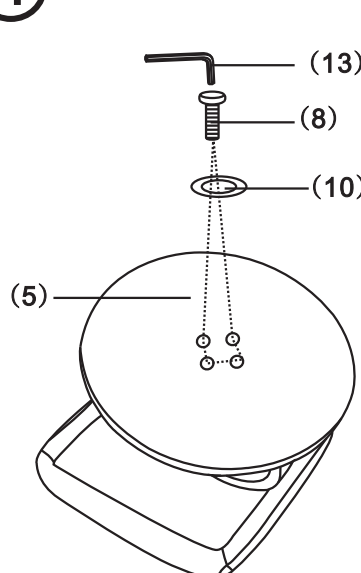


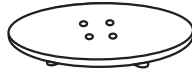





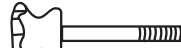


M6-13 Complete Hardware kit
Individual part skus below

<p>(1)X1 U1 Complete back</p> 	<p>(6)X2 M6 key</p> 	<p>1</p>  <p>U2a Arm pad set - left & right U2b seat cushion only W2c seat frame W2d round base only M2e metal ring base</p>	<p>2</p>  <p>(11) (13) (12) (12) (13) (11) (14)</p>
<p>(2)X1 See diagram for individual parts</p>  <p>UW2 Complete seat</p>	<p>(7)X2 M7 pin</p> 		
<p>(3)X1</p>  <p>U3 Ottoman cushion</p>	<p>(8)X8 M8 ottoman bolt</p> 	<p>3</p>  <p>(13) (8) (9) (4) (3)</p>	<p>4</p>  <p>(13) (8) (10) (5)</p>
<p>(4)X1</p>  <p>W4 Ottoman curved wood connector</p>	<p>(9)X4 M9 washer set</p> 		
<p>(5)X1</p>  <p>W5 Ottoman base only</p>	<p>(10)X4 M10 washer set</p> 	<p>5</p> 	<p>5</p>
<p>(11)X2 W11 end cap</p> 	<p>(12)X2 M12 chair bolt</p> 		
<p>(13)X1M6 M13 allen wrench</p> 	<p>(14)X1 M14 Rod/Handle</p> 	<p>M15 Mechanism only</p>	

M15 Mechanism only