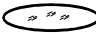




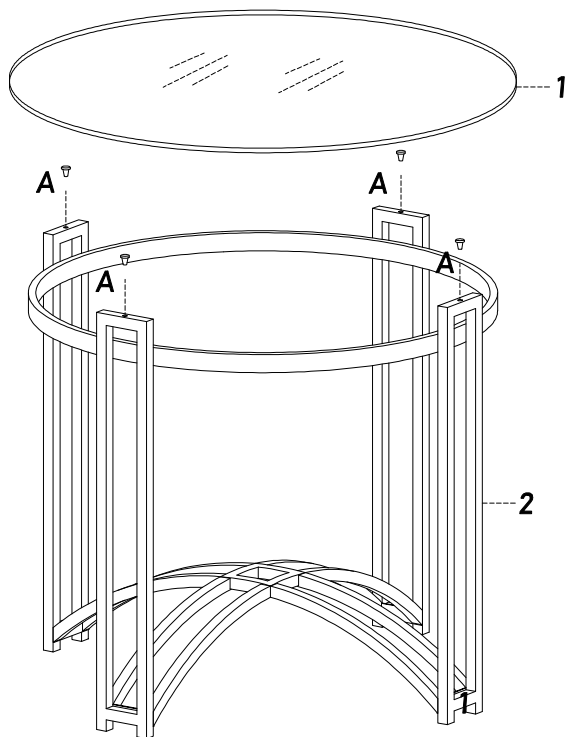
PRODUCT ASSEMBLY INSTRUCTIONS

ITEM: TIBET DINING TABLE

Helpers needed to assemble: 2

Estimate time frame to assemble: 10 minutes

#	Picture	DESCRIPTIONS	Quantity
1		Glass Desktop	1
2		Base	1
A		Glass Pad	4



***Step 1:** Put the Pads (A) on the top of the base (2), then put the glass tabletop on top of the pads.

