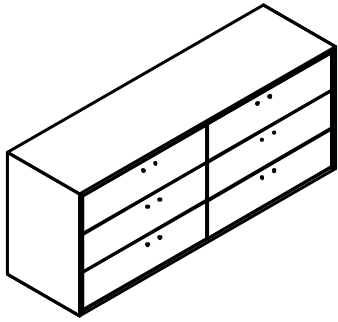
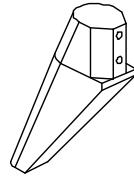


Product Assembly Instructions

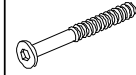
BALY-CH 160-01



A: Chest x1



B: Leg x4



C: Bolt M6*60mm x8



D: Washer x8



E: Allen key x1

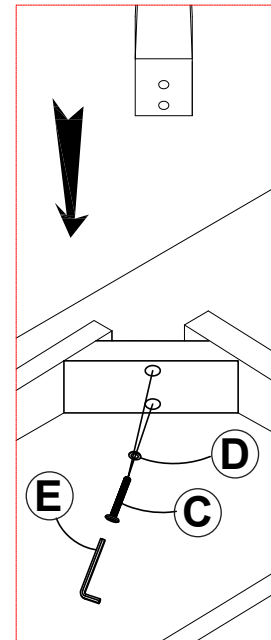
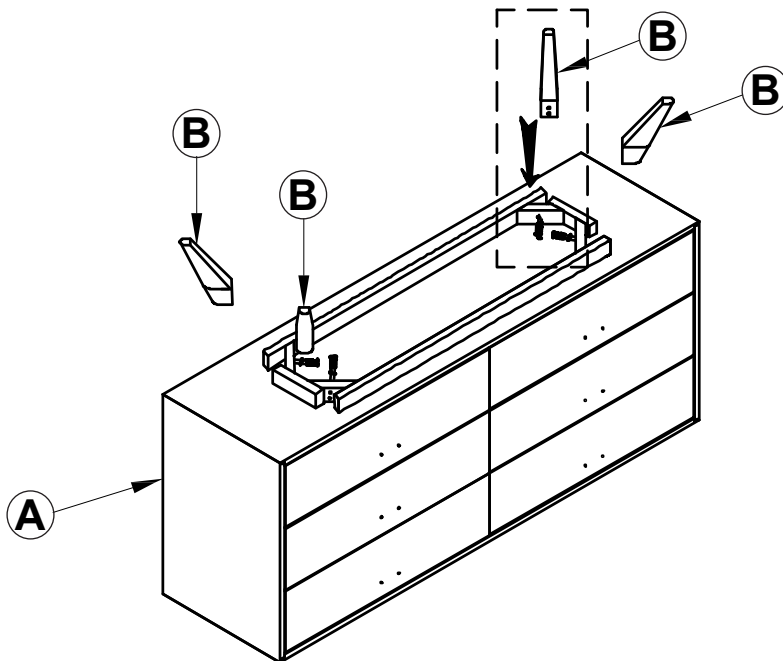


F: Handle x6

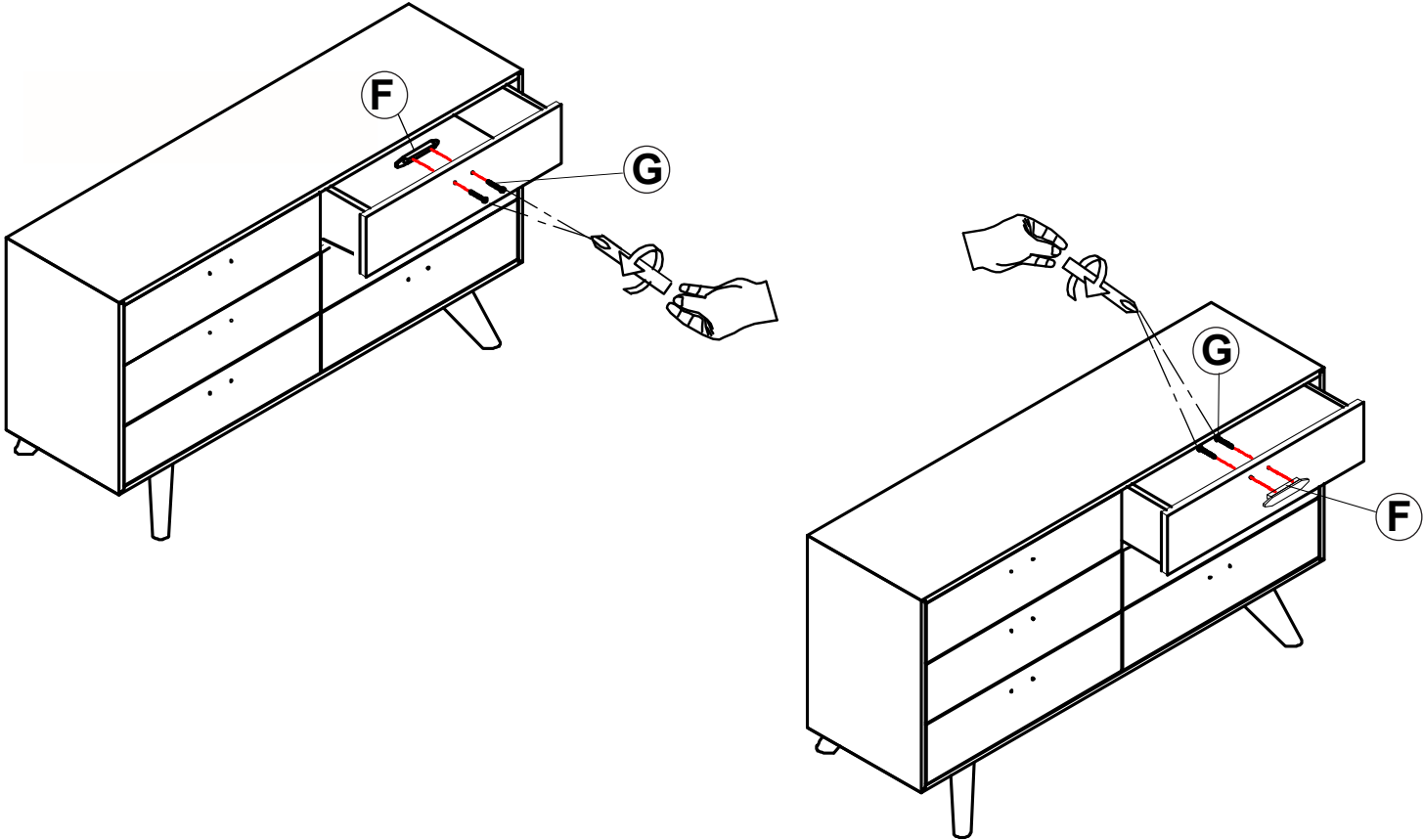


G: Screw M4*15mmx12

STEP 1



STEP 2



STEP 3

