







Product Assembly Instructions

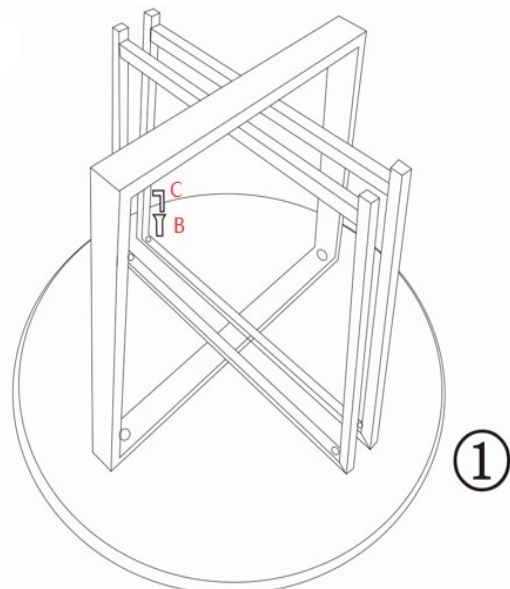
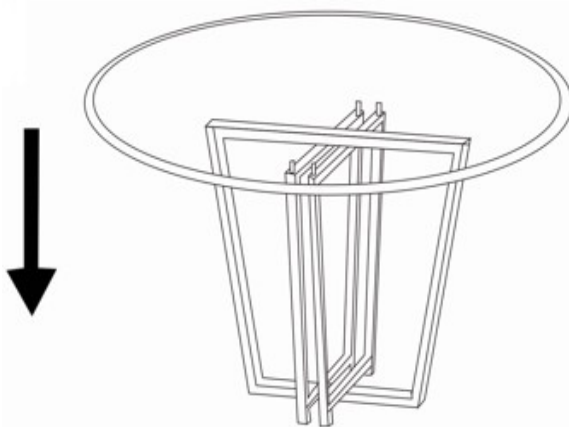
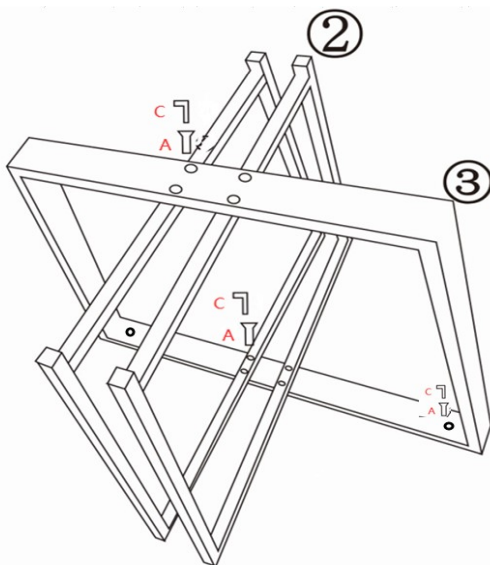
Item#: JOANA DINING TABLE

Helpers needed to assemble: 2

Estimate time frame to assemble: 20 minutes

- Step 1:** Turn the table top & frames over. Place it on the ground where the exterior finish will not be scratched.
- Step 2:** Align the frame(2) into frame (3) as pictured. Use allen key (C) to affix the bolt(A) into each hole. Once the screws are in place, tighten the screws with the allen key until they are firmly attached.
- Step 3:** Align the frame to the bottom of table top (1) as pictured. Use allen key (C) to affix the bolt(B) into each hole. Once the screws are in place, tighten the screws with the allen key until firmly attached.

#	Picture	Description	Quantity
1		Table top	1
2		Frame	2
3		Frame	1
A		Bolts(M8x40)	10
B		Bolts(M8x65)	4
C		Allen Key	1



- Step 4:** Turn it all over and enjoy using your new table.