

Product Assembly Instructions

Item#: DEVI DINING TABLE






Helpers needed to assemble: 2

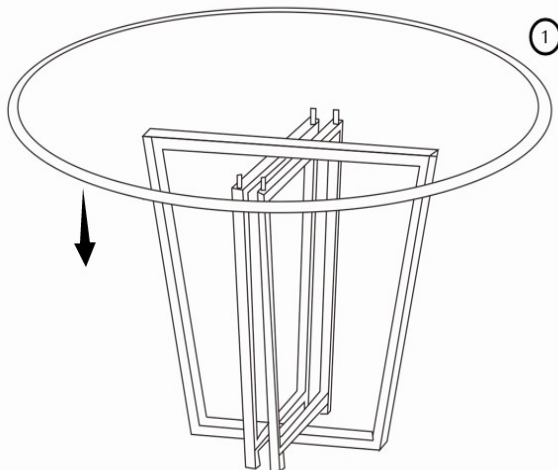
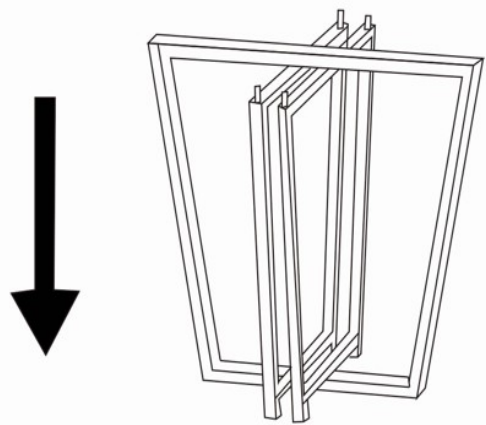
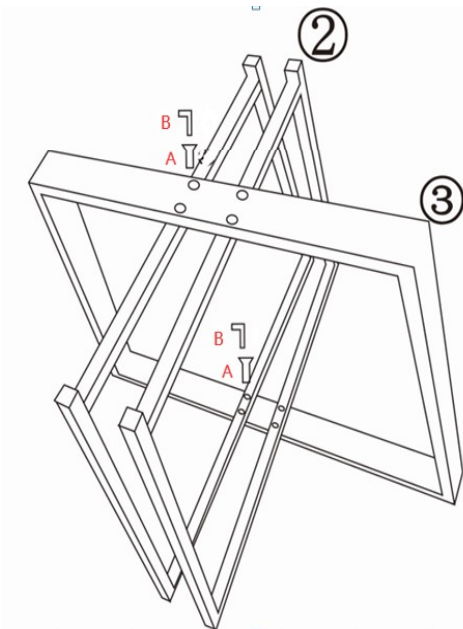
Estimate time frame to assemble: 20 minutes

Step 1: Turn the table over and place it on soft ground, where the exterior finish will not be scratched.

Step 2: Align the frame(2) into frame (3) as picture.

Step 3: Use the allen key (B) to affix the bolt(A) into each hole. Once the screws are in place, tighten the screw with the allen key until it is firmly attached.

#	Picture	Description	Quantity
1		Table top	1
2		Frame	2
3		Frame	1
A		Bolts(M8x40)	8
B		Allen Key	1



Step 4: Turn over the fixed table base, and put the table top(1) on the top of frame.

Step 5: Enjoy using your new table.