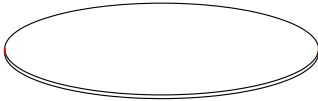
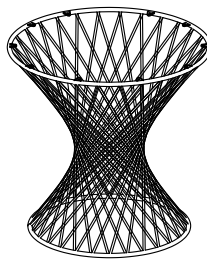


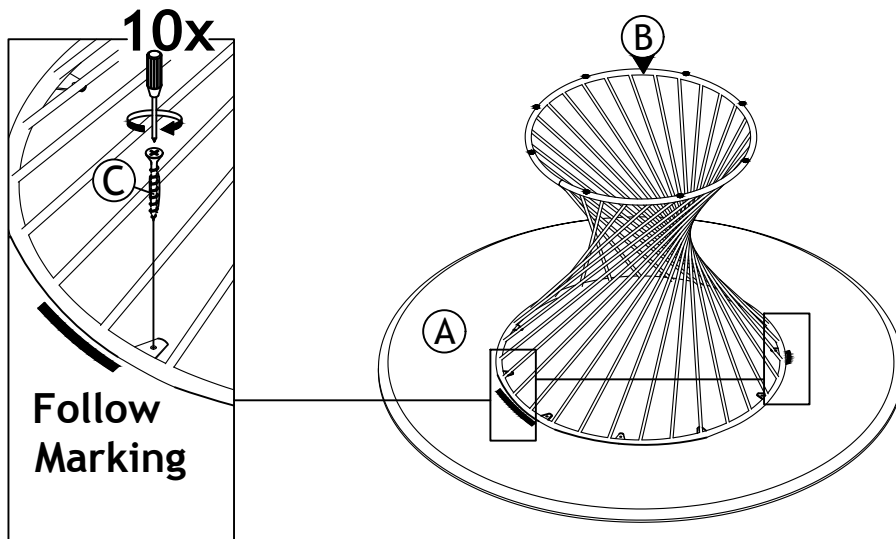
PART LIST

 <p>A : TABLE TOP x1</p>	 <p>B : METAL LEG x1</p>	
--	--	--

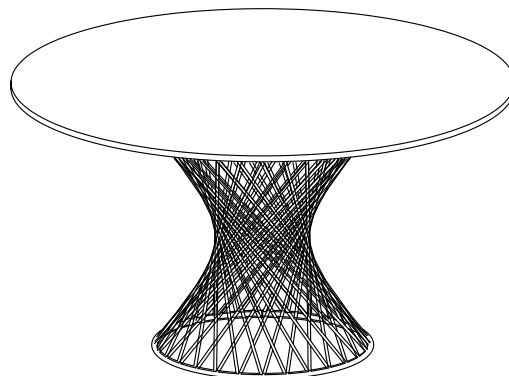
HARDWARE LIST

 <p>C : PAN HEAD SCREW M4 x 16MM x10</p>	
--	--

STEP 1



STEP 2



ASSEMBLY COMPLETED