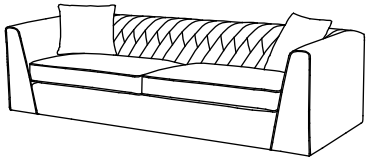
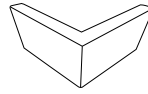


ASSEMBLY INSTRUCTIONS

Components

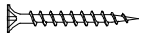


A
x1



B
x4

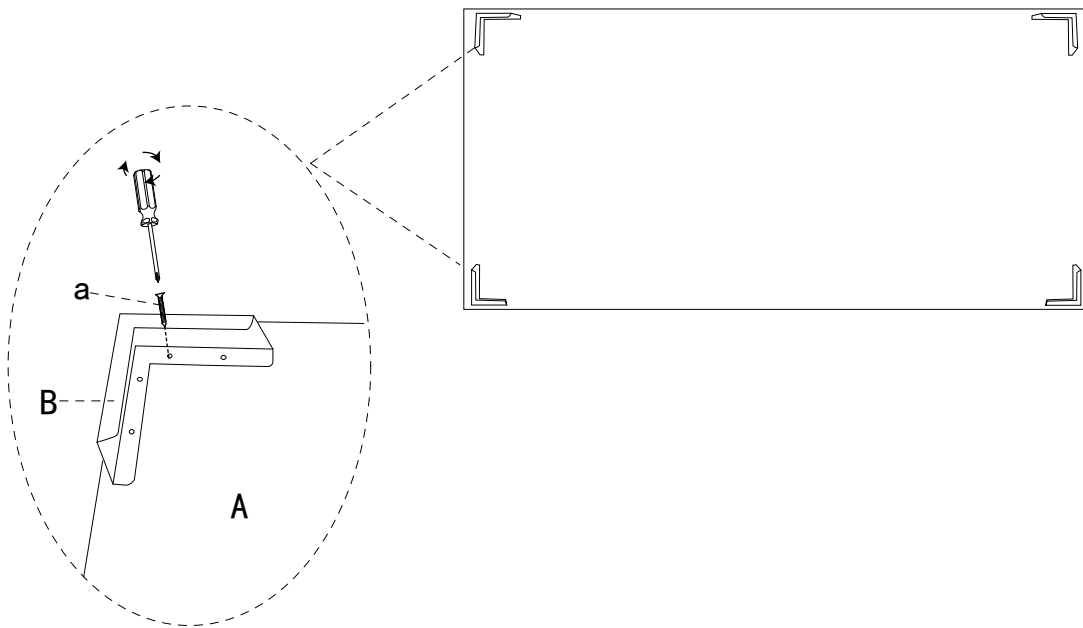
Hardware



a
x16

Assembly Instructions

STEP 1



STEP 2

