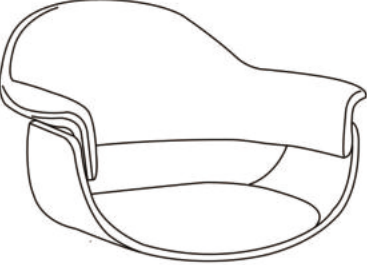

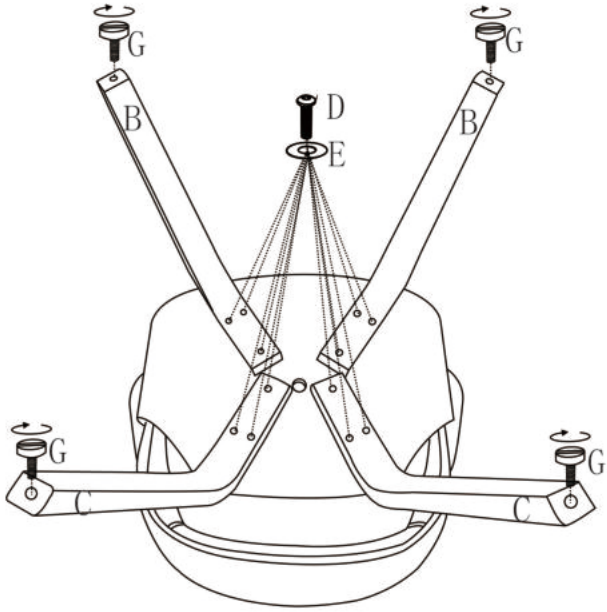



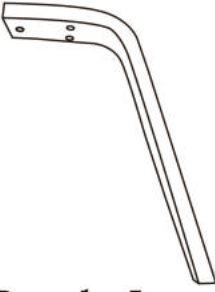




# ASSEMBLY INSTRUCTION

## SDM-2343-4 / ADALYN CHAIR

<p>Ax1</p>  <p>Ex12+1<u>EXTRA</u></p>  <p>6*18*1.2mm</p>			
<p>Bx2</p>  <p>Front Leg</p> <p>Fx1</p> 			
<p>Cx2</p>  <p>Back Leg</p> <p>Gx4+1<u>EXTRA</u></p> 			
<p>Dx12+1<u>EXTRA</u></p>  <p>M6*40mm</p>			