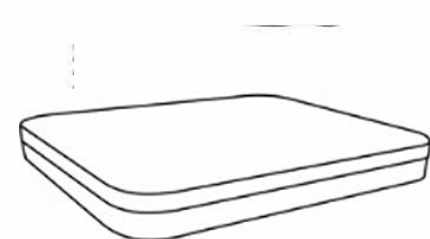


OREGON END TABLE

Part # TE-OR XX

2018.08.12

PARTS



A x 1



B x 1



C x 4



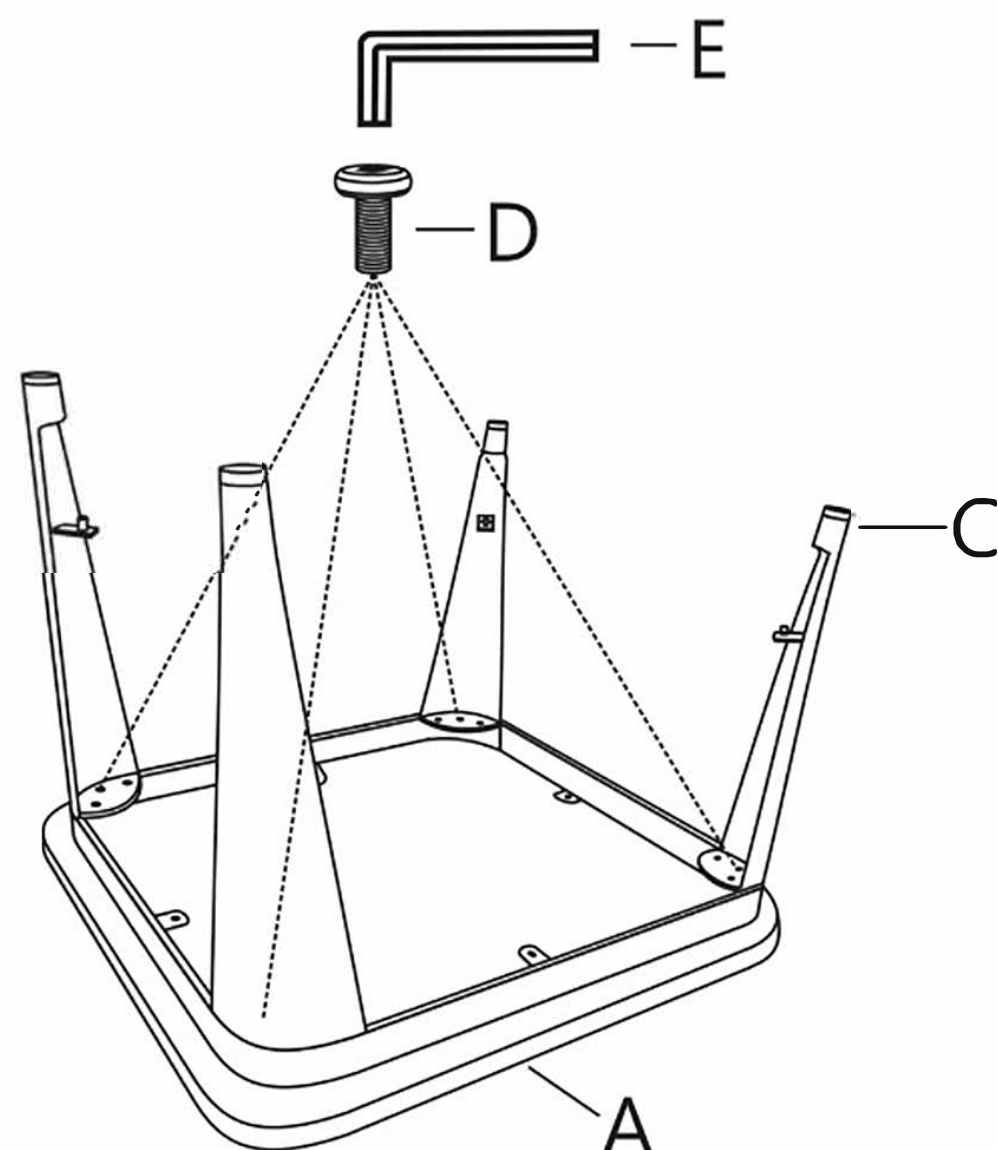
(M6x14mm)

D x 16

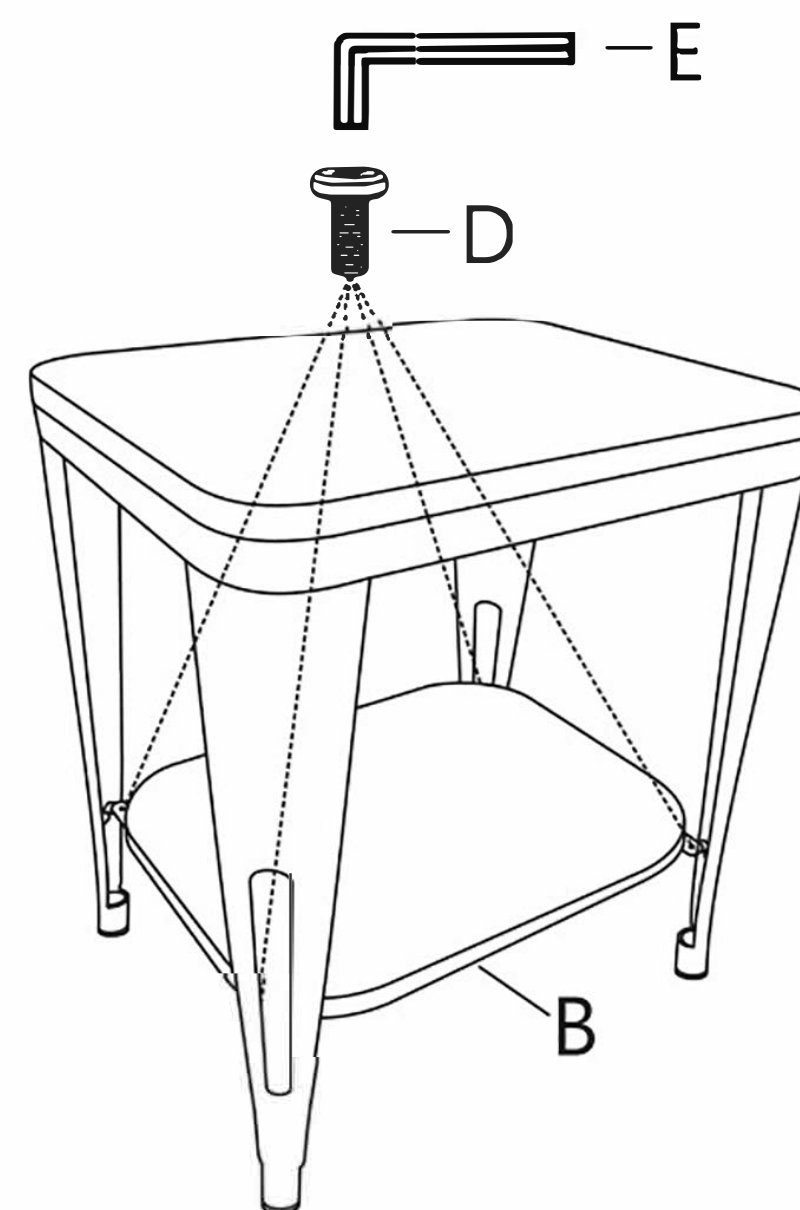


E x 1

1



2



3

