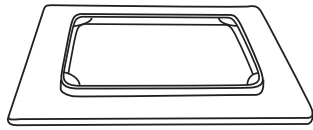


Oregon Dining Table

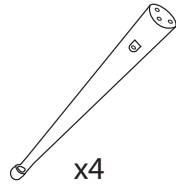
Part # DT-OR6036 XX+XX

20-0128

PARTS



A



x4

B



C



(M6x16mm)

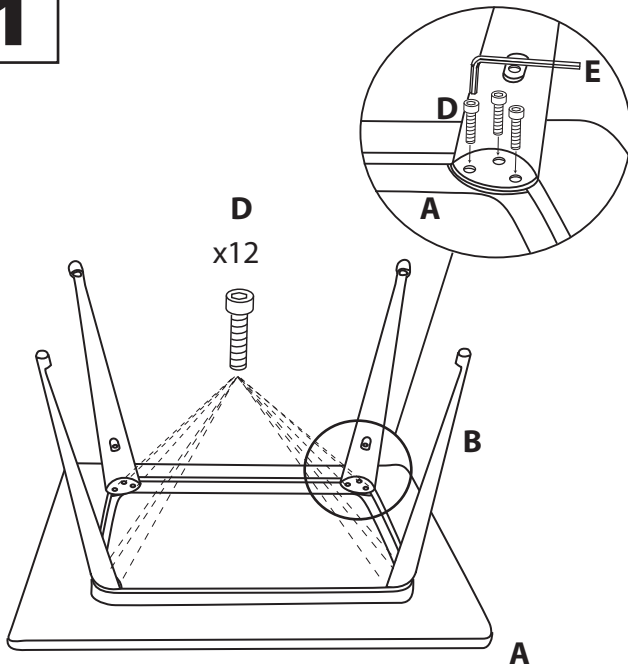
x16

D

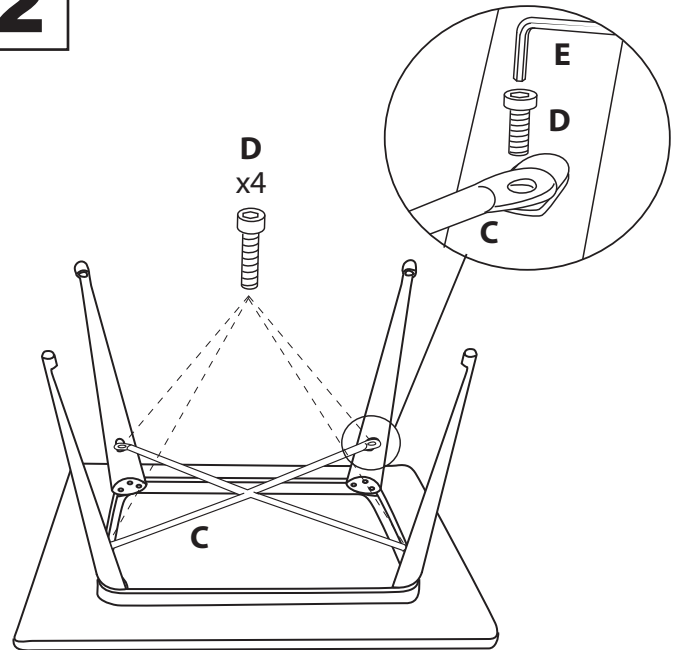


E

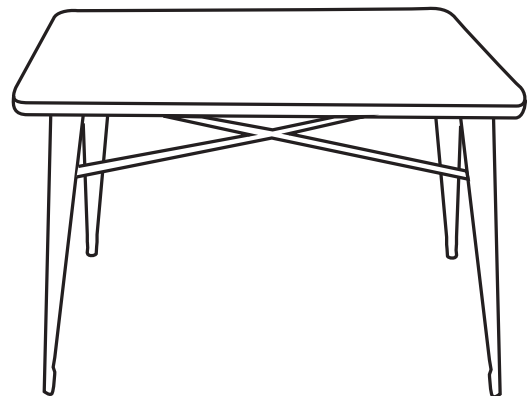
1



2



3



Do not over tighten.
 Do not use power tools to assemble.