

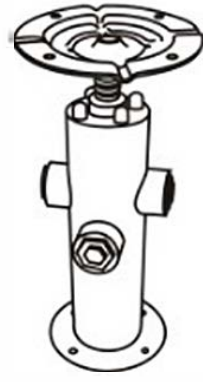
Part # BT-HYDRA XX

2018.03.18

**PARTS**



Ax1



Bx1



Cx1



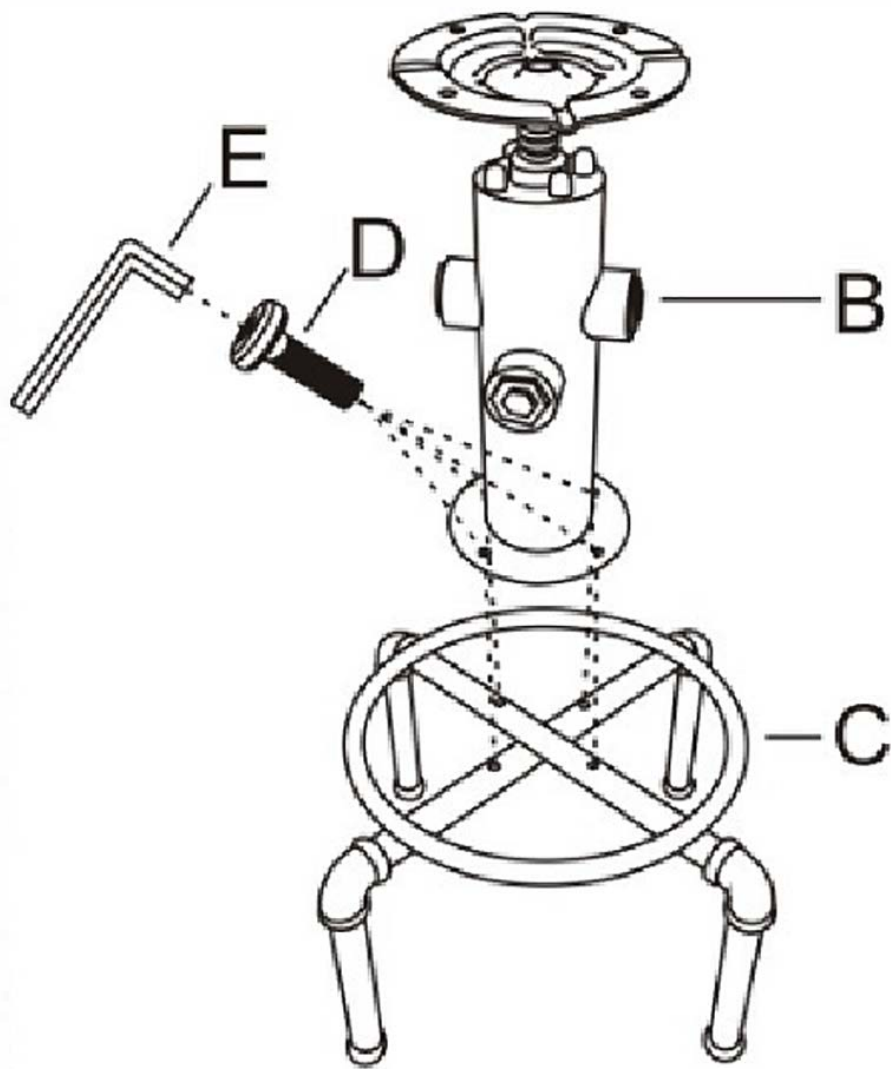
(M6x 16mm)

Dx8

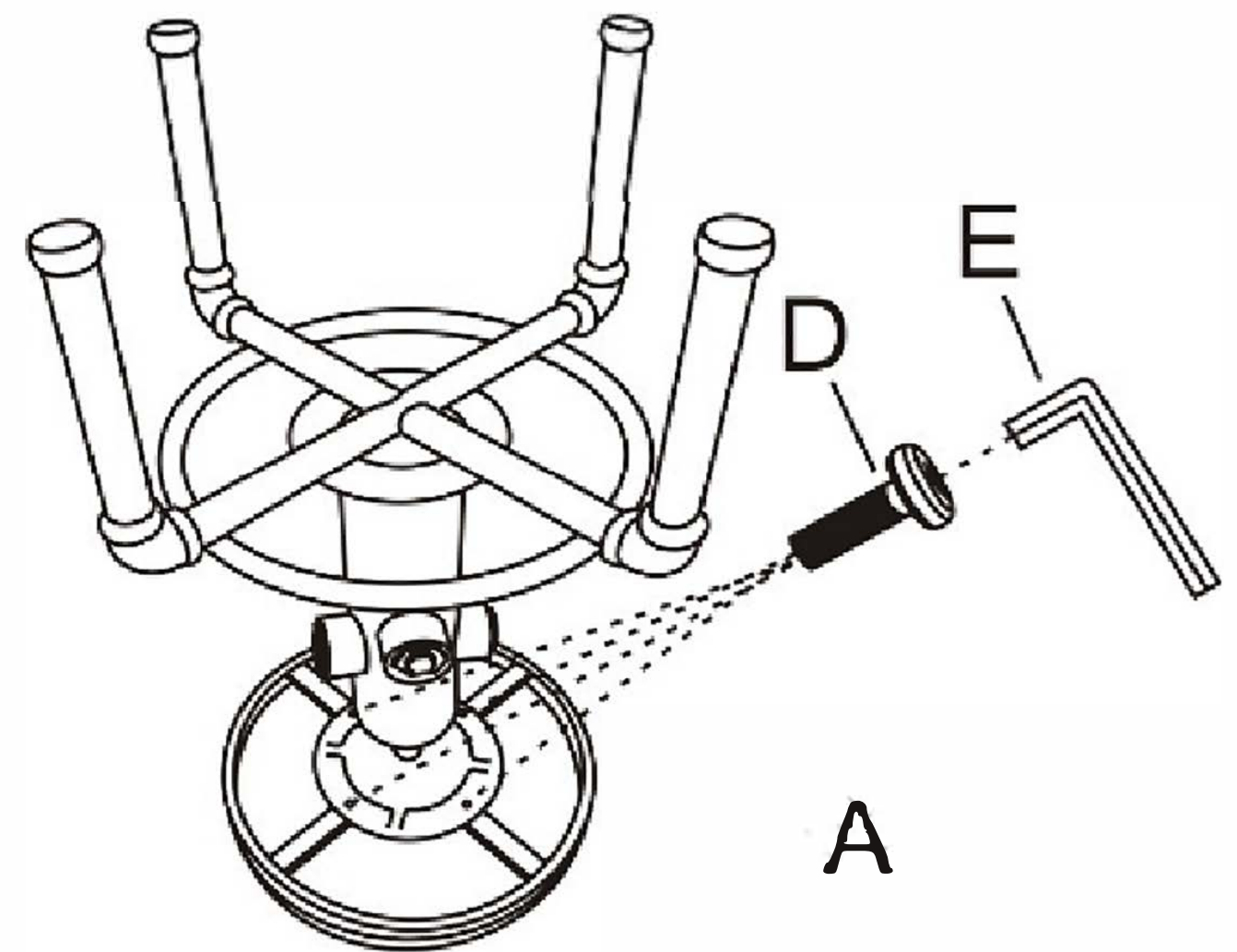


Ex1

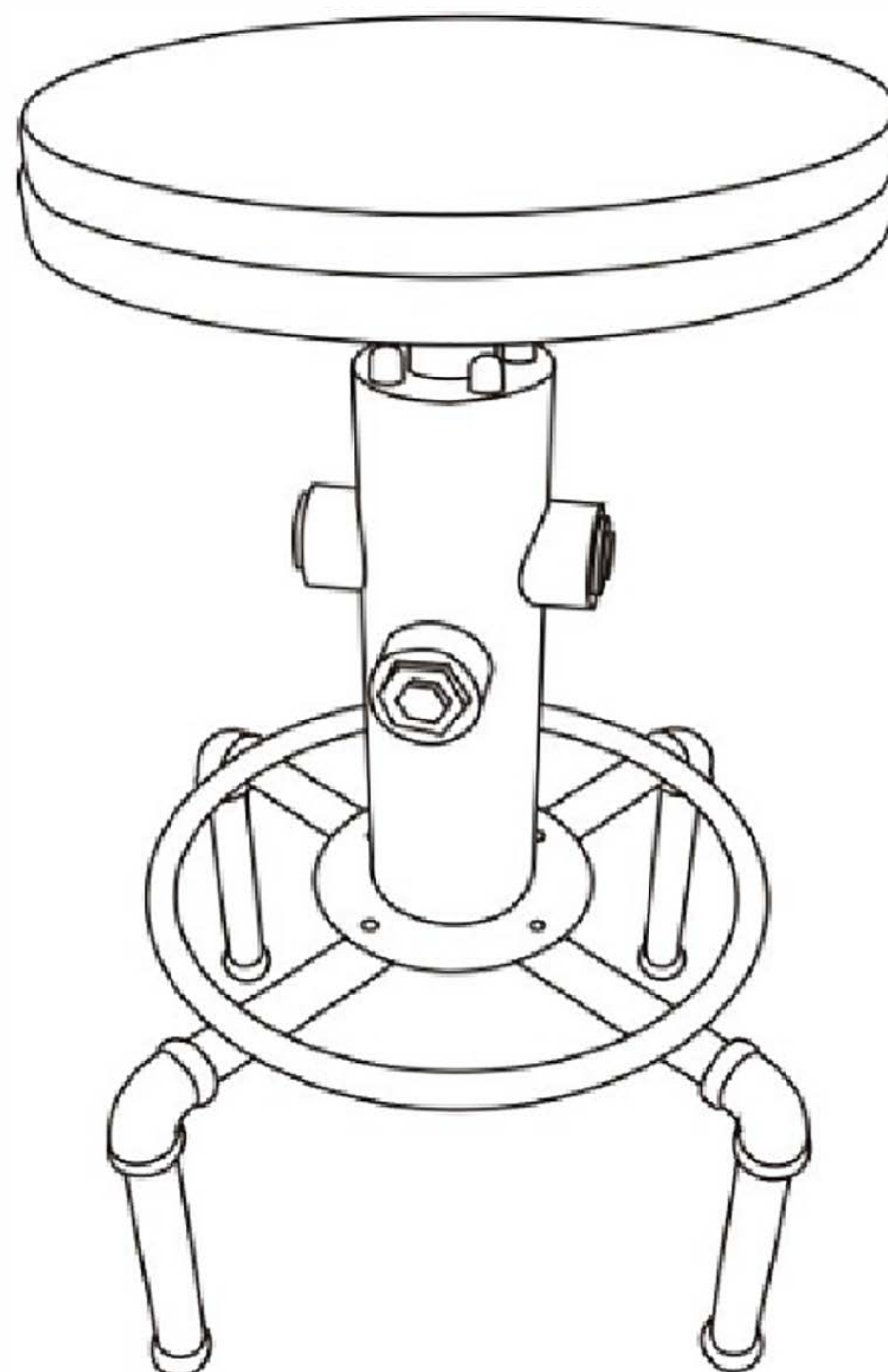
**1**



**2**



**3**



Do not over tighten.  
 Do not use power tools to assemble.