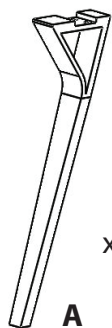


# FOLIA ROUND DINETTE

Part # DT-FOLIA RND XX+CL

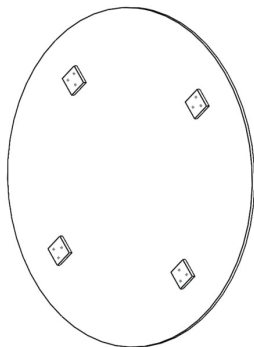
20-0914

**PARTS**



x4

**A**



**B**



(M6 22mm)

x12

**C**

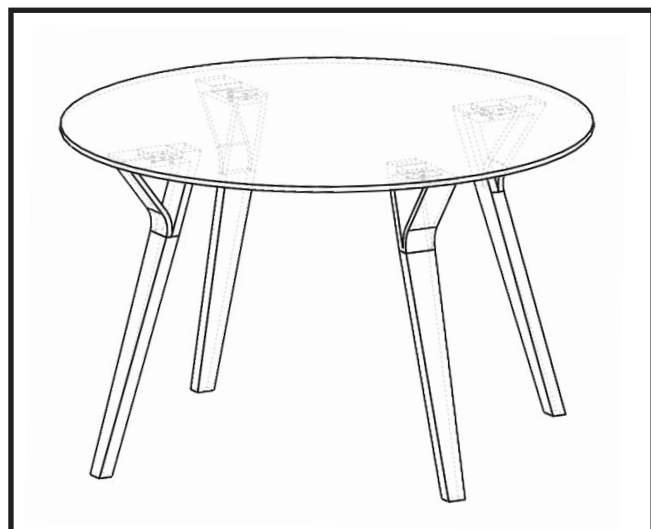
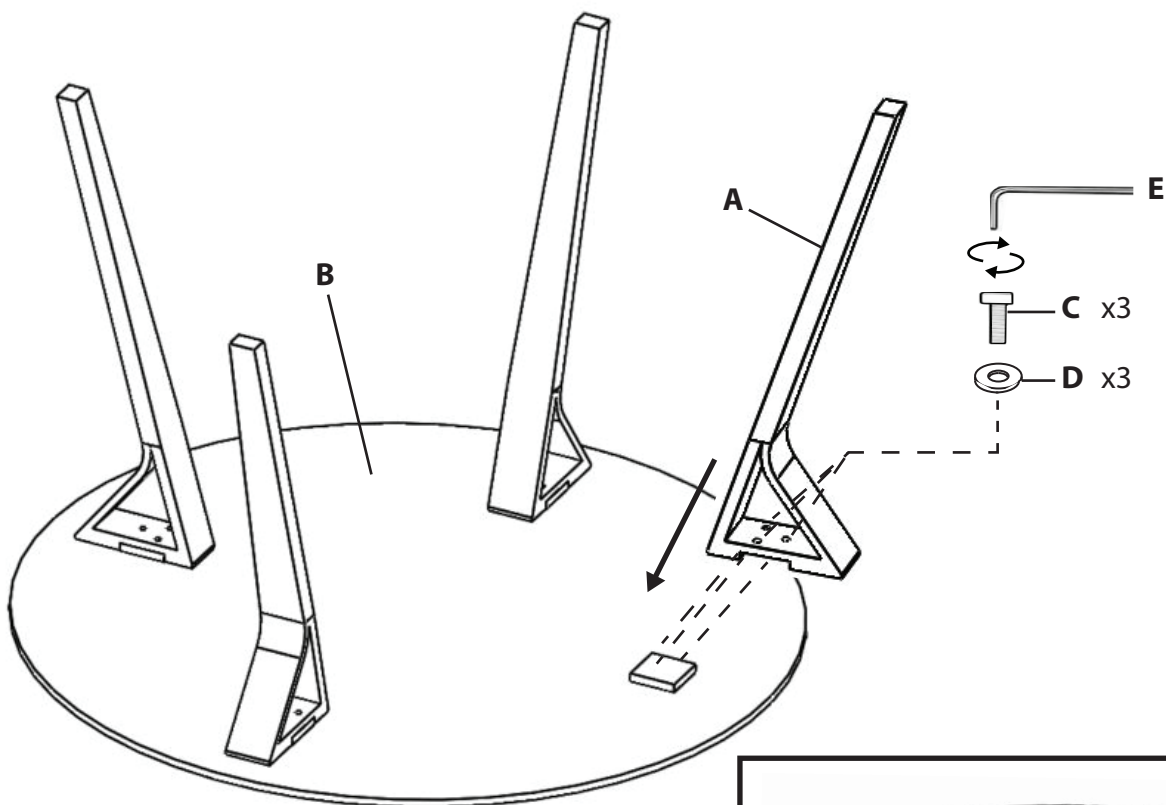


x12

**D**



**E**



Do not over tighten.  
 Do not use power tools to assemble.