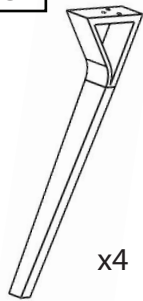


Part # DT-FOLIA XX

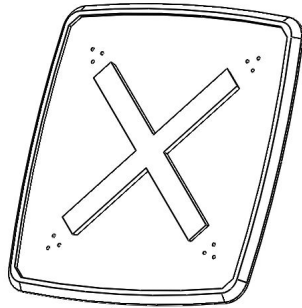
17-0516

PARTS



x4

A



B



M8 40mm

x12

C

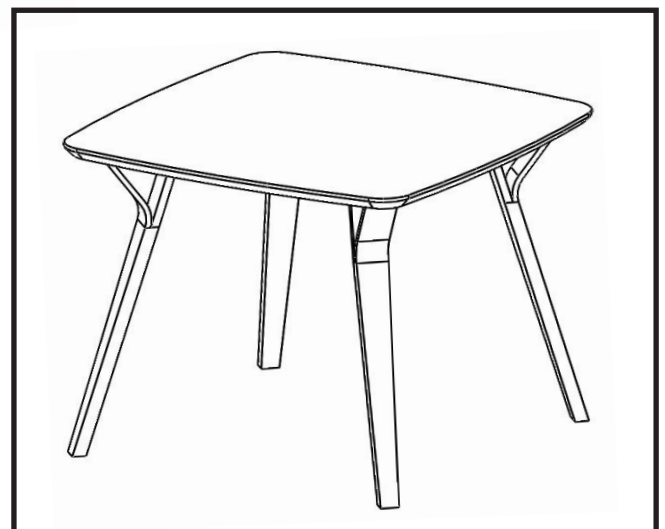
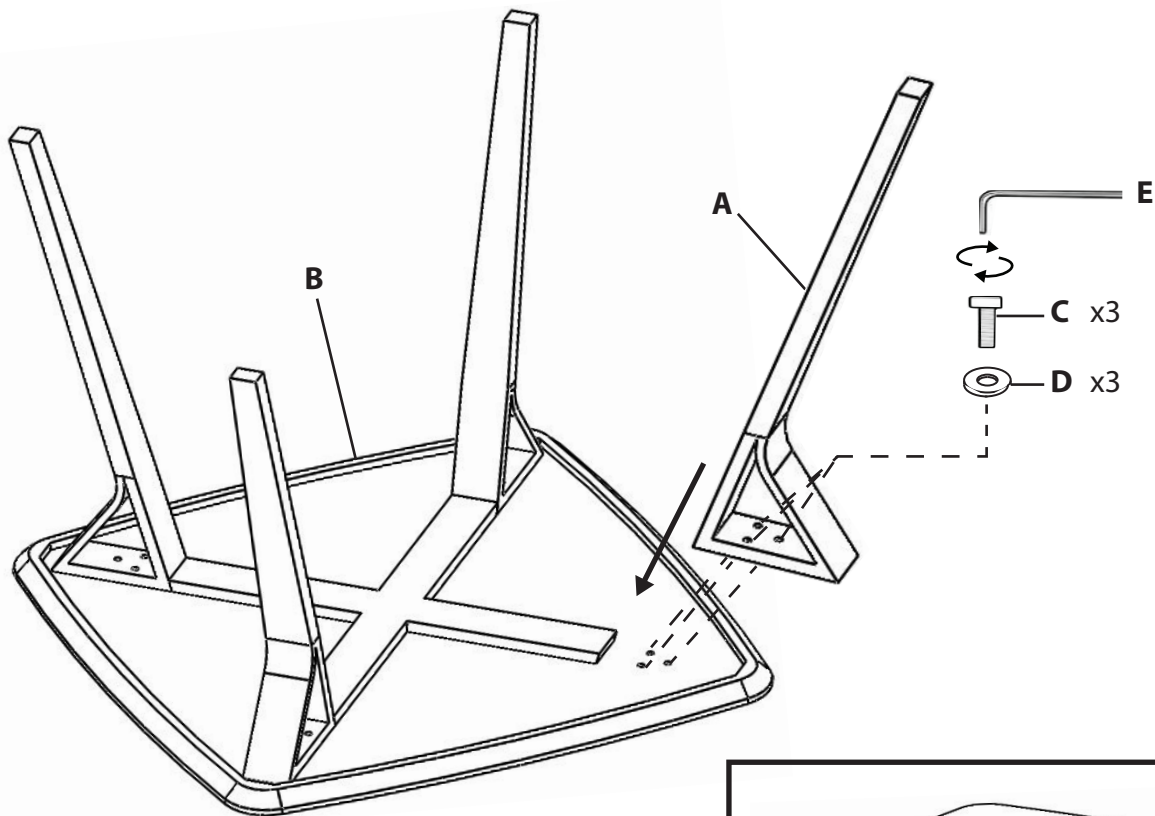


x12

D



E



Do not over tighten.
 Do not use power tools to assemble.