

FOLIA DINING TABLE

Part # DT-FOLIA6338 XX

18-0702

PARTS

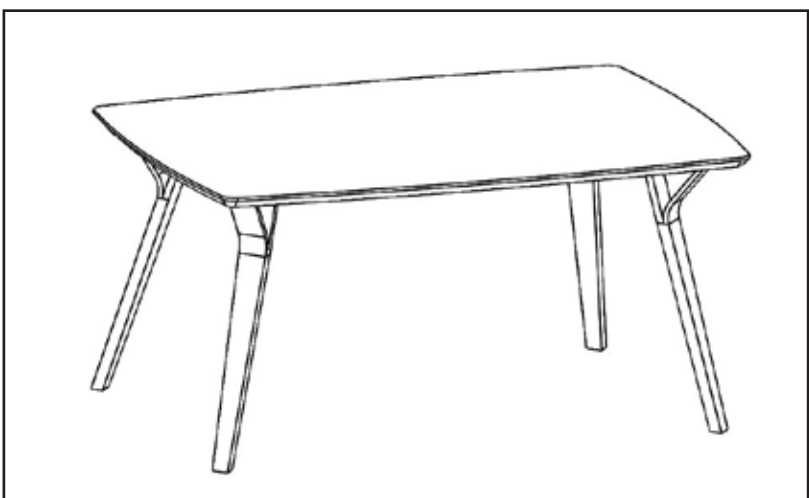
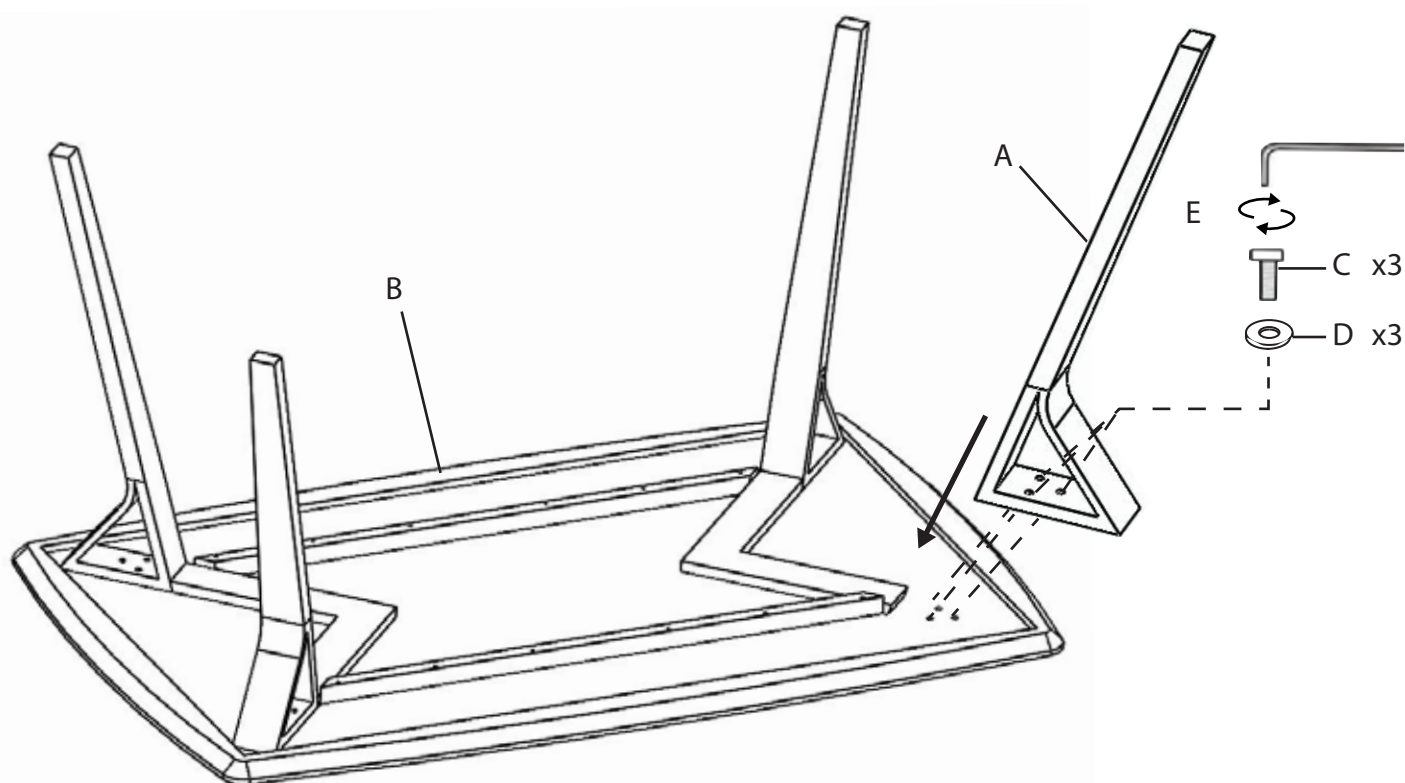
A x4


B

M8 25mm
C x12

D x12

E



 Do not over tighten.
Do not use power tools to assemble.