

Part # OFDGR-PIA BK+E

20-0402

PARTS

A



B



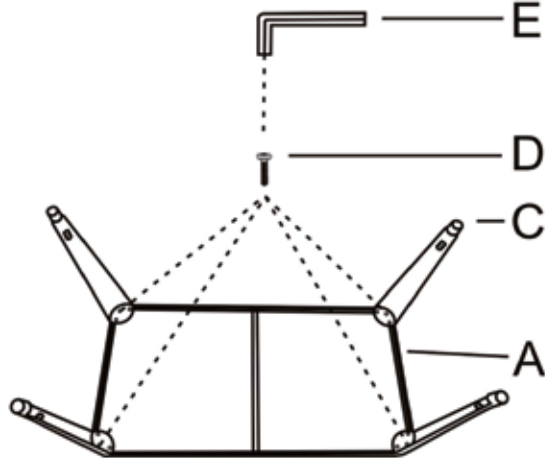
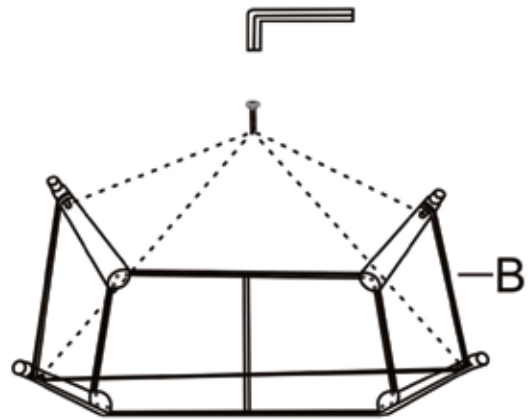
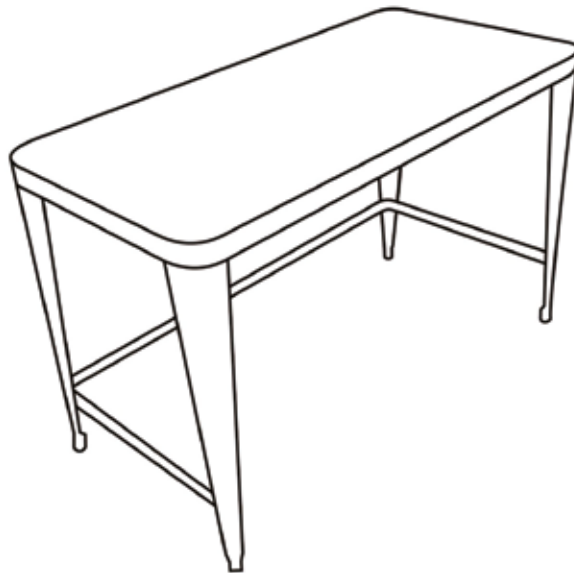
C

x16
(.6 x 14 mm)

D



E

1**2****3**

Do not over tighten.
Do not use power tools to assemble.