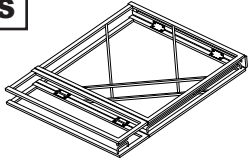


# Folia Corner Desk

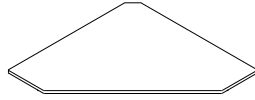
Part # OFD-FOLIACNR XX

19-1211

**PARTS**

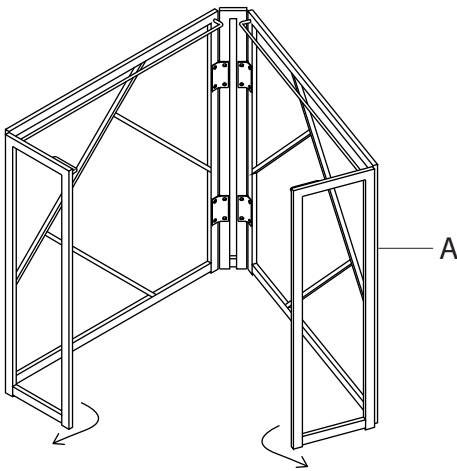


A

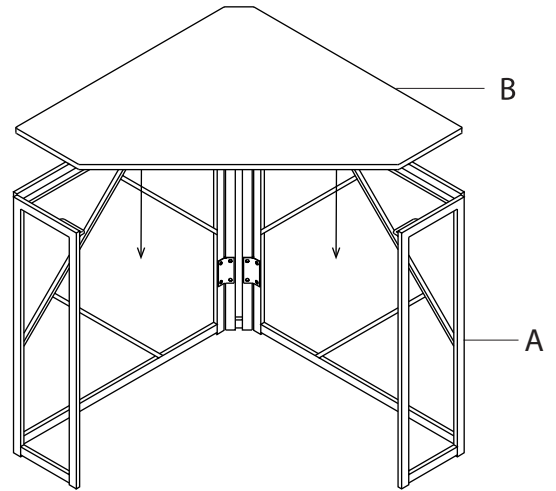


B

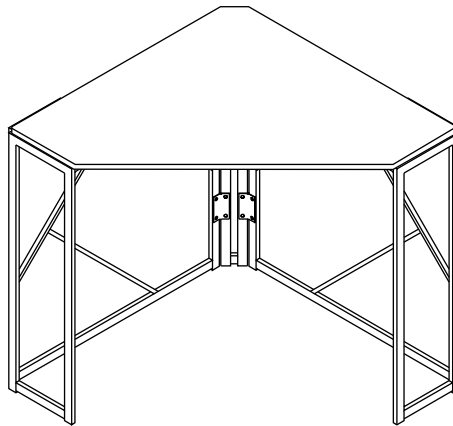
**1**



**2**



**3**



Do not over tighten.  
Do not use power tools to assemble.