

Fran Slipper Chair

Part # CHR-FRANSLP XX+XX

20-0111

PARTS



A



x4
B



x12
(M6x16mm)
C



x12
D

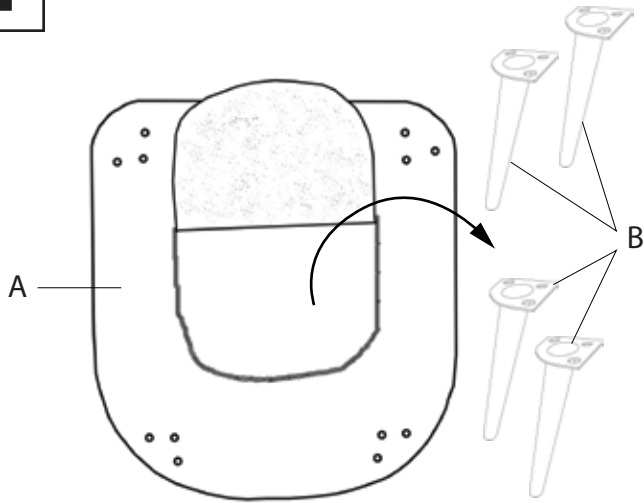


x12
E

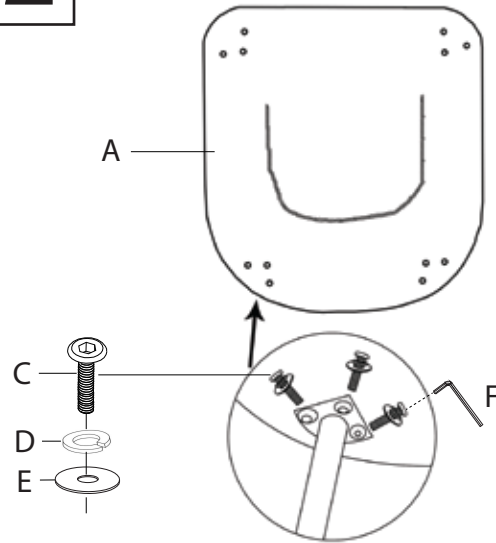


F

1

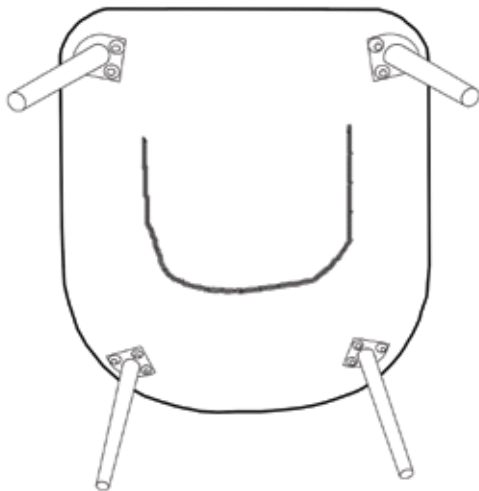


2



! 80%
tighten

3



! 100%
tighten

4



Do not over tighten.
Do not use power tools to assemble.