

# Daniella Dining Chair

Part # DC-DANIELLA XXXX

19-0813

**PARTS**



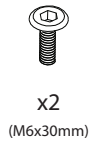
A



B



C



x2  
(M6x30mm)  
D



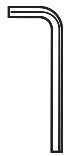
x4  
(M6x40mm)  
E



x4  
F

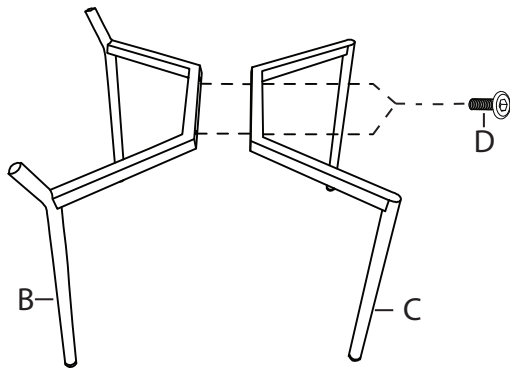


x4  
G

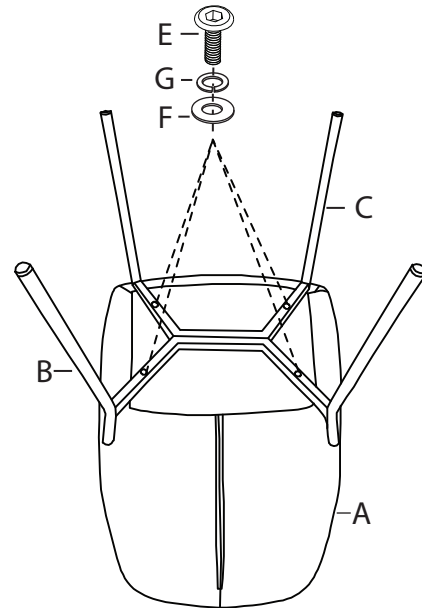


H

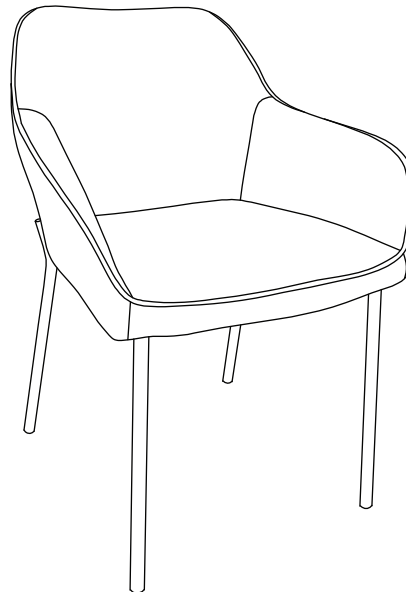
**1**



**2**



**3**



Do not over tighten.  
 Do not use power tools to assemble.