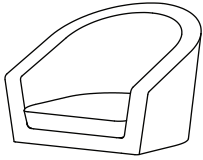
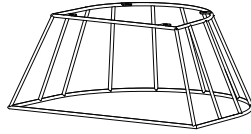


Part # CH-CNRY XX+XX

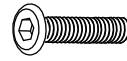
170518

**PARTS**

A



B

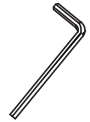
x4  
M6 x 16mm

C

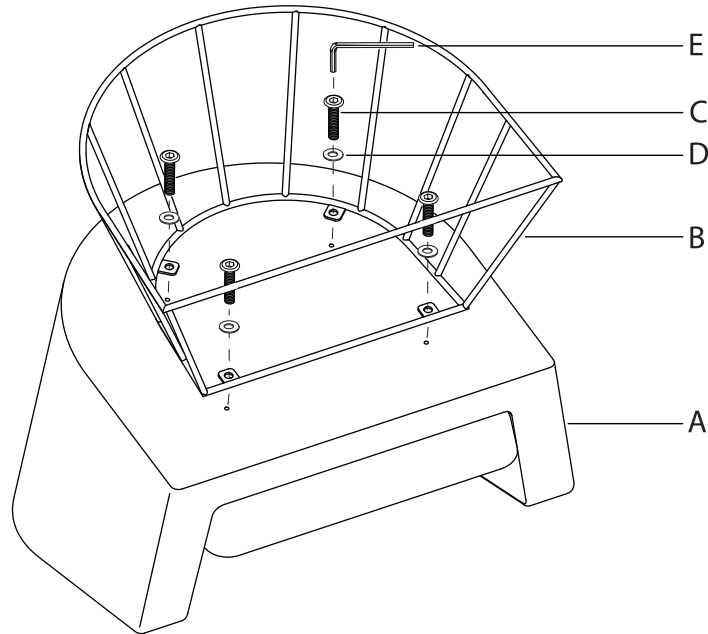
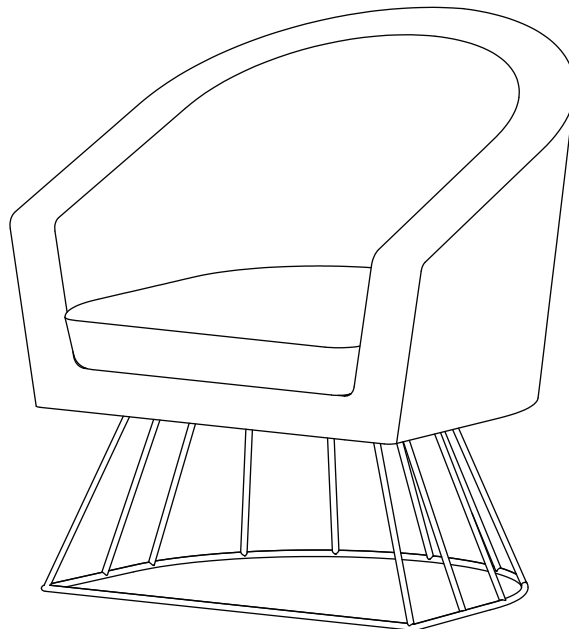


x4

D



E

**1****2**

Do not over tighten.  
Do not use power tools to assemble.