

Boyne Chair

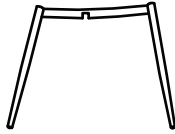
Part # CH-BOYNE XXXX

19-0423

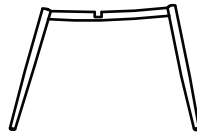
PARTS



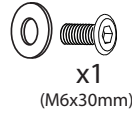
A



B

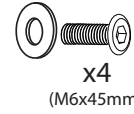


C



x1
(M6x30mm)

F



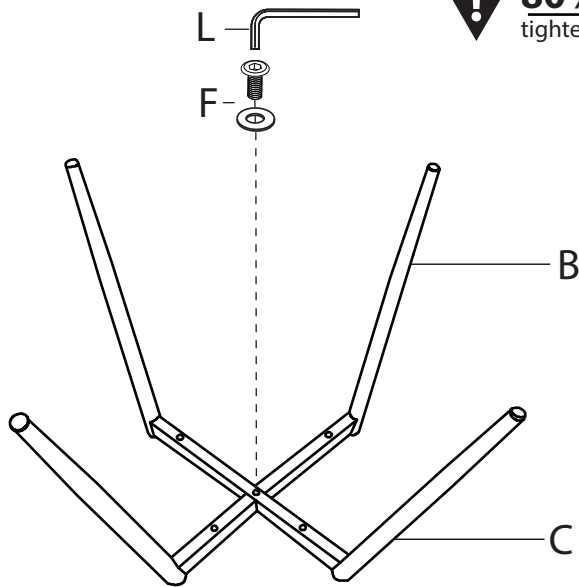
x4
(M6x45mm)

G



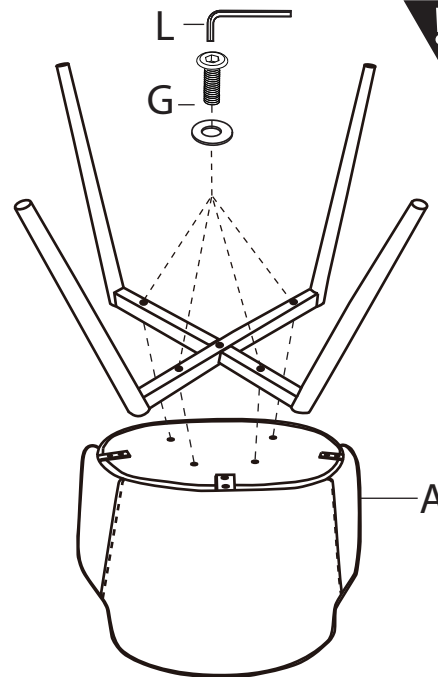
L

1



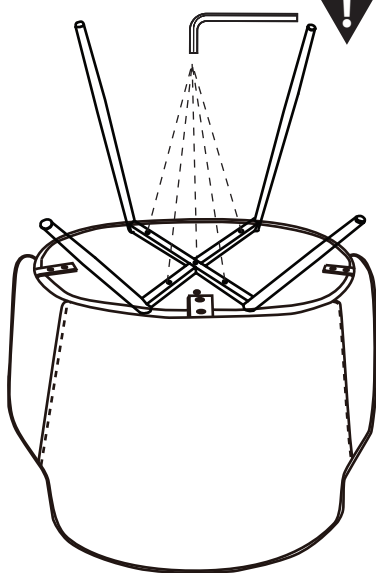
! 80%
tighten

2



! 80%
tighten

3



! 100%
tighten

4



Do not over tighten.
Do not use power tools to assemble.