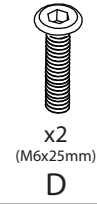
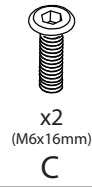
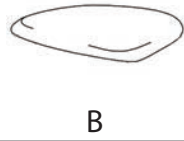


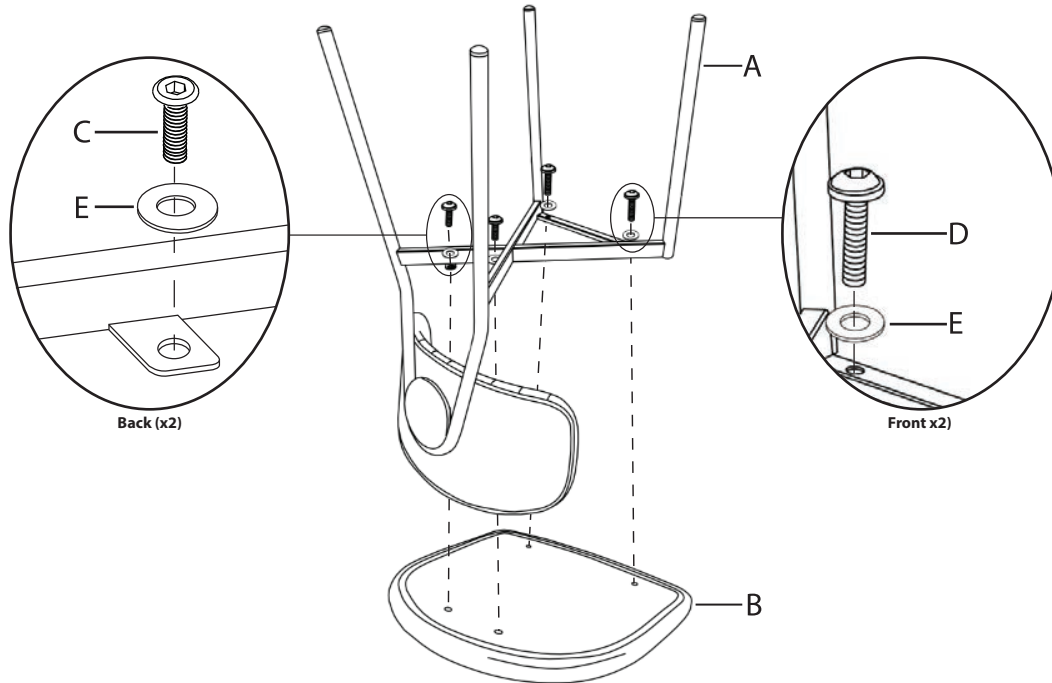
Part # CH-BOUTON XXXX

19-0322

PARTS



1



2



Do not over tighten.
Do not use power tools to assemble.