

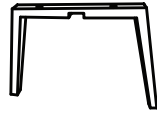
Part # CH-BCLLO XX+XX

18-0514

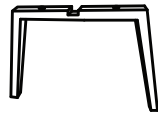
PARTS



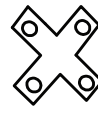
A



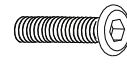
B



C



D



(M6x50mm)
x4
E

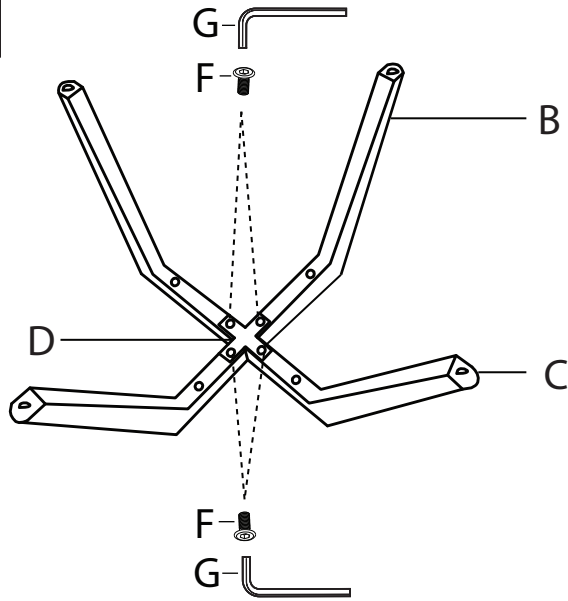


(M6x15mm)
x4
F

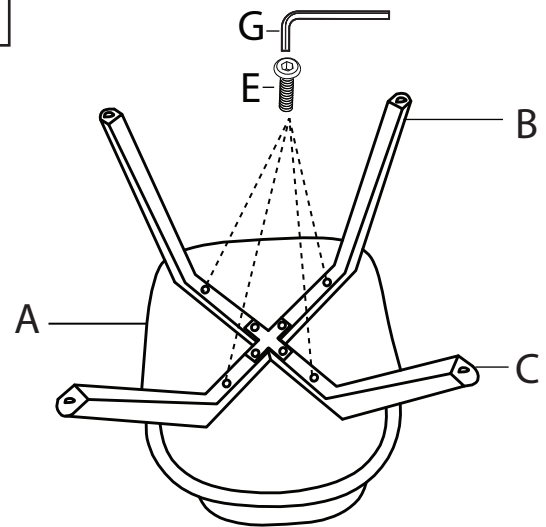


(M6)
G

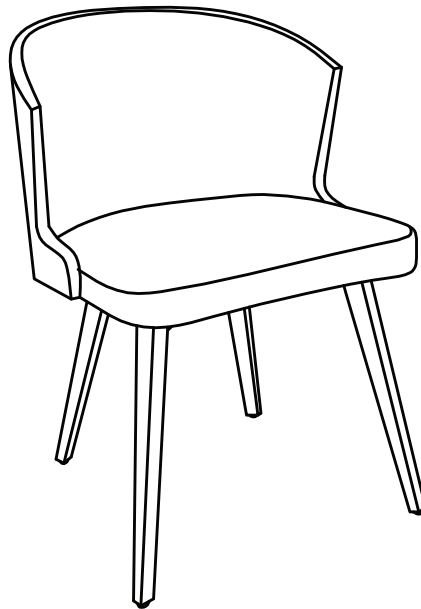
1



2



3



Do not over tighten.
 Do not use power tools to assemble.