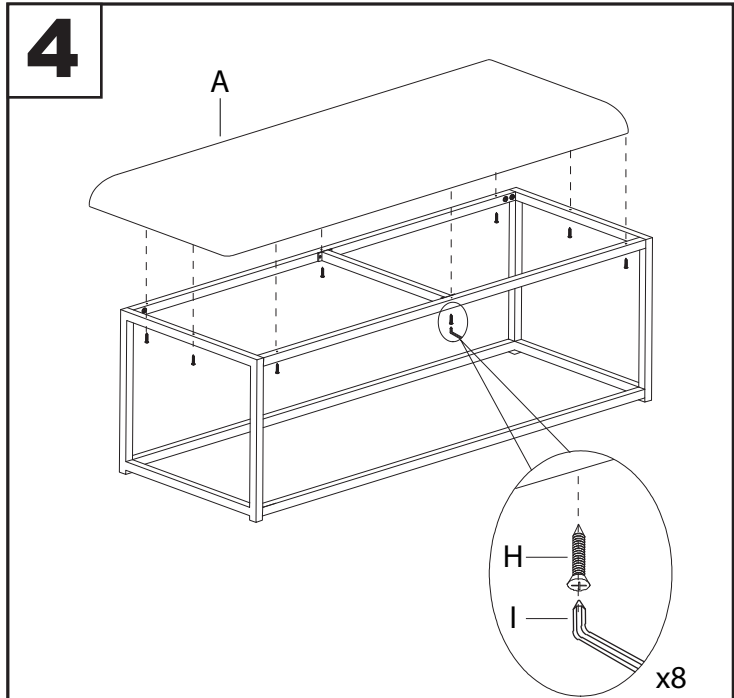
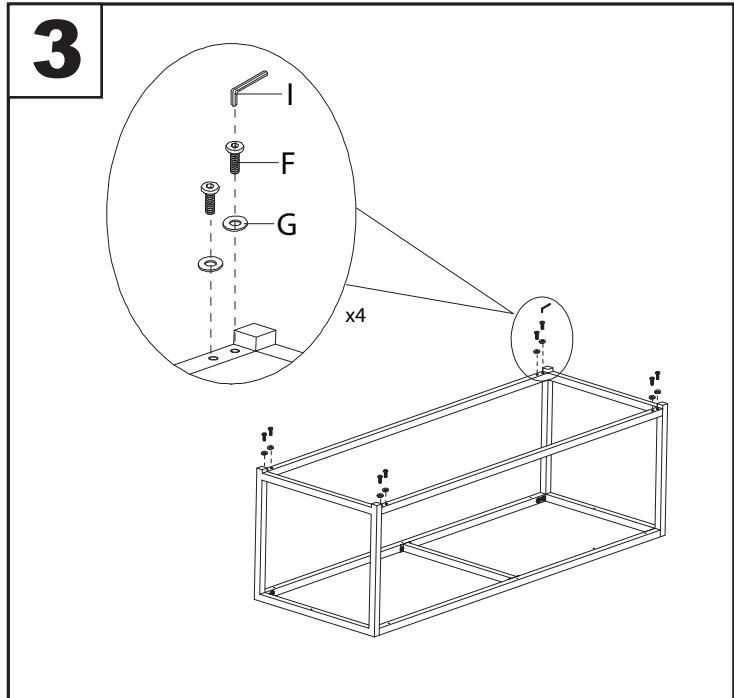
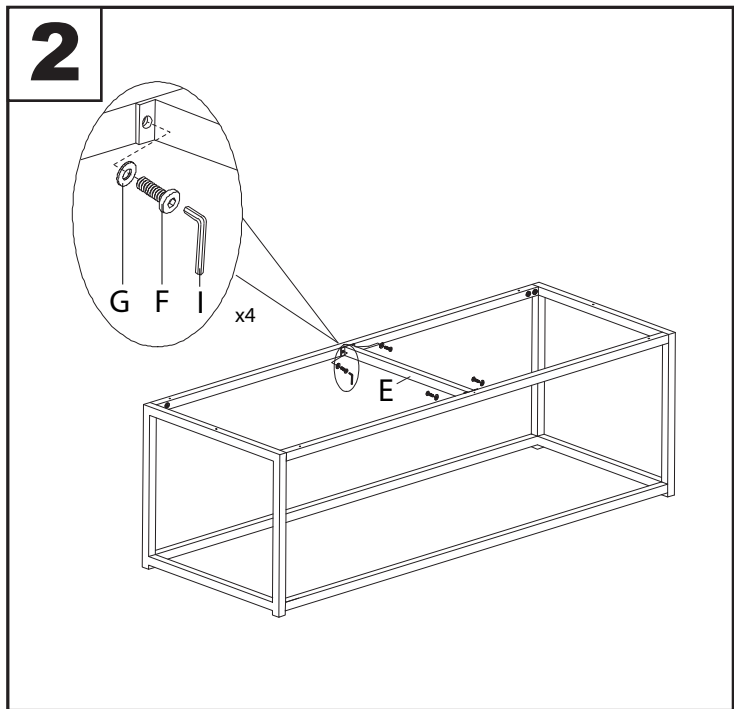
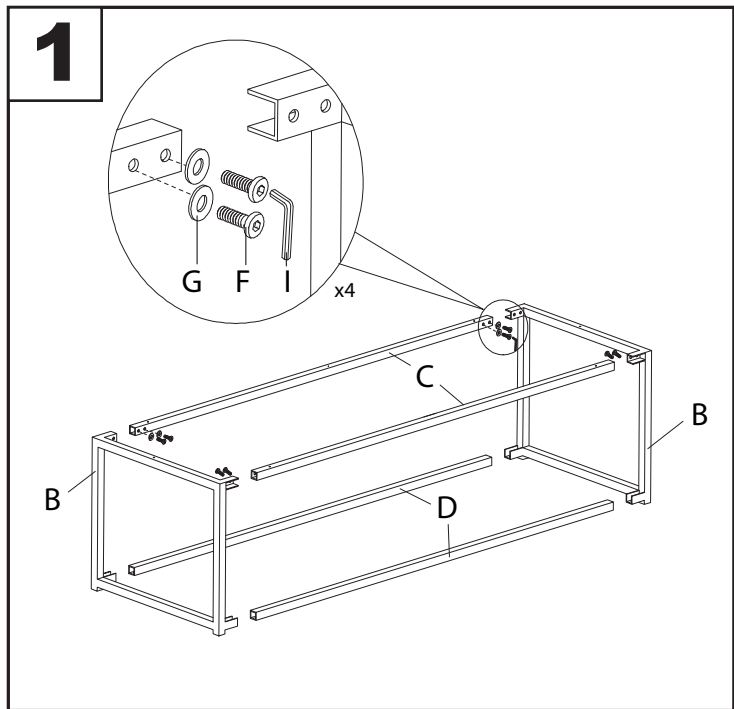
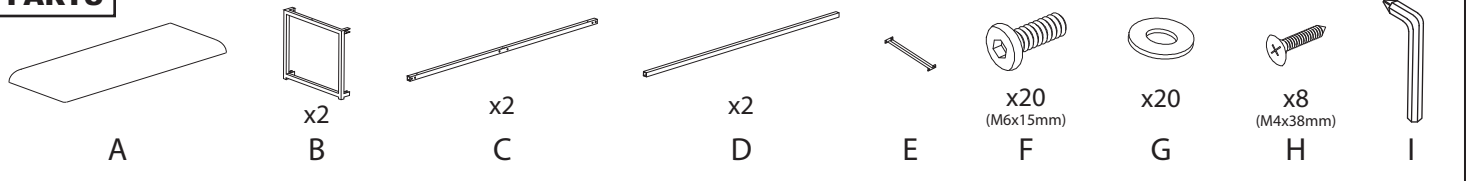


Part # BC-ZENN XX

19-0819

**PARTS**



Do not over tighten.  
 Do not use power tools to assemble.