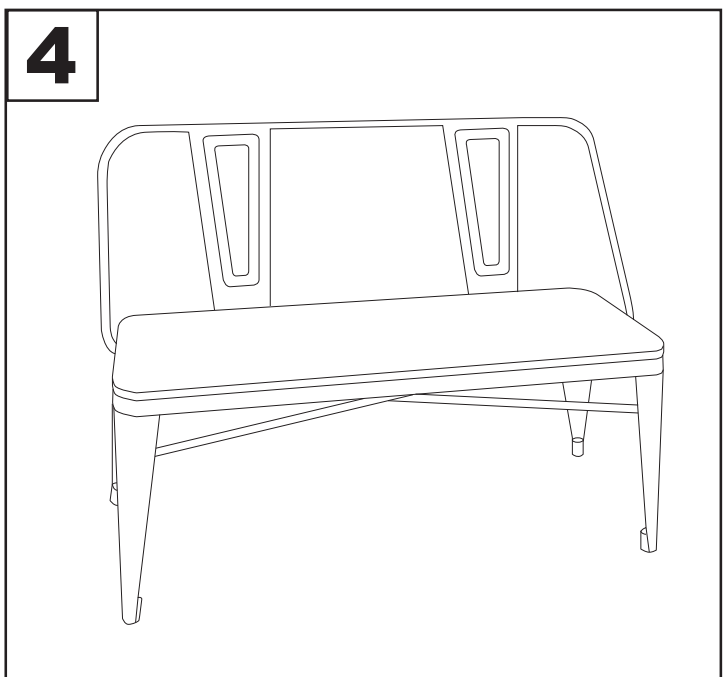
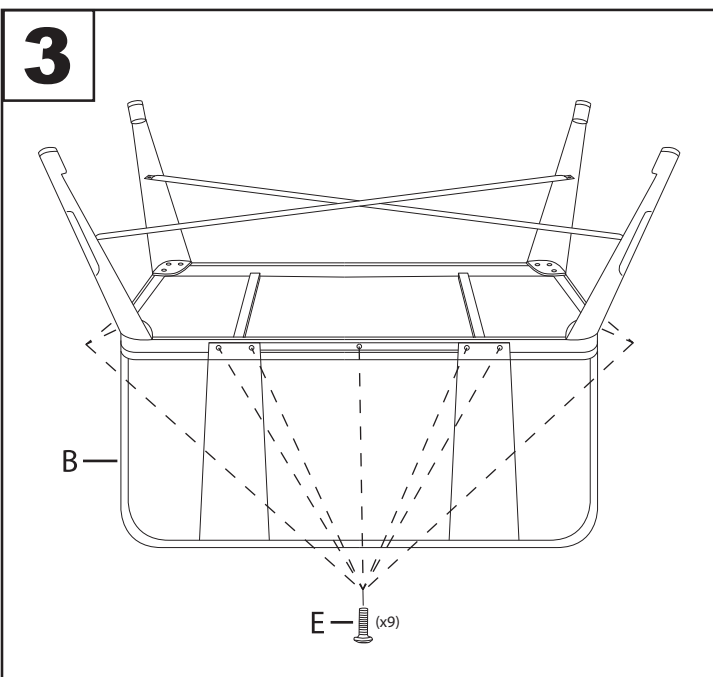
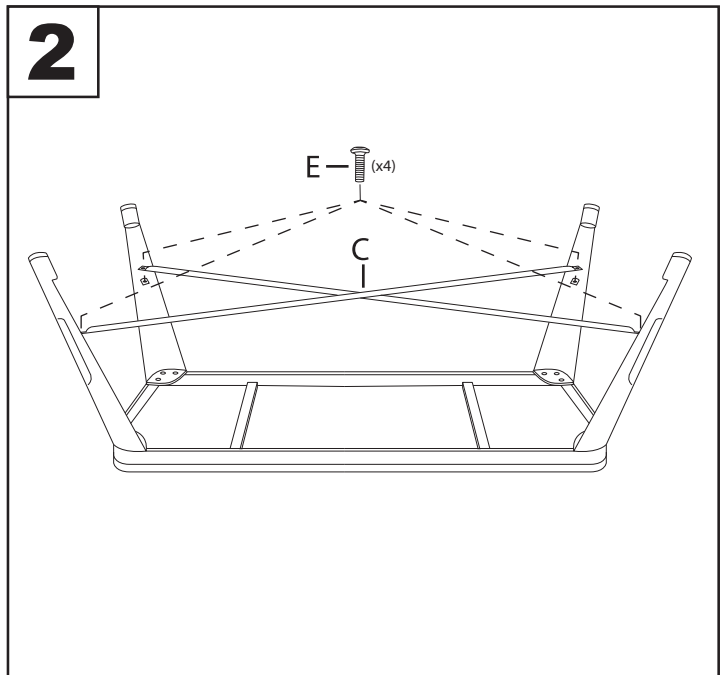
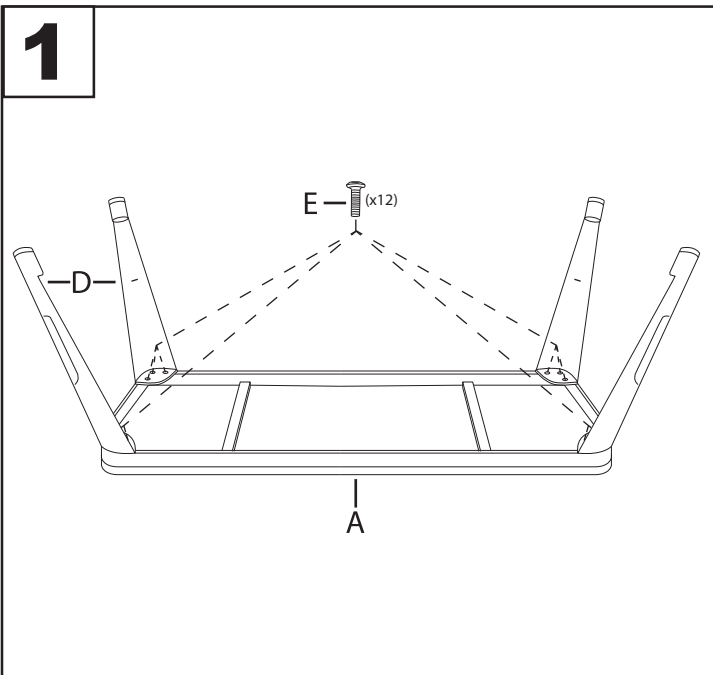
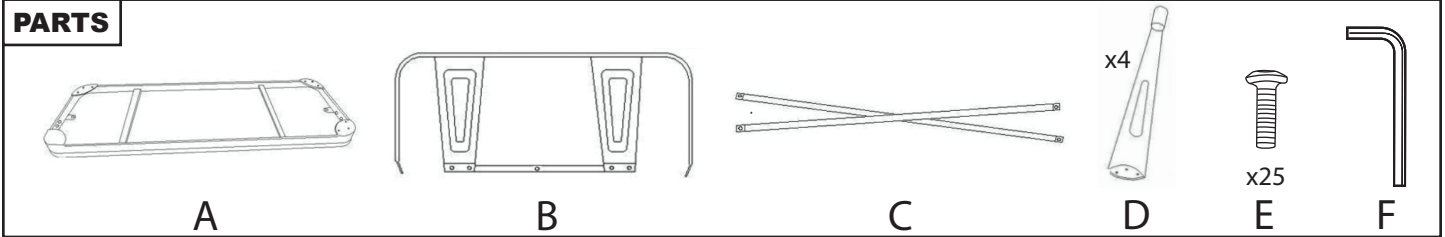


Oregon Metal Bench

Part # BC-ORMTL XX+XX

18-0404

PARTS



Do not over tighten.
 Do not use power tools to assemble.