

# Hydra Barstool

Part # BS-HYDRA XX

2018.03.18

**PARTS**

Ax1



Bx1



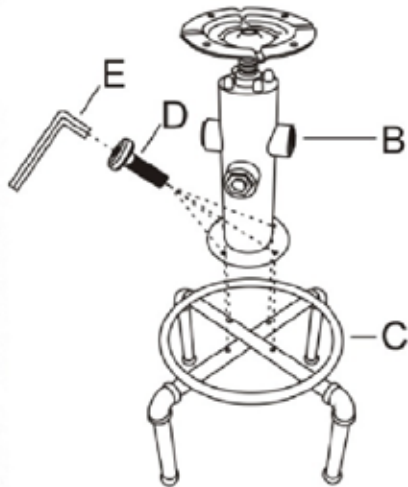
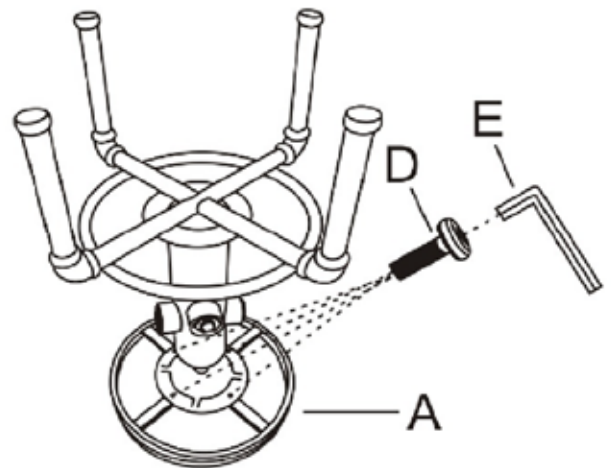
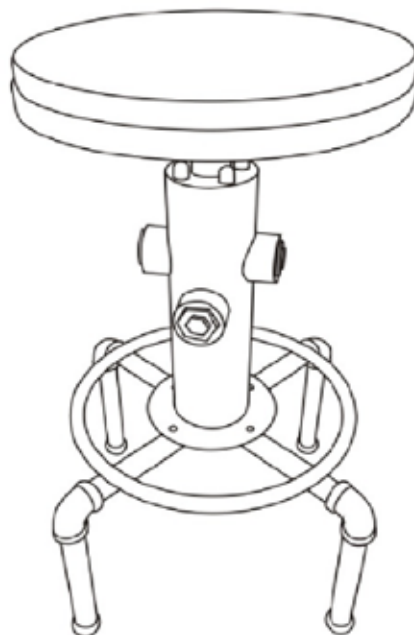
Cx1



Dx8



Ex1

**1****2****3**

Do not over tighten.  
Do not use power tools to assemble.