
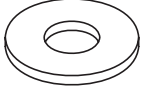
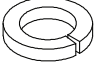
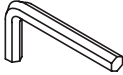
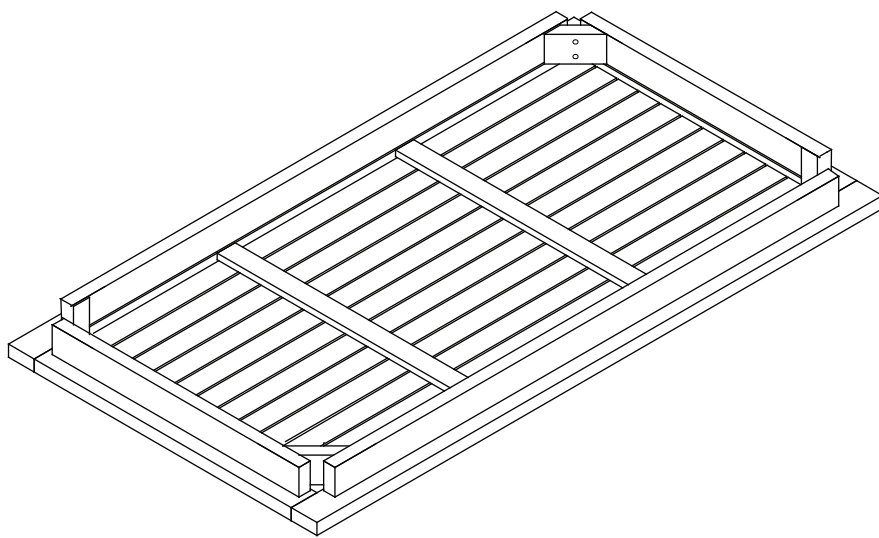


<b>A (8)</b>  M6X60 mm	<b>B (8)</b>  M6.5X20X2 mm	<b>C (8)</b>  M6.5X13X2 mm	<b>D (1)</b> 
---	---	--	---

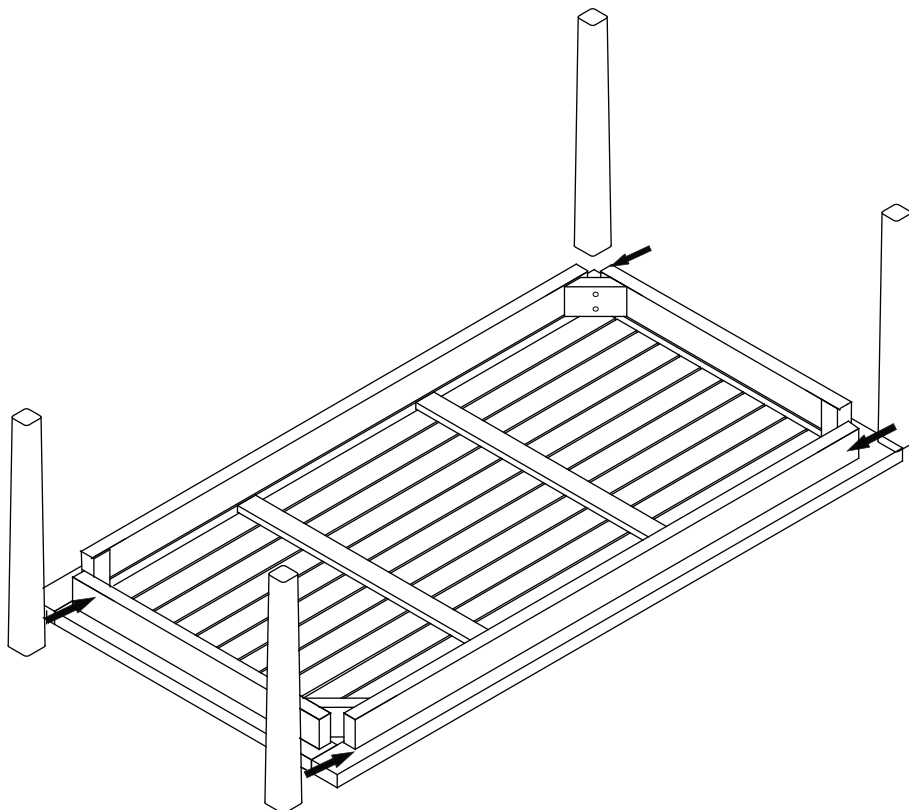


**1** x1



**2** x4

①



②

