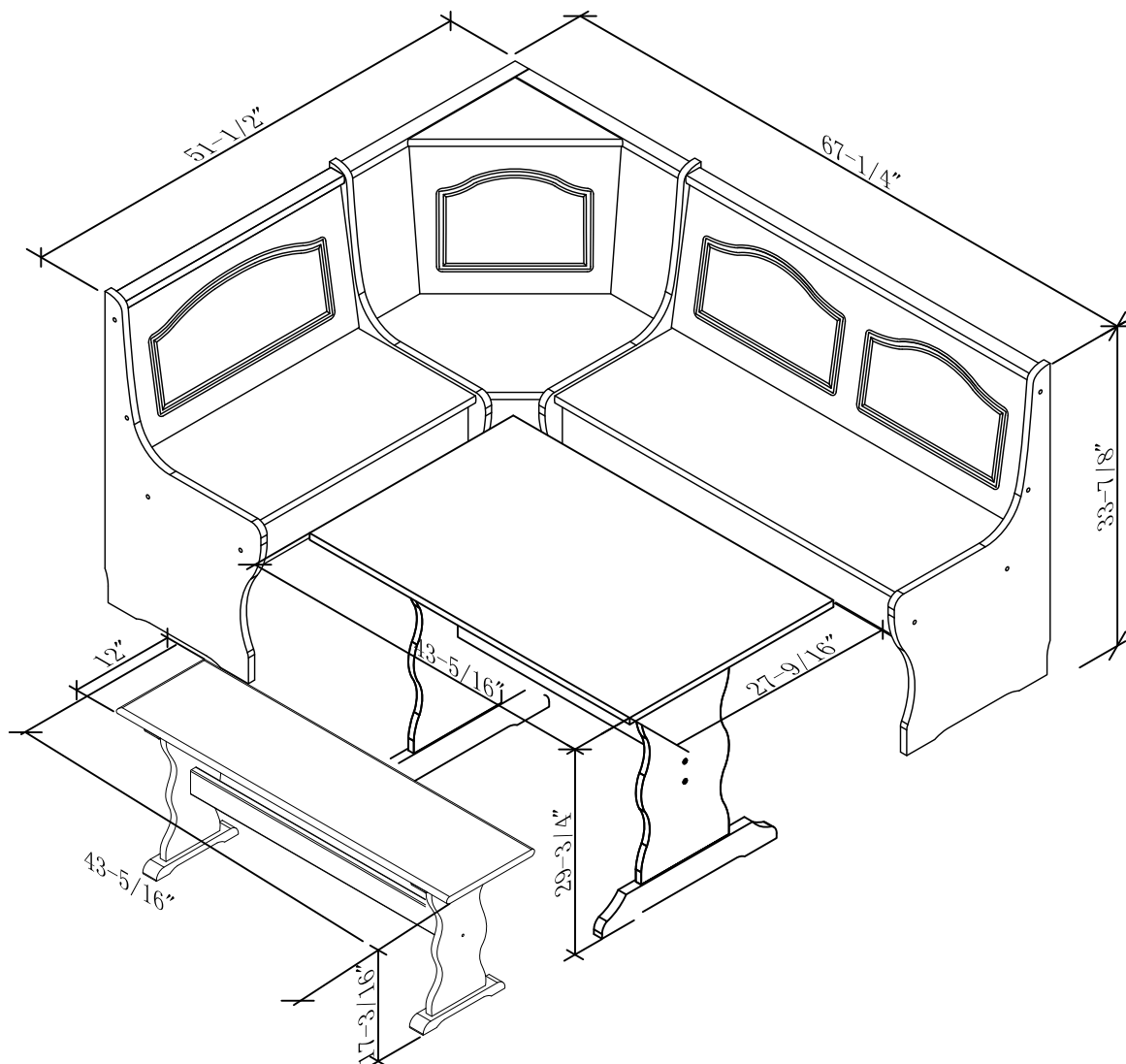




LINON HOME DECOR PRODUCTS, INC.

ASSEMBLY INSTRUCTION

**CHELSEA NOOK BENCH
MODEL# 90367N2-01-KD-U
Sears# 14029 box 1 of 3**



MADE IN CHINA

FOR LINON HOME DECOR PRODUCTS INC BY CH46

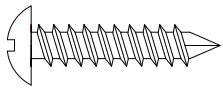
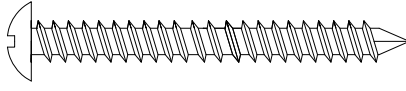


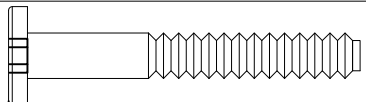
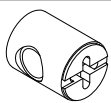



LINON HOME DECOR PRODUCTS, INC.

HARDWARE PACKAGE COUNT (BENCH)

OPEN HARDWARE PACKAGE ON A FLAT SURFACE COVERED WITH NEWSPAPER. COUNT EACH PIECE OF HARDWARE TO MATCH THE QUANTITY NUMBER IN THE HARDWARE IDENTIFICATION COLUMN. FOLLOW THE NUMBER IDENTIFICATION WHEN READING THE ASSEMBLY DRAWING ④ THROUGH ⑩

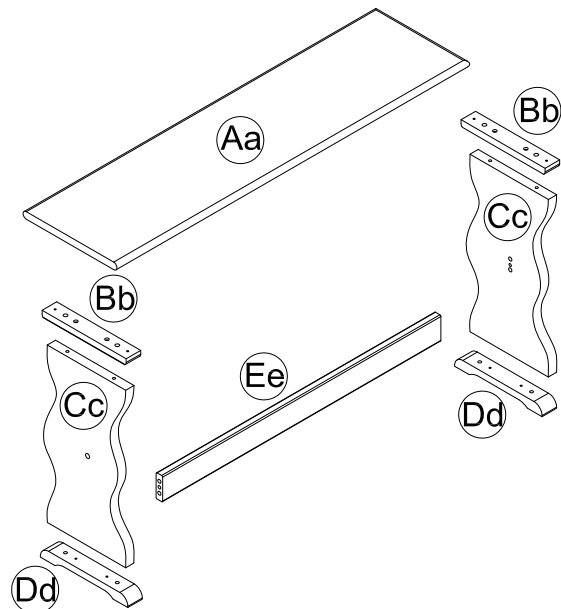
HARDWARE IDENTIFICATION

④		SCREW 1"LONG (FULL SIZE)	5X25mm	4
⑤		SCREW 2"LONG (FULL SIZE)	5X50mm	8
⑥		WOOD HOLE COVER (FULL SIZE)		2
⑦		WOOD DOWEL 2"LONG (FULL SIZE)	10X50mm	12
⑧		SCREW 1-3/4"LONG (FULL SIZE)	6X45mm	2
⑨		NUT (NOT TO SCALE)		2
⑩		ALLEN WRENCH (NOT TO SCALE)		1

TOOLS REQUIRED FOR ASSEMBLY: PHILLIPS SCREWDRIVER (NOT PROVIDED)

PARTS IDENTIFICATION

- Aa- SEAT
- Bb- SEAT SUPPORT(X2)
- Cc- LEGS(X2)
- Dd- SEAT BASE(X2)
- Ee- CROSSBAR





LINON HOME DECOR PRODUCTS, INC.

STEP 1)

- 1.1 INSERT (12) WOOD DOWELS (7) INTO HOLES LOCATED AT UPPER END OF LEGS #Cc AND CORSSBAR #Ee AS SHOWN IN FIGURE 1.

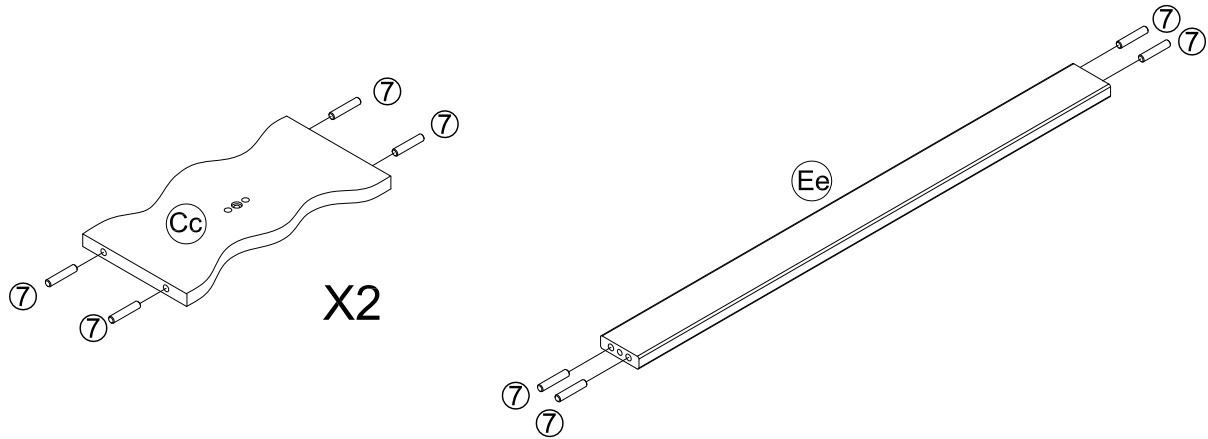


FIGURE 1

STEP 2)

- 2.1 ATTACH SEAT BASE #Dd TO LEG #Cc THROUGH FITTING DOWELS LOCATED AT LOWER END OF LEG #Cc INTO HOLES LOCATED ON UPPER EDGE OF BASE #Dd USING PRE-DRILLED HOLES AS GUIDE, SECURE CONNECTION WITH (02) SCREWS (5). DRIVEN WITH PHILLIPS HEAD SCREW DRIVER (NOT ATTACHED) AS SHOWN IN FIGURE 2. REPEAT PROCEDURE FOR SECOND LEG #Cc.
- 2.2 ATTACH SEAT SUPPORT #Bb TO LEG #Cc FITTING THE DOWELS LOCATED ON UPPER END OF LEG #Cc INTO HOLES LOCATED ON SUPPORT #Bb. USING PRE-DRILLED HOLES AS GUIDE, SECURE CONNECTION WITH (02) SCREWS (5) DRIVEN WITH PHILLIPS HEAD SCREW DRIVER (NOT ATTACHED). AS SHOWN IN FIGURE 2. REPEAT PROCEDURE FOR SECOND TOP SUPPORT #Bb.

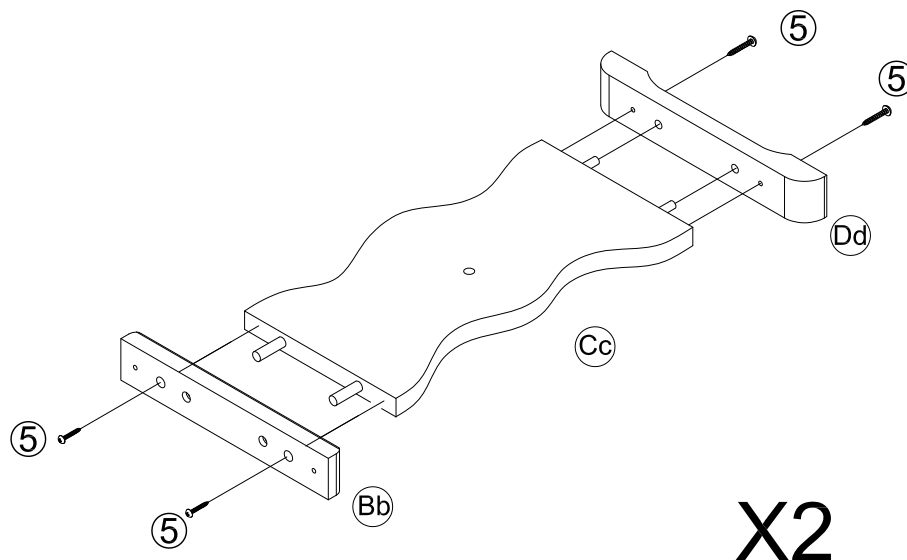


FIGURE 2



LINON HOME DECOR PRODUCTS, INC.

STEP 3)

- 3.1 ATTACH CROSSBAR #Ee TO LEGS #Cc INSERTING WOOD DOWELS LOCATED AT ENDS OF CROSSBAR INTO HOLES LOCATED ON LEGS. SECURE CONNECTION USING (02) SCREWS ⑧ AND (02) NUTS ⑨. AS SHOWN IN FIGURE 3.

INSERT (02) WOOD HOLE COVERS ⑥ INTO HOLES LOCATED AT LEGS #Cc AS SHOWN IN FIGURE 3.

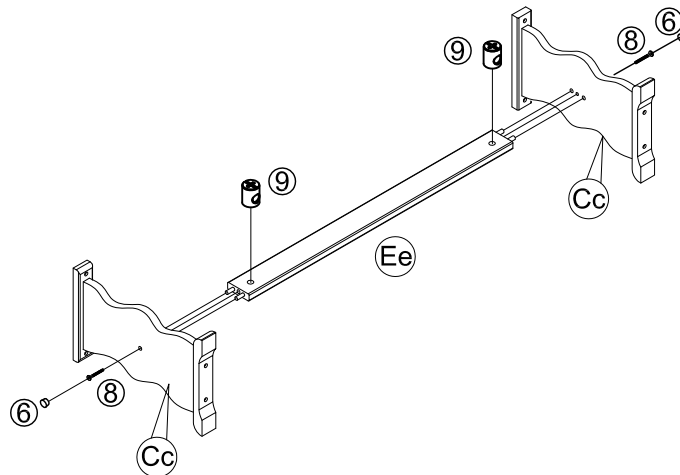


FIGURE 3

STEP 4)

- 4.1 ATTACH ASSEMBLED LEGS TO SEAT #Aa THROUGH FITTING WOOD DOWELS PRESENT IN UPPER SIDE OF SEAT SUPPORTS #Bb INTO HOLES LOCATED UNDERNEATH OF SEAT #Aa AS SHOWN IN FIGURE 4. IT SERVES AS GUIDE ENABLING YOU TO CONNECT THE LEGS IN CORRECT POSITION.
- 4.2 USING PRE-DRILLED HOLES AS GUIDE, SECURE CONNECTION WITH (04) SCREWS ④ DRIVEN WITH PHILLIPS HEAD SCREW DRIVER (NOT ATTACHED) AS SHOWN IN FIGURE 4.
- 4.3 USING HELP, GENTLY FLIP SEAT WITH BOTH LEGS ON FLOOR AS SHOWN ON PAGE 1. HOLD ON PHILLIPS HEAD SCREW DRIVER (NOT ATTACHED) AND PERIODICALLY CHECK ALL CONNECTIONS FOR TIGHTNESS.

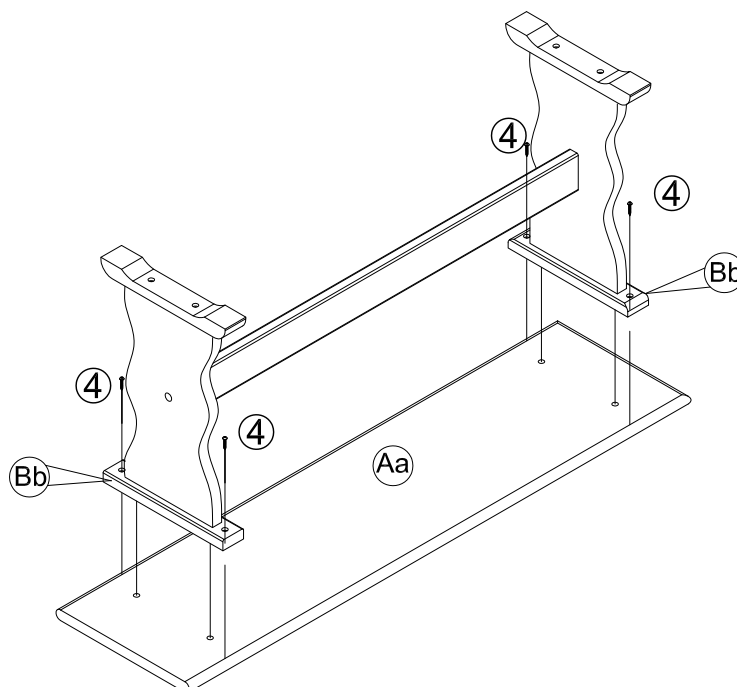


FIGURE 4