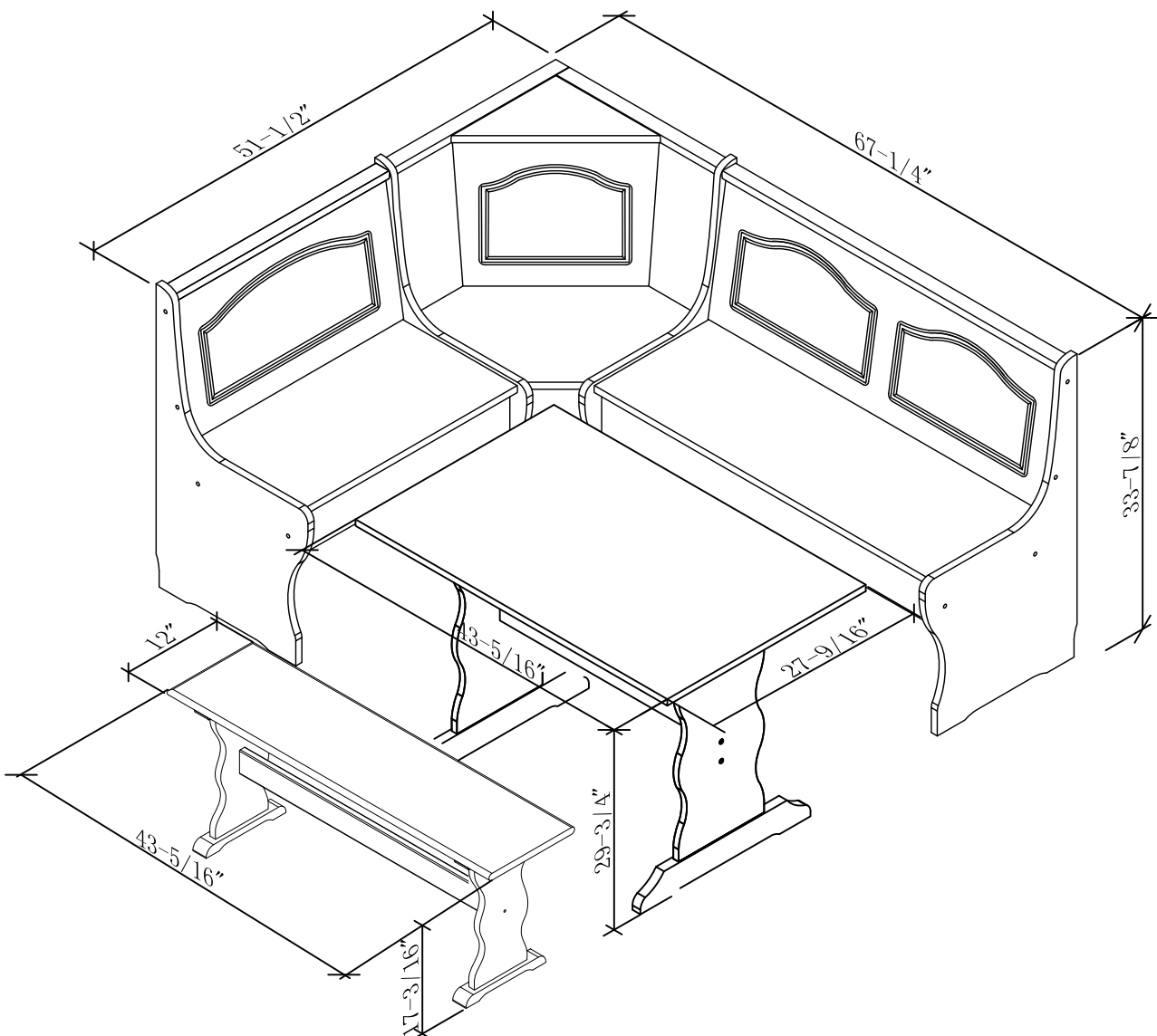




LINON HOME DECOR PRODUCTS, INC.

ASSEMBLY INSTRUCTION

**CHELSEA NOOK CORNER UNIT
MODEL# 90366N2-01-KD-U
Sears# 14030 box 2 of 3**



MADE IN CHINA


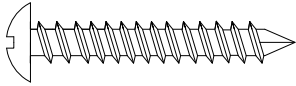
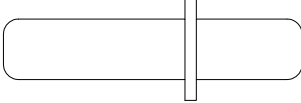
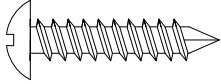
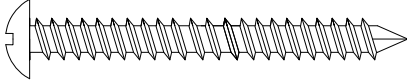

FOR LINON HOME DECOR PRODUCTS INC BY CH46



HARDWARE PACKAGE COUNT (CORNER BENCH)

OPEN HARDWARE PACKAGE ON A FLAT SURFACE COVERED WITH NEWS-PAPER. COUNT EACH PIECE OF HARDWARE TO MATCH THE QUANTITY NUMBER IN THE HARDWARE IDENTIFICATION COLUMN. FOLLOW THE NUMBER IDENTIFICATION WHEN READING THE ASSEMBLY DRAWING ① THROUGH ⑥

HARDWARE IDENTIFICATION

①		WOOD DOWEL 1-3/16"LONG (FULL SIZE) 8X30mm	36
②		SCREW 1-3/8"LONG (FULL SIZE) 5X35mm	4
③		PLASTIC PIN (FULL SIZE)	4
④		SCREW 1"LONG (FULL SIZE) 5X25mm	49
⑤		SCREW 2"LONG (FULL SIZE) 5X50mm	16
⑥		WOOD HOLE COVER (FULL SIZE)	8

TOOLS REQUIRED FOR ASSEMBLY: PHILLIPS SCREWDRIVER (NOT PROVIDED)



LINON HOME DECOR PRODUCTS, INC.

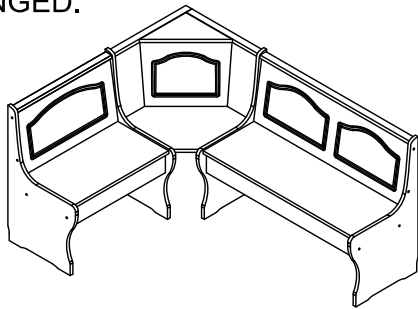
SELECT THE LAYOUT OF THE BENCH

THIS ITEM IS REVERSIBLE AND CAN BE INSTALLED EITHER WITH THE LARGE BENCH AT YOUR LEFT HAND SIDE (LEFT SIDE INSTALLATION) OR WITH THE LARGE BENCH AT YOUR RIGHT HAND SIDE (RIGHT SIDE INSTALLATION).

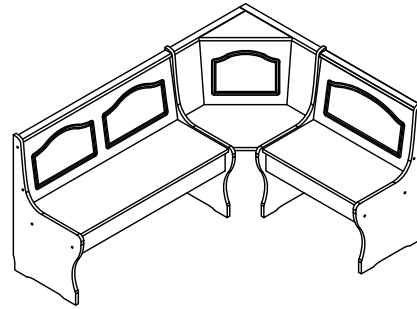
THIS INSTRUCTION IS MADE FOR RIGHT HAND INSTALLATION.

IF YOU SELECT THE LEFT HAND INSTALLATION THEN YOU HAVE TO SWITCH ALL THE PARTS LOCATED AT RIGHT PART (I,K,L,M AND O) TO LEFT PART AND THE PARTS LOCATED AT LEFT PART (B,D,E,G AND P) TO RIGHT PART.

ATTENTION: OUTSIDE LEGS F AND H PLUS CENTRAL PIECES (A,C,J,N,Q AND R) REMAIN UNCHANGED.



RIGHT SIDE INSTALLATION



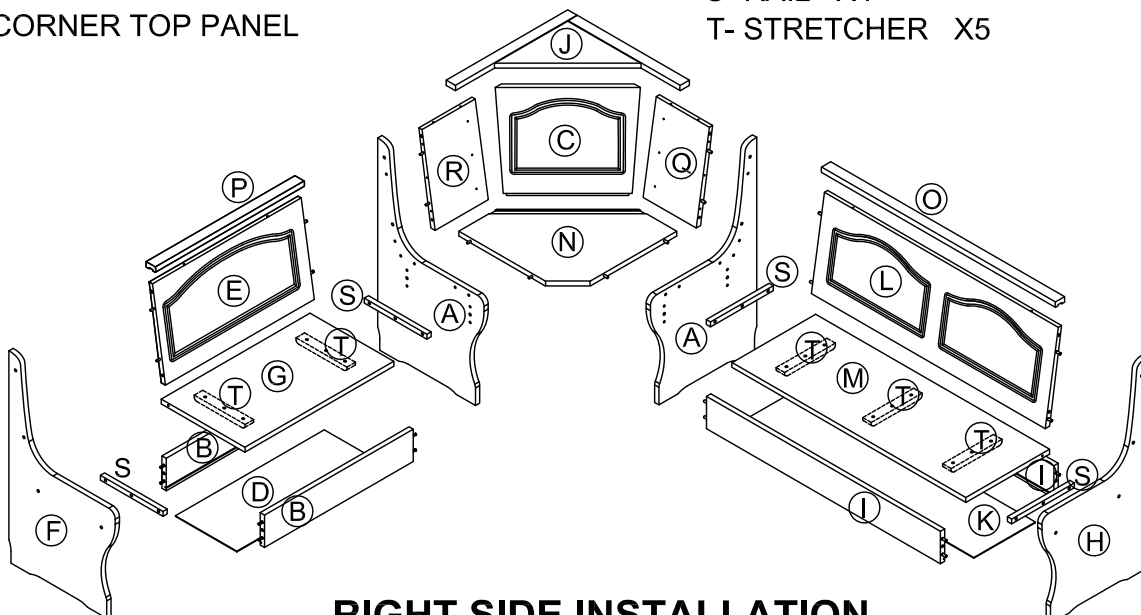
LEFT SIDE INSTALLATION

NOTE: BEFORE STARTING THE ASSEMBLY PROCESS, ALL PARTS SHOULD BE SEPARATED ACCORDING TO THE ITEM THEY BELONG TO. FOR BETTER IDENTIFICATION OF ALL PARTS, PLEASE USE PART IDENTIFICATION LIST BELOW FOR THE CORNER BENCH, THE PART IDENTIFICATION LIST IS SEPARATE ON EACH OF THE INSTRUCTIONS FOR THE NOOK, THE BENCH AND THE TABLE.

PARTS IDENTIFICATION

A- MIDDLE LEGS(RIGHT AND LEFT) X2
 B- SINGLE BENCH FRONT AND BACK RAILS X2
 C- CENTER BACK PANEL
 D- SINGLE BENCH STORAGE BOTTOM
 E- SINGLE BENCH BACK REST
 F- LEFT OUTSIDE LEG
 G- SINGLE BENCH SEAT COVER
 H- RIGHT OUTSIDE LEG
 I - DOUBLE BENCH FRONT AND BACK RAILS X2
 J - CORNER TOP PANEL

K- DOUBLE BENCH STORAGE BOTTOM
 L- DOUBLE BENCH BACK REST
 M- DOUBLE BENCH SEAT COVER
 N- CORNER SHELF
 O- TOP RAIL FOR DOUBLE BACK REST
 P- TOP RAIL FOR SINGLE BACK REST
 Q- RIGHT CORNER BACK PANEL
 R- LEFT CORNER BACK PANEL
 S- RAIL X4
 T- STRETCHER X5



RIGHT SIDE INSTALLATION



LINON HOME DECOR PRODUCTS, INC.

STEP 1)

1.1 INSERT (32) WOOD DOWELS ① INTO HOLES LOCATED ON EDGES OF THE PART (I,B,E,L,Q,R, N); (4) PLASTIC PIN ③ INTO HOLES LOCATED ON EDGES OF THE PART (G,M); (27) SCREW ④ INTO HOLES LOCATED ON EDGES OF THE PARTS (A,F,H,M,G). AS SHOWN IN FIGURE 1:

- DOUBLE BENCH FRONT AND BACK RAILS #I
- SINGLE BENCH FRONT AND BACK RAILS #B
- SINGLE BENCH BACK REST #E
- DOUBLE BENCH BACK REST #L
- RIGHT CORNER BACK PANEL #Q
- LEFT CORNER BACK PANEL #R
- DOUBLE BENCH SEAT COVER #M
- CORNER SHELF #N
- SINGLE BENCH SEAT COVER #G
- MIDDLE LEGS(RIGHT AND LEFT) #A
- LEFT OUTSIDE LEG #F
- RIGHT OUTSIDE LEG #H
- RAIL #S
- STRETCHER #T

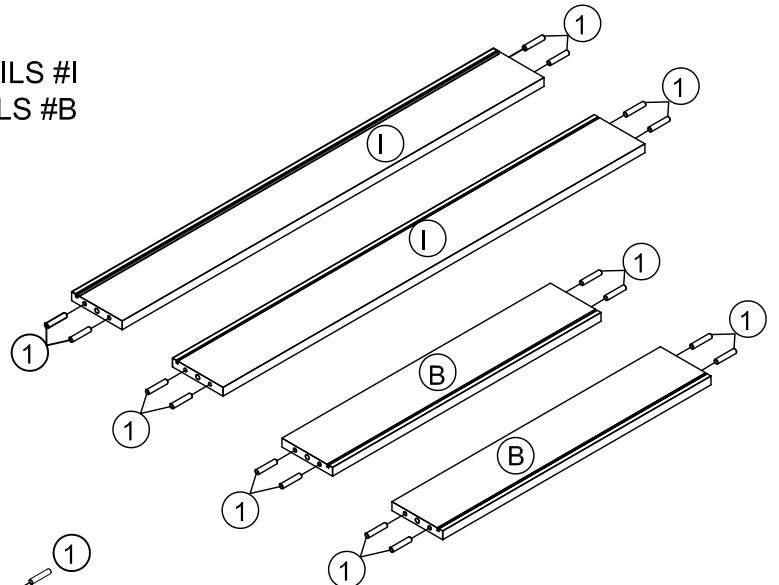
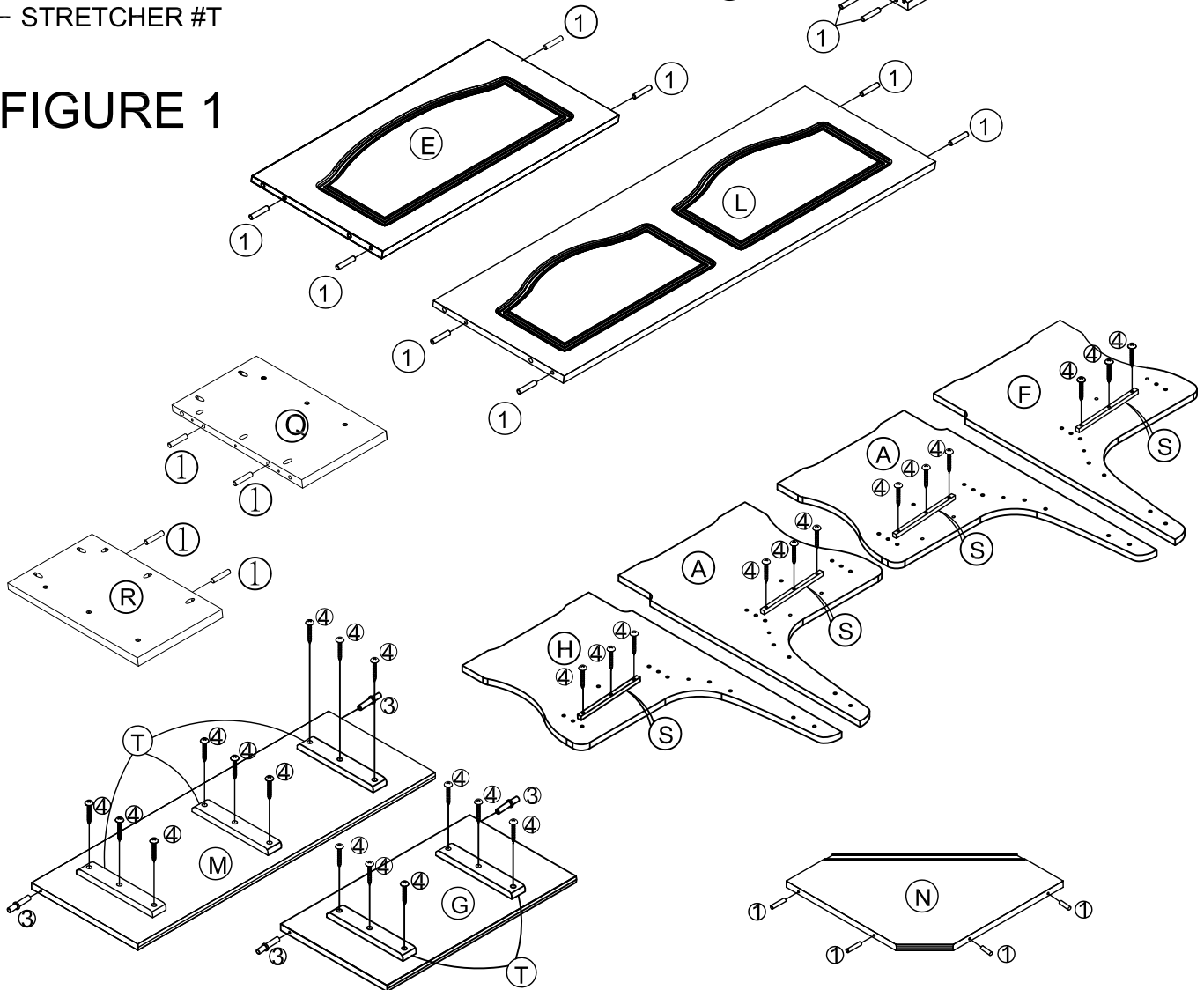


FIGURE 1





STEP 2)

- 2.1 PLACE MIDDLE LEG #A USING (02) SCREWS ⑤ ON FLOOR. ATTACH SINGLE BENCH FRONT AND BACK RAILS #B (2X) TO MIDDLE LEG #A, INSERT (02) WOOD DOWEL ① INTO HOLES LOCATED ON THE MIDDLE LEG #A AND LEFT OUTSIDE LEG #F, AS SHOWN IN FIGURE 2.1
- 2.2 INSERT SINGLE BENCH STORAGE BOTTOM #D THROUGH GROOVE LOCATED ON SINGLE BENCH FRONT AND BACK RAILS #B, AS SHOWN IN FIGURE 2.2
- 2.3 WITH MIDDLE LEG #A PLACED ON FLOOR ATTACH SINGLE BENCH BACK REST #E TO MIDDLE LEG #A. USING PRE-DRILLED HOLES AS GUIDE, USE (02) SCREWS ⑤ AND PHILLIPS HEAD SCREWDRIVER (NOT PROVIDED) TO SECURE, AS SHOWN IN FIGURE 2.3
- 2.4 REMEMBER THAT LEG #A IS NOT SECURED IN ITS PLACE YET SO HOLDING IT TIGHT TO PARTS #E, #B AND #D, INSERT THE SINGLE BENCH SEAT COVER #G THROUGH GROOVE LOCATED ON SINGLE BENCH BACK RAIL #B AND SINGLE BENCH BACK REST #E, THEN ATTACH LEG #F TO PIECES PREVIOUSLY ATTACHED ON MIDDLE LEG #A. USING PRE-DRILLED HOLES AS GUIDE, USE (04) SCREWS ⑤ AND PHILLIPS HEAD SCREWDRIVER (NOT PROVIDED) TO SECURE, AS SHOWN IN FIGURE 2.4

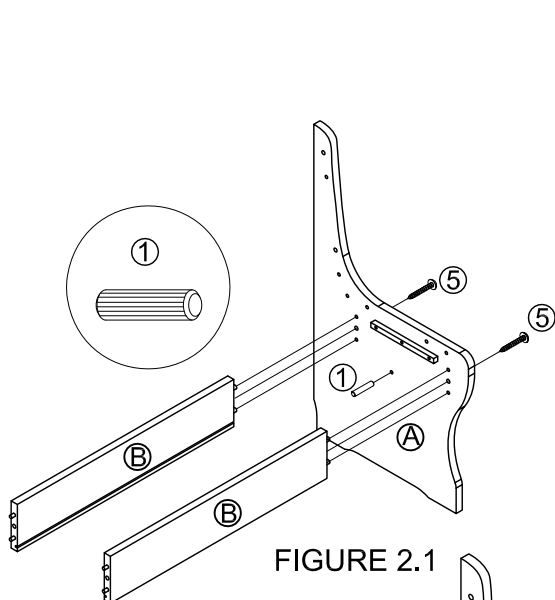


FIGURE 2.1

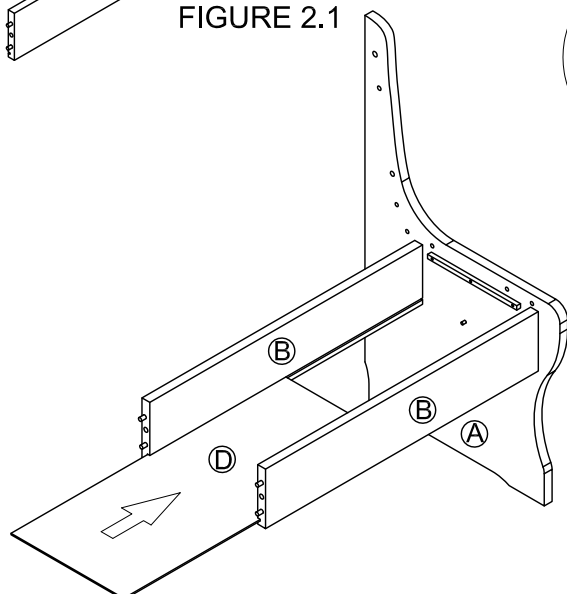


FIGURE 2.2

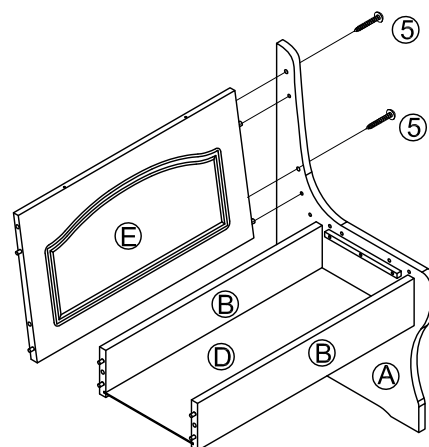


FIGURE 2.3

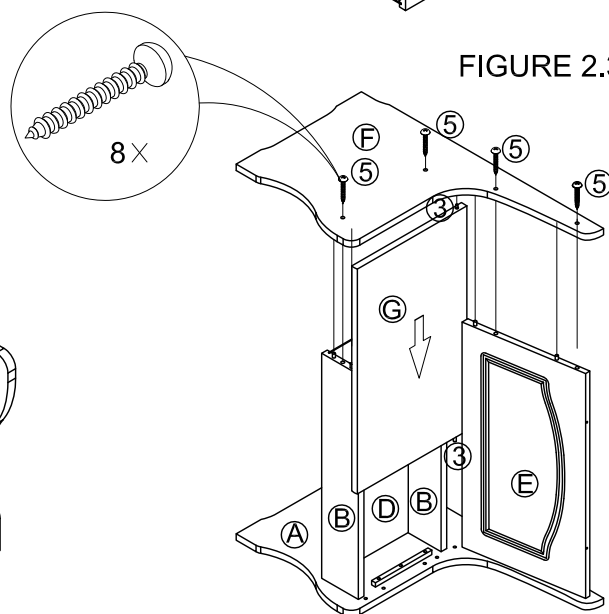


FIGURE 2.4



STEP 3)

- 3.1 PLACE MIDDLE LEG #A ON FLOOR. ATTACH DOUBLE BENCH FRONT AND BACK RAILS #I TO MIDDLE LEG #A. USING PRE-DRILLED HOLES AS GUIDE, USING (02) SCREWS ⑤ AND PHILLIPS HEAD SCREWDRIVER (NOT PROVIDED) TO SECURE, INSERT (02) WOOD DOWELS ① INTO HOLES LOCATED ON THE MIDDLE LEG RIGHT #A AND RIGHT OUTSIDE LEG #H. AS SHOWN IN FIGURE 3.1
- 3.2 INSERT DOUBLE BENCH STORAGE BOTTOM #K THROUGH GROOVE LOCATED ON DOUBLE BENCH FRONT AND BACK RAILS #I, AS SHOWN IN FIGURE 3.2
- 3.3 WITH MIDDLE LEG #A PLACED ON FLOOR. ATTACH DOUBLE BENCH BACK REST #L TO MIDDLE LEG #A. USING PRE-DRILLED HOLES AS GUIDE, USING (02) SCREWS ⑤ AND PHILLIPS HEAD SCREWDRIVER (NOT PROVIDED), AS SHOWN IN FIGURE 3.3
- 3.4 REMEMBER THAT LEG #A IS NOT SECURED IN ITS PLACE YET SO HOLDING IT TIGHT TO PARTS #L, #I AND #K, INSERT THE DOUBLE BENCH SEAT COVER #M THROUGH GROOVE LOCATED ON DOUBLE BENCH BACK RAIL #I AND DOUBLE BENCH BACK REST #L, THEN ATTACH LEG #H TO PIECES PREVIOUSLY ATTACHED ON MIDDLE LEG #A. USING PRE-DRILLED HOLES AS GUIDE, USING (04) SCREWS ⑤ AND PHILLIPS HEAD SCREWDRIVER (NOT PROVIDED), AS SHOWN IN FIGURE 3.4

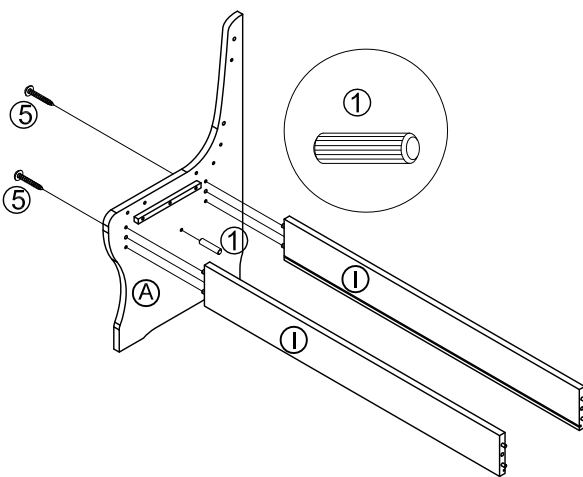


FIGURE 3.1

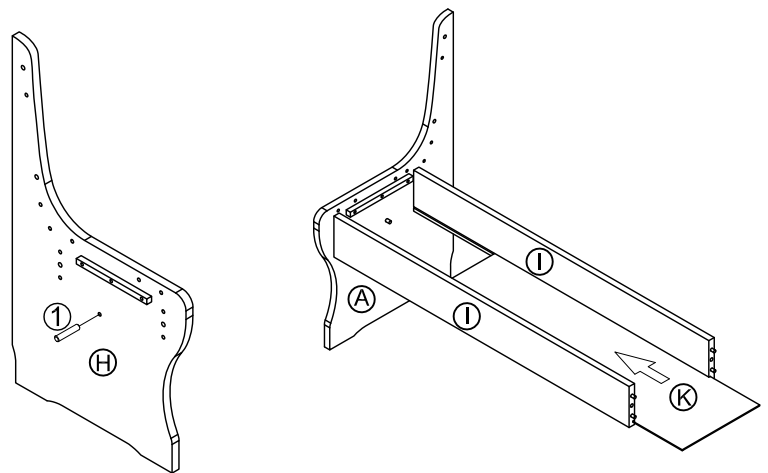


FIGURE 3.2

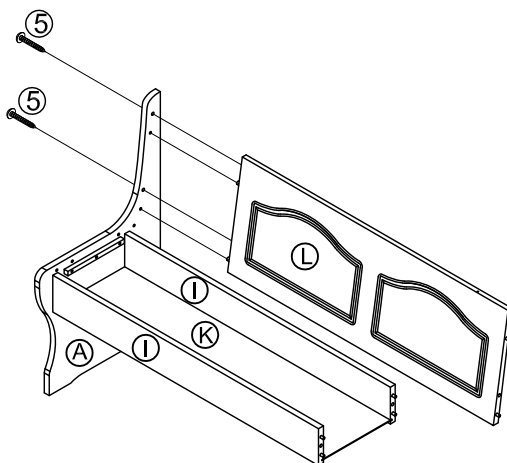


FIGURE 3.3

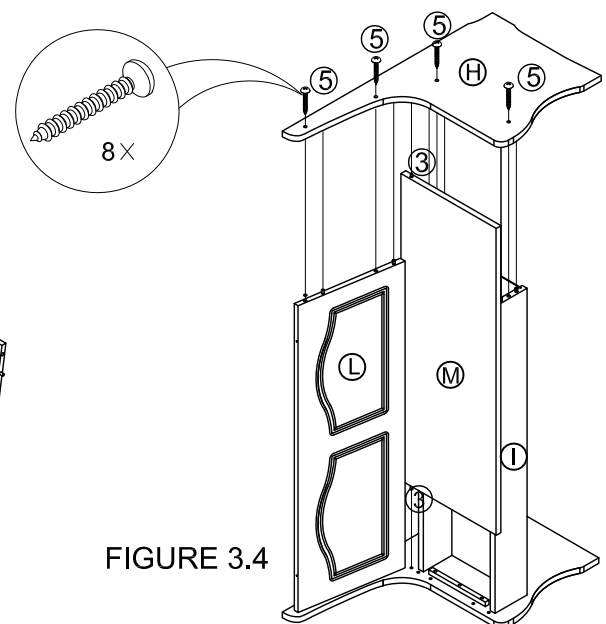


FIGURE 3.4

FIGURE 3



STEP 4)

- 4.1 ATTACH CORNER SHELF #N TO MIDDLE LEGS #A (RIGHT AND LEFT), INSERTING WOOD DOWELS LOCATED ON CORNER SHELF EDGE INTO HOLES LOCATED ON SIDE OF MIDDLE LEGS. SECURE WITH (04) SCREWS ② USING PHILLIPS HEAD SCREWDRIVER (NOT PROVIDED). AS SHOWN IN FIGURE 4.
- 4.2 INSERT (08) WOOD HOLE COVERS ⑥ INTO HOLES LOCATED ON LEFT AND RIGHT OUTSIDE LEGS #F AND #H. AS SHOWN IN FIGURE 4.

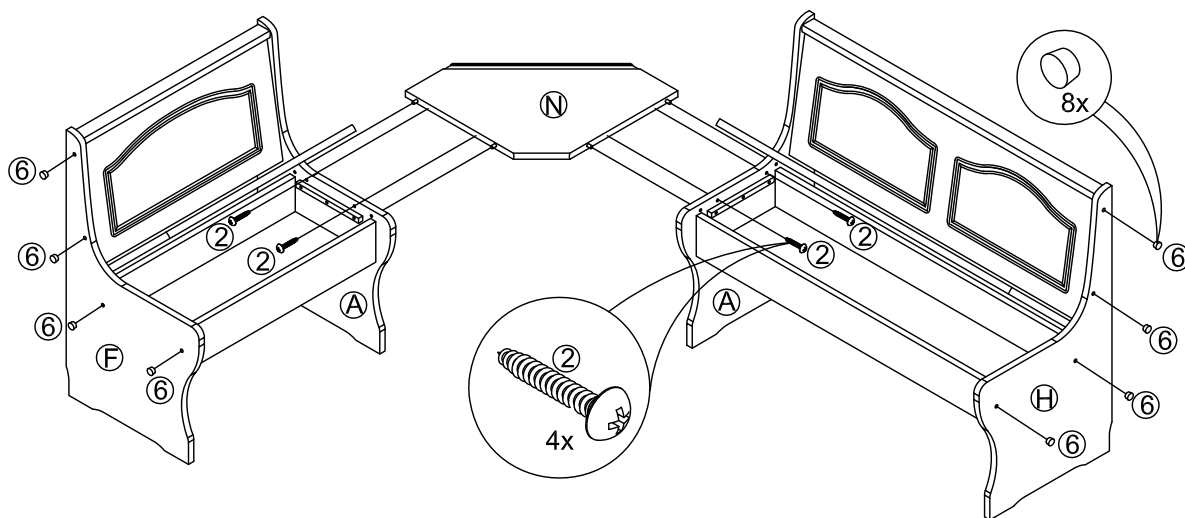


FIGURE 4

STEP 5)

- 5.1 ATTACH LEFT CORNER BACK PANELS #R AND RIGHT CORNER BACK PANEL #Q TO SIDE OF MIDDLE LEGS #A (RIGHT AND LEFT).
- 5.2 SECURE USING (06) SCREWS ④ AND PHILLIPS HEAD SCREWDRIVER (NOT PROVIDED), AS SHOWN IN FIGURE 5.

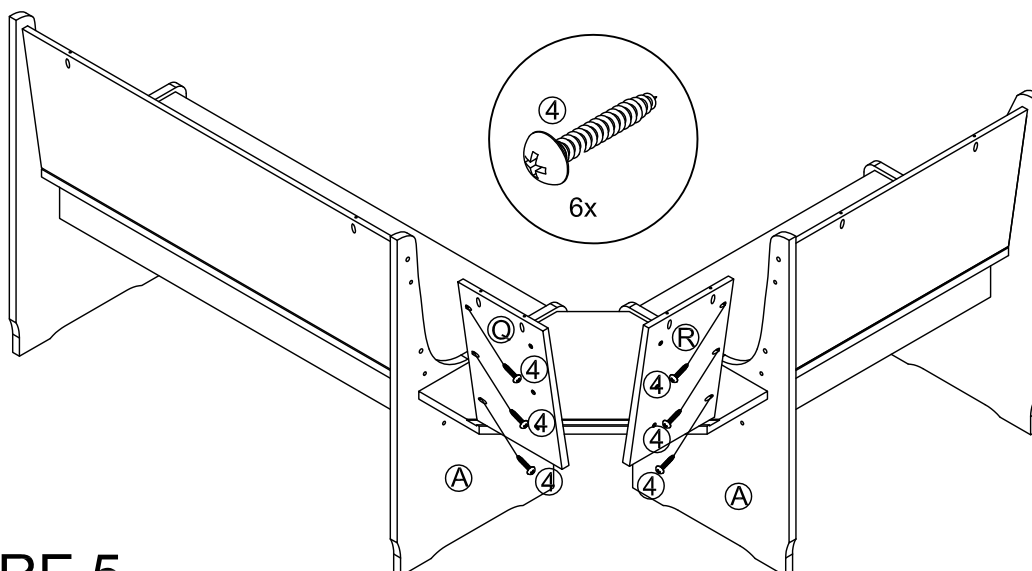


FIGURE 5



LINON HOME DECOR PRODUCTS, INC.

STEP 6)

- 6.1 CONNECT CENTER BACK PANEL #C WITH CORNER BACK PANEL #Q AND #R. INSERTING (06) SCREWS ④ THROUGH HOLES LOCATED UNDERNEATH OF CORNER BACK PANEL #Q AND #R REACHING THE CENTER BACK PANELS #C. THEN INSERTING (02) SCREW ④ THROUGH THE PILOT HOLE YOU WILL FIND UNDERNEATH OF CORNER SHELF #N INTO THE CORNER BACK PANEL #Q AND #R, AS SHOWN IN FIGURE 6.

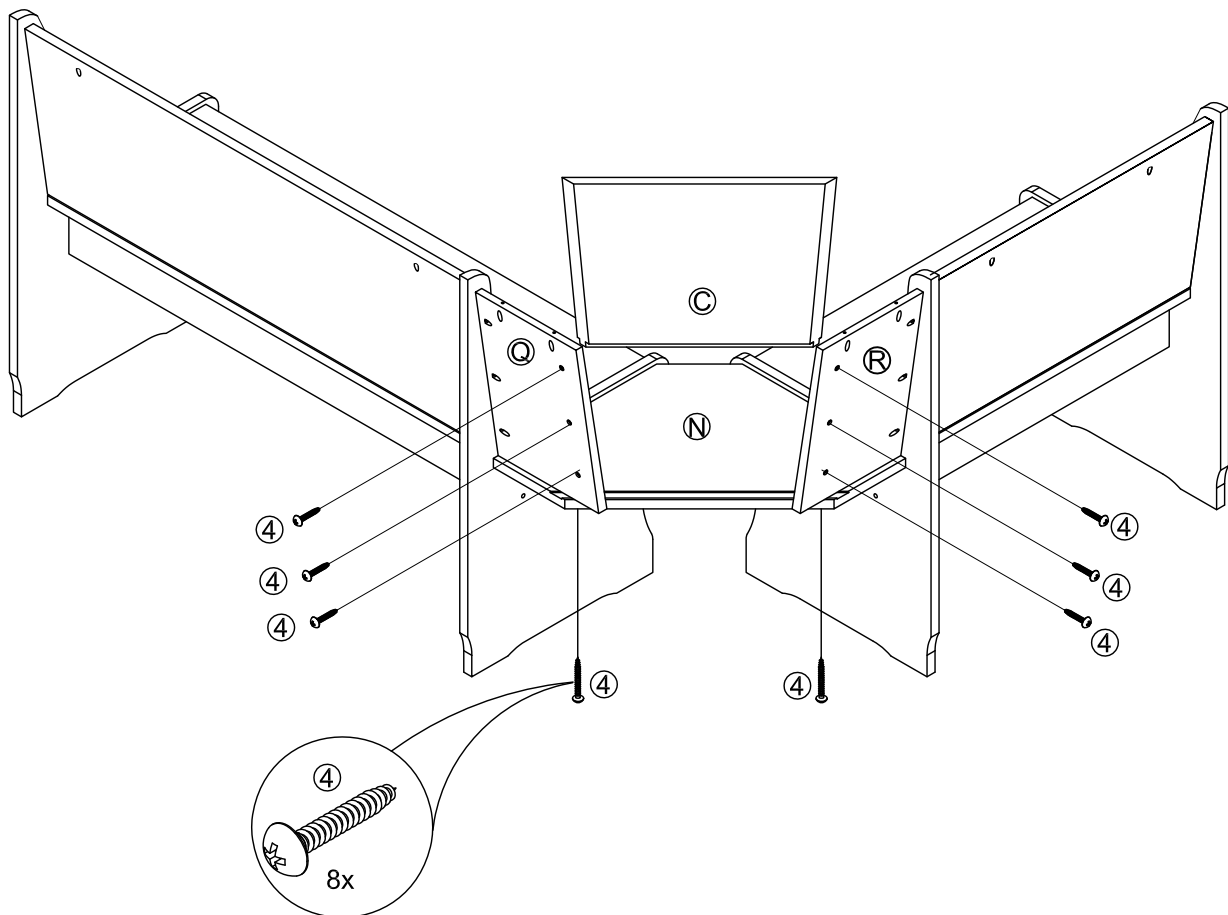


FIGURE 6



LINON HOME DECOR PRODUCTS, INC.

STEP 7)

- 7.1 ATTACH CORNER TOP PANEL #J TO CENTER BACK PANEL #C AND TO RIGHT AND LEFT CORNER BACK PANEL #Q AND #R USING (04) SCREWS ④ AND PHILLIP HEAD SCREWDRIVER (NOT PROVIDED), AS SHOWN IN FIGURE 7.
- 7.2 ATTACH TOP RAIL FOR SINGLE BACK REST #P TO UPPER EDGE OF SINGLE BENCH BACK REST #E, AND ATTACH TOP RAIL FOR DOUBLE BACK REST #O TO UPPER EDGE OF DOUBLE BACK REST #L USING PRE-DRILLED LOCATED ON BACK OF PANELS #E AND #L AS GUIDE, WITH (04) SCREWS ④ USING PHILLIPS HEAD SCREWDRIVER (NOT PROVIDE), AS SHOWN IN FIGURE 7.

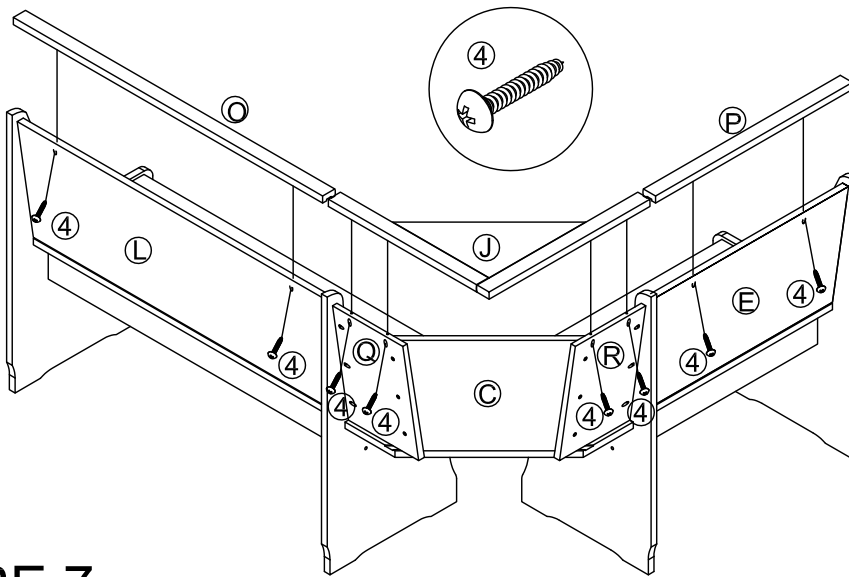
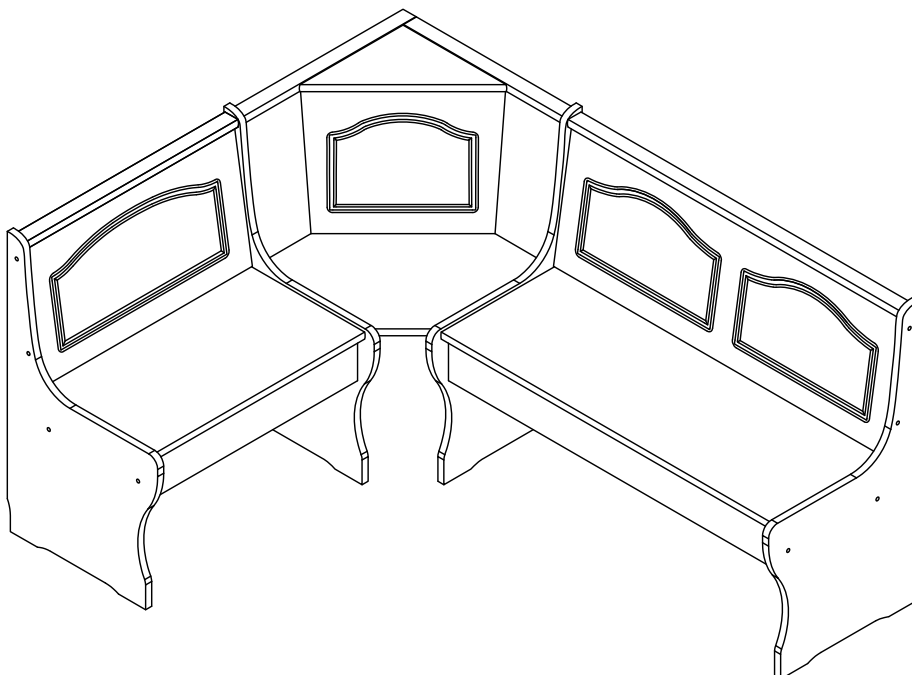


FIGURE 7

USING HELP PLACE THE CORNER BENCH IN ITS FINAL POSITION IN WHICH IT WILL BE USED.



PERIODIACALLY CHECK ALL CONNECTIONS FOR TIGHTNESS AND FURTHER SECURE IF NEEDED