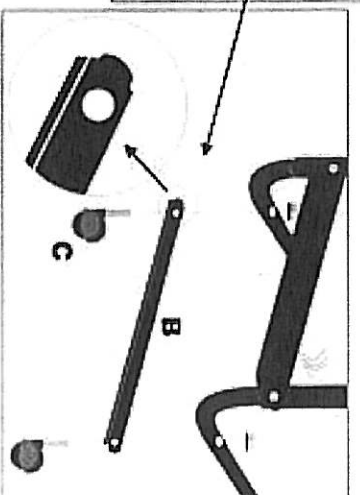
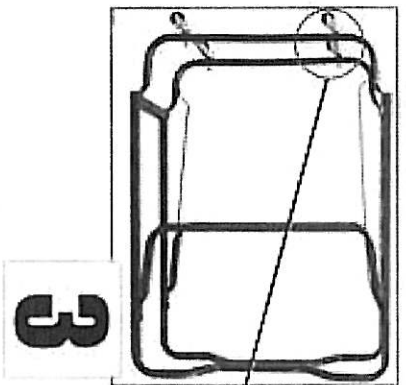
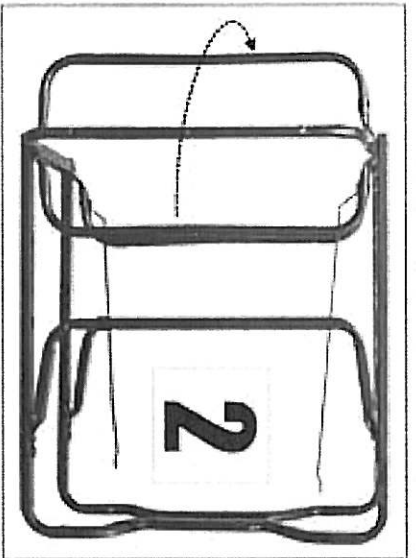
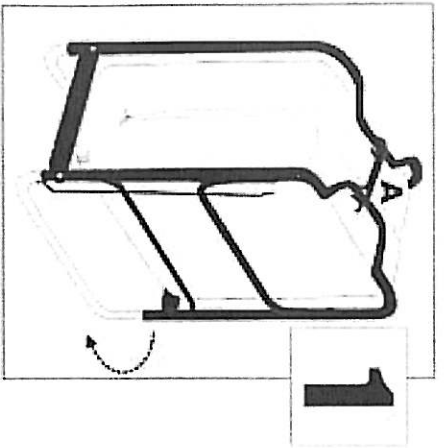
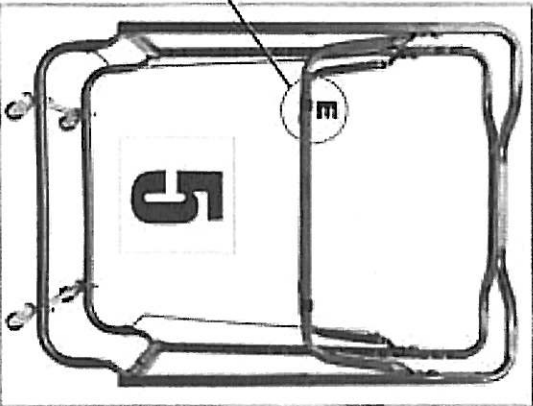
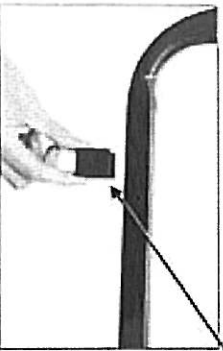
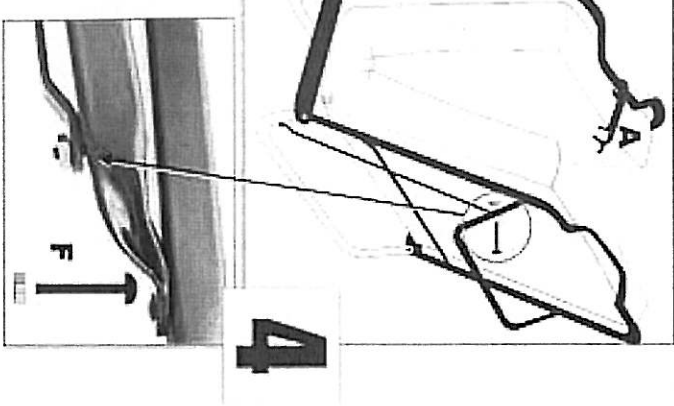


ASSEMBLY INSTRUCTIONS



CONTENTS

A		X 1
B		X 1
C		X 4
D		X 4
E		X 1
F		X 4
		X 2



- Carefully remove outer plastic wrap, cardboard and cut plastic bands.
 - Open bed and remove hardware package.
 - Close bed and snap clip-lock bar (item A). Image 1
Lay folded bed on one side and open two center legs Image 2
 - Place the flat side of the leg-cross bar (item B) across the center legs, aligning holes of cross bar with holes in legs. Insert castor (item C) into hole and secure using nut. Tighten with Allen Key (item D).
Repeat with remaining three castors. Image 3
 - Attach cross bar shown in image 4 to the outer leg using screw and nut (item F).
Tighten with Allen Key (item D). Image 4. This enables the outer legs to open automatically when you open the bed.
 - Stand bed upright and attach four plastic clips by inserting them into the predrilled holes in each outer leg. (item E) Image 5
ATTENTION: Remove plastic wrap from mattress before use
- To Use Bed:**
Release the clip lock bar on the top of the folding bed by pulling upwards.
HOLD HANDLES ON TOP OF THE BED FIRMLY TO PREVENT BED FROM OPENING TOO RAPIDLY.
Slowly lower ONE side of the bed until the leg rests firmly on the floor.
Lower opposite side of the bed until leg rests firmly on the floor.
Bed is now fully open.
After use, fold bed and secure with the clip lock bar.

