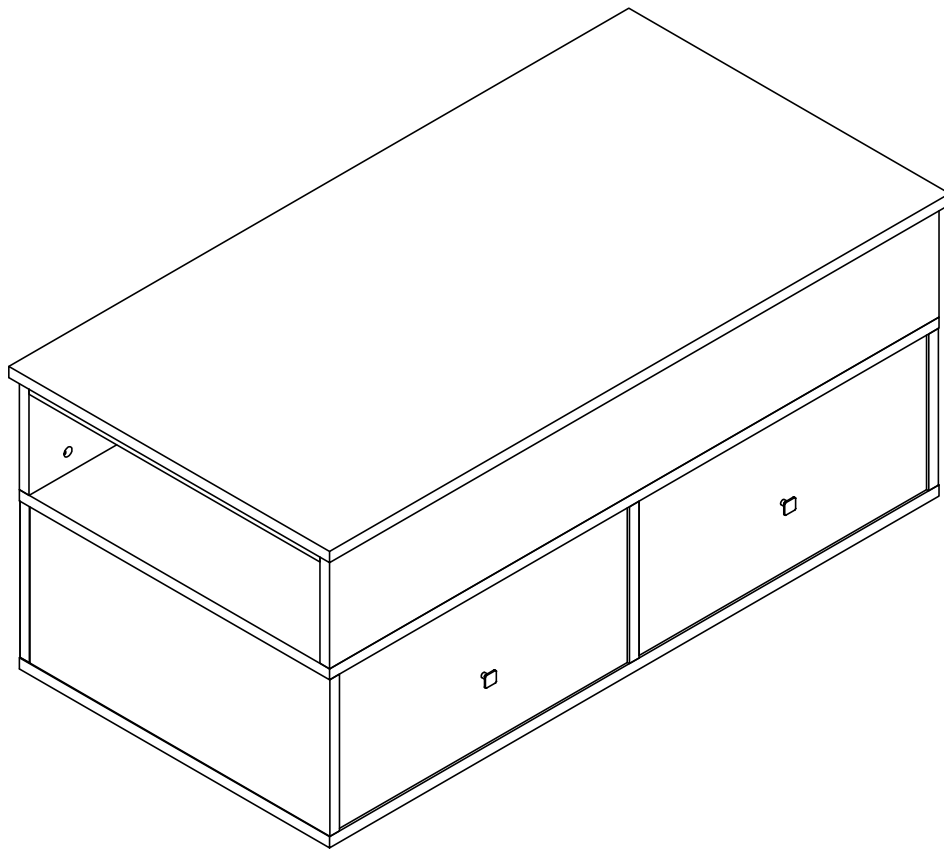
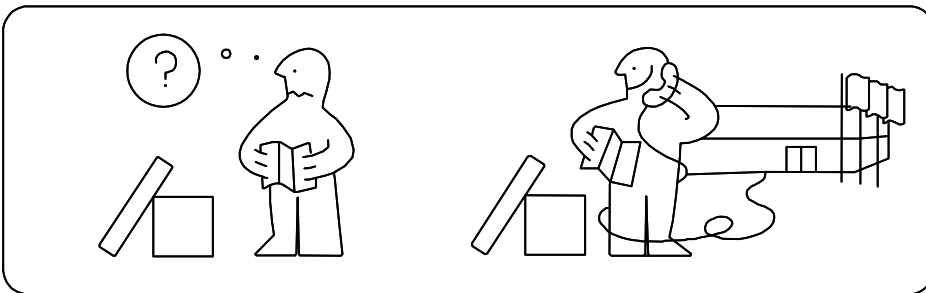
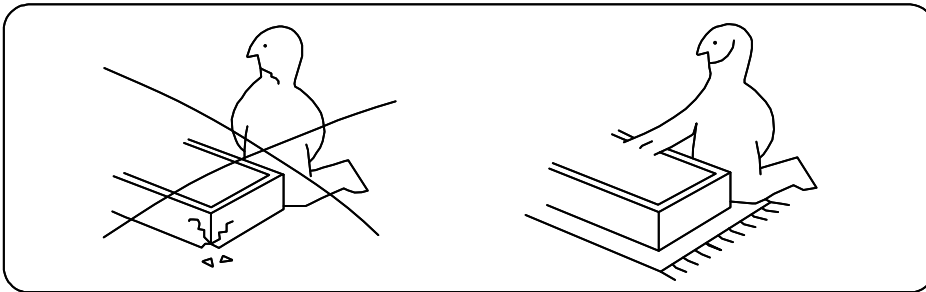
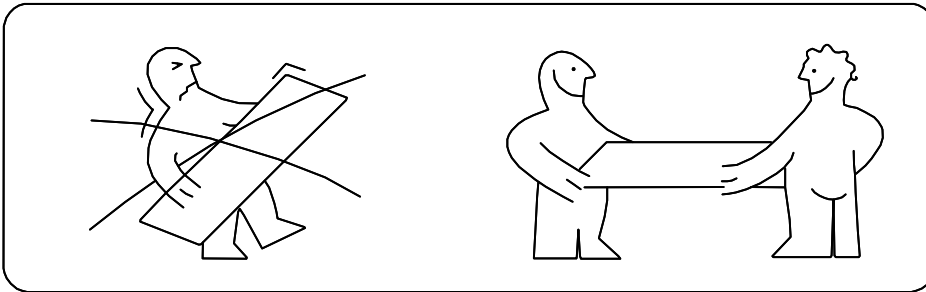
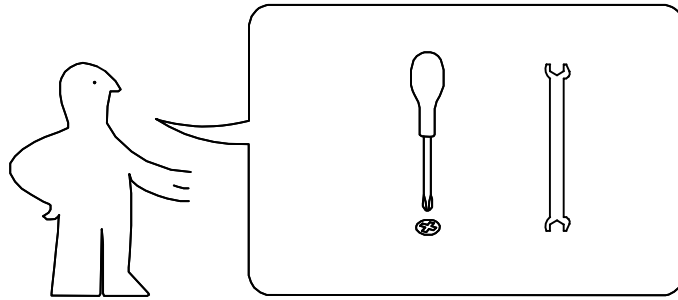
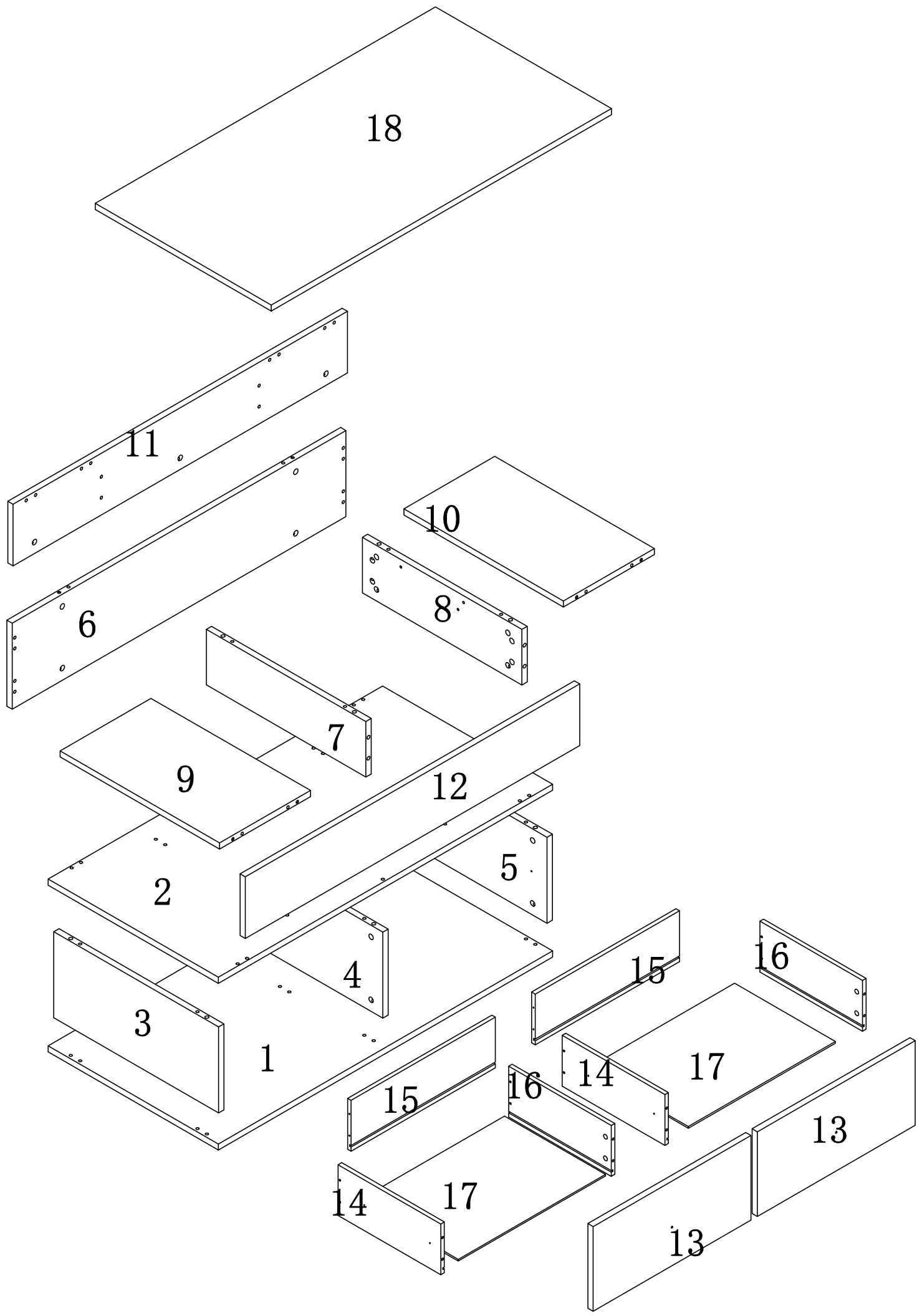


# 98877

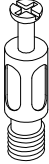








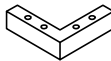
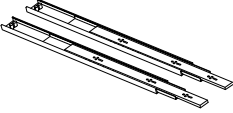

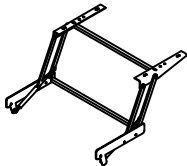
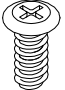
## COFFEE TABLE




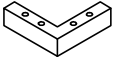


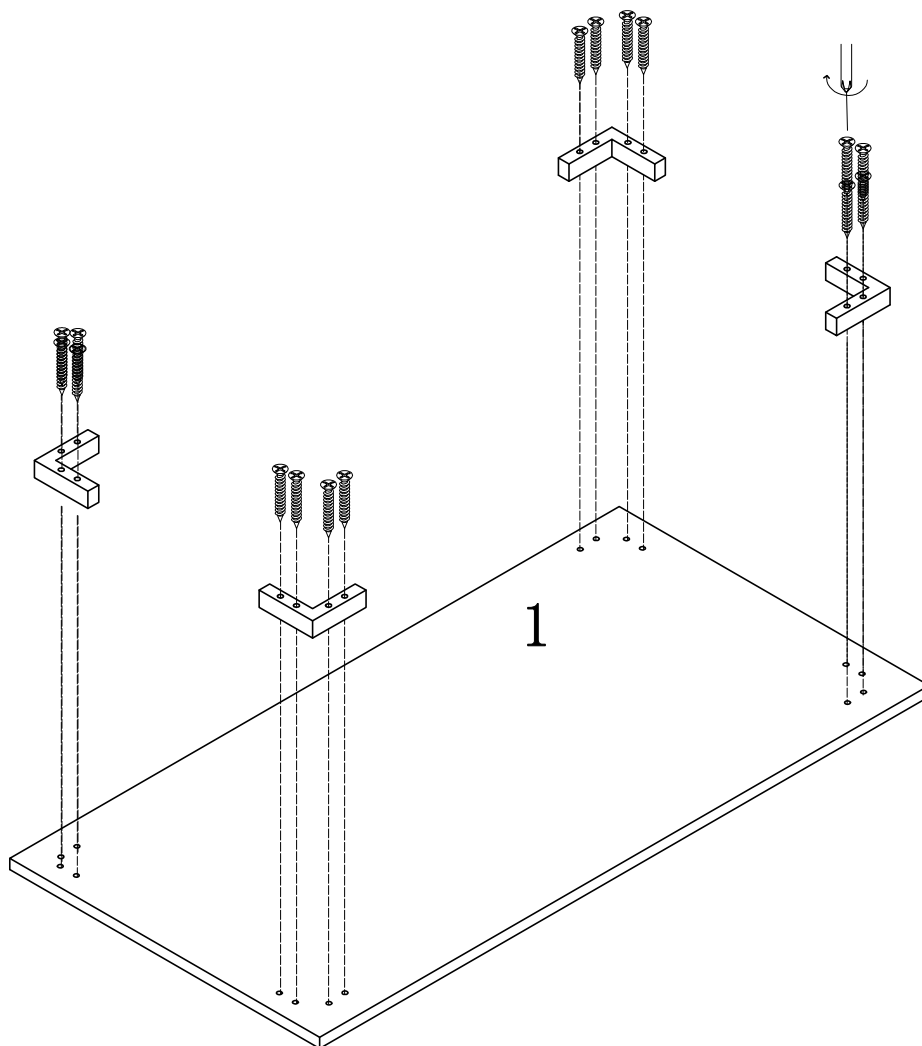


NO.	SIZE	QTY
1/2	1140*580*16	2
3/5	562*254*16	2
4	400*254*16	1
6	1138*254*16	1
7/8	546*164*16	2
9/10	546*310*16	2
11/12	1140*182*16	2
13	541*250*16	2
14/16	350*150*12	4
15	495*150*12	2
17	505*344*5	2
18	1160*600*18	1

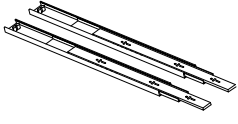
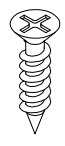
								
A	L=42mm	50pcs	B	φ15*13.5	50pcs	C	φ8*30	40pcs
 								
D	/	8PCS	E	M4*30	24PCS	F	M3*12	16pcs
								
I	M4*16	10PCS	J	/	2PCS	K	/	4pcs
								
M	300mm	2pa	N	M4*16	4PCS	O	/	1PCS
								
P	M6*16	2pcs						

step 1:

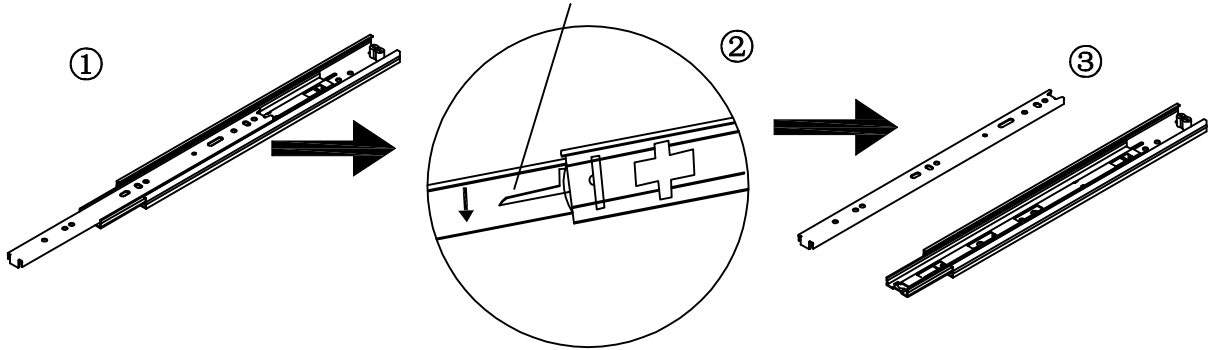
					
E	M4*30	16PCS	K	/	4pcs



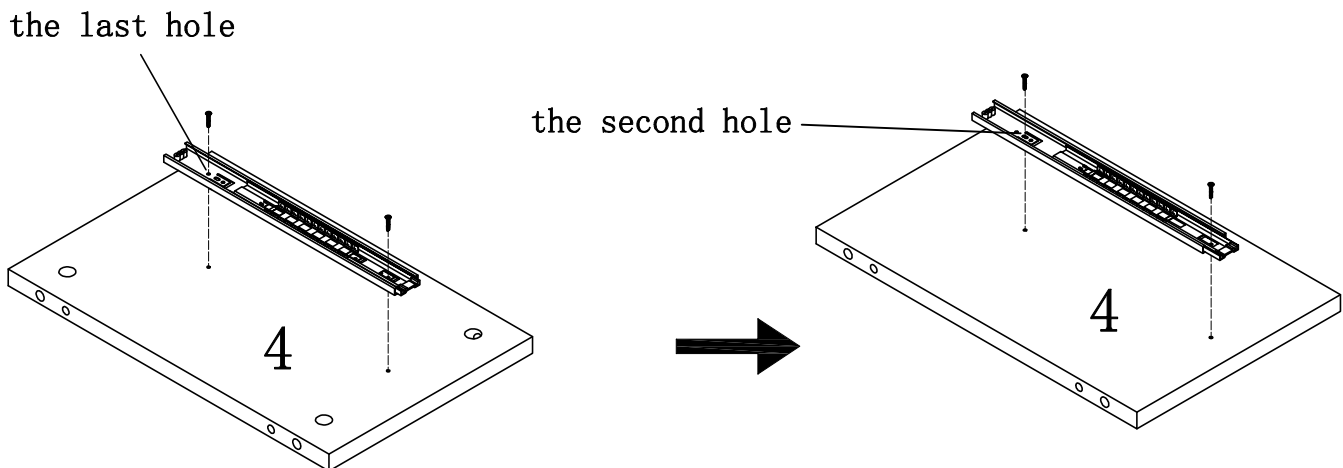
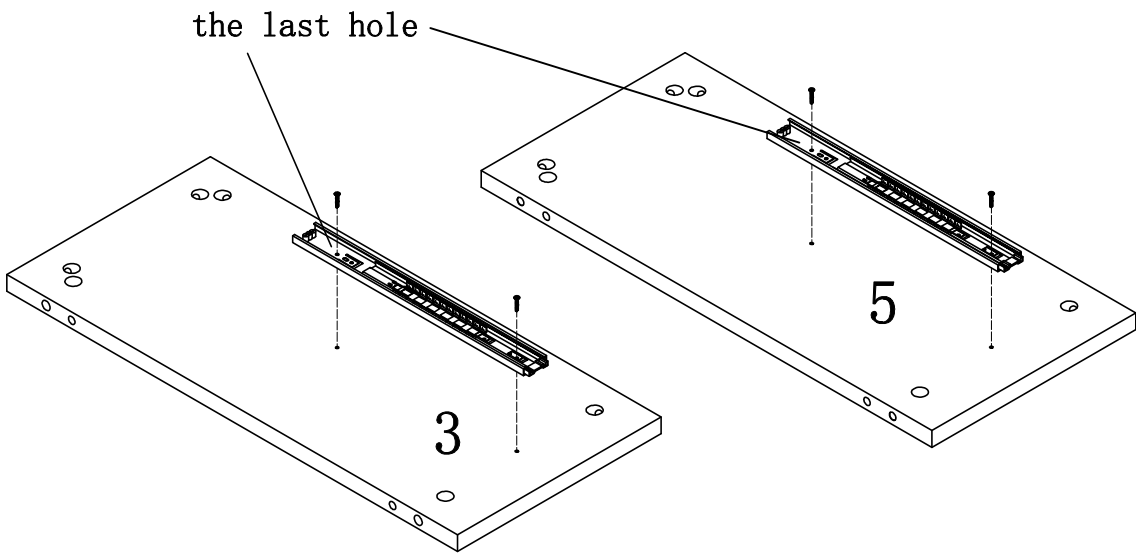
step 2:

					
M	300mm	2pa	F	M3*12	8pcs

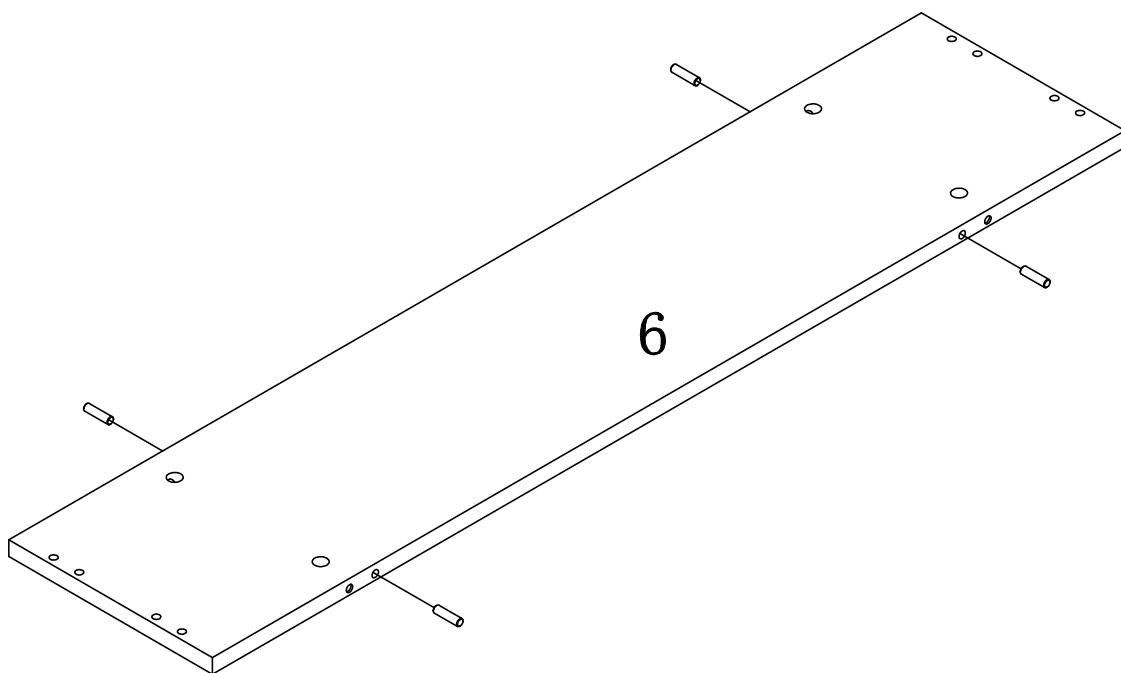
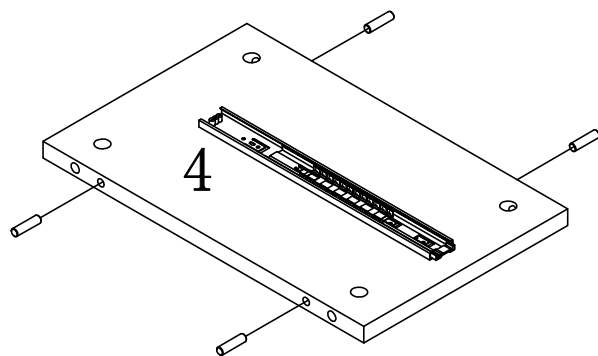
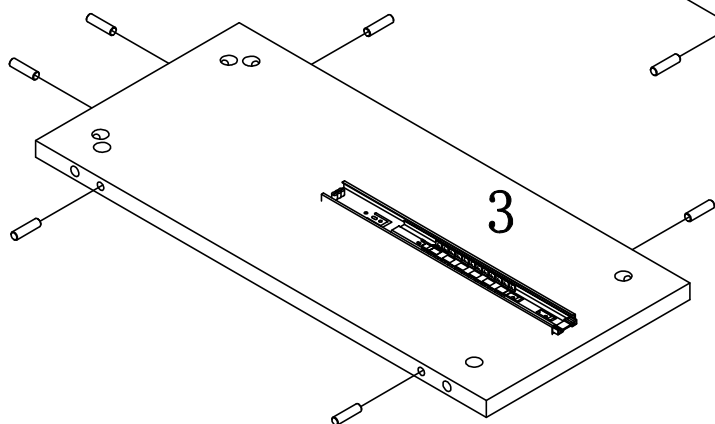
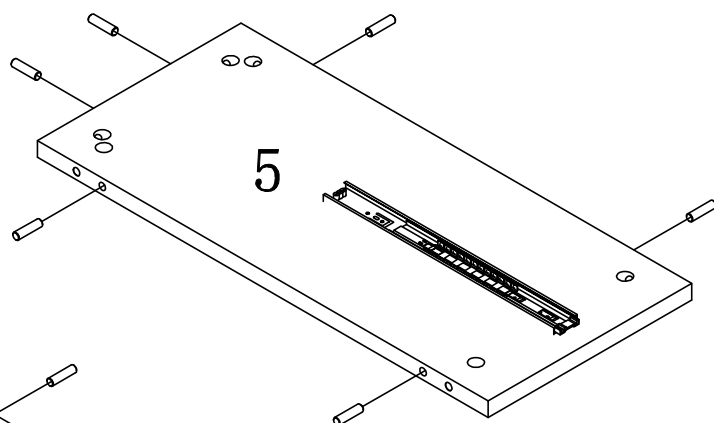
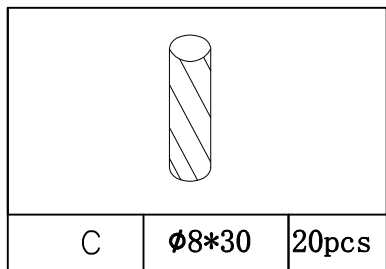
PUSH DOWN LEVER  
& PULL APART



×2

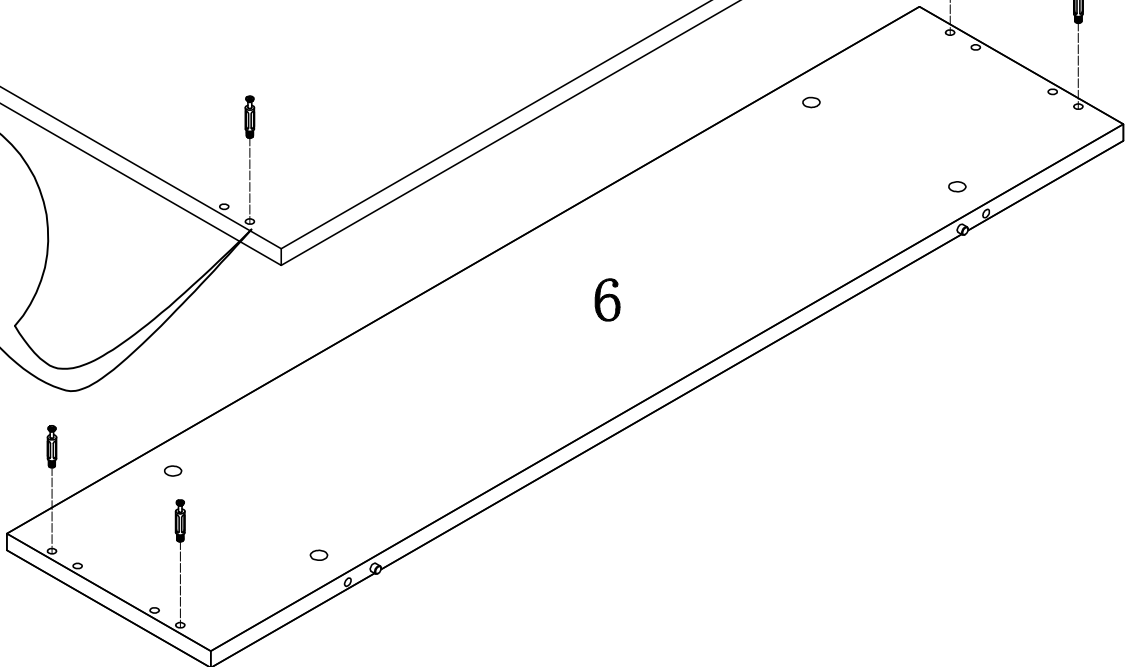
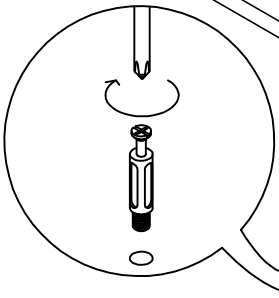
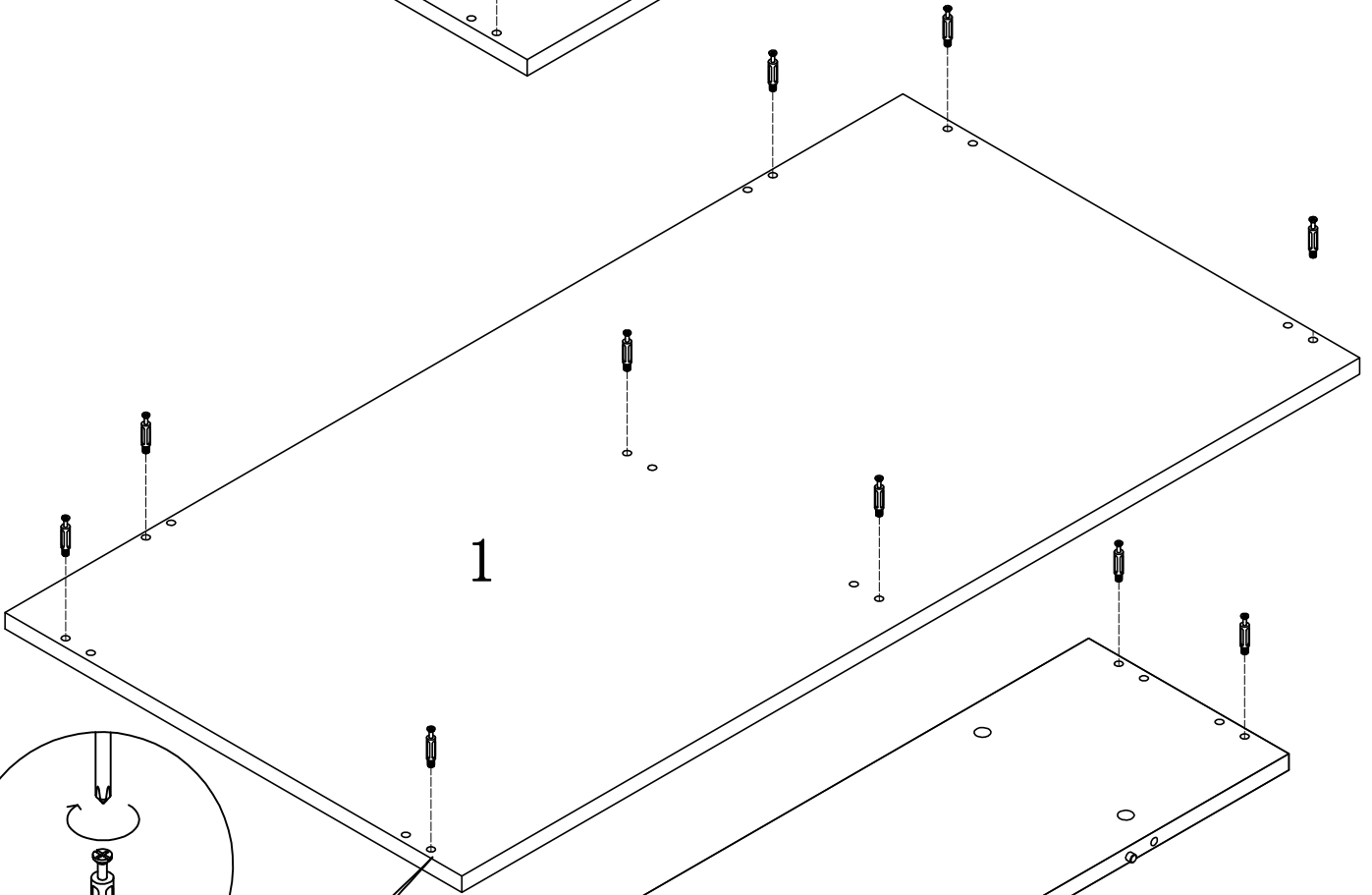
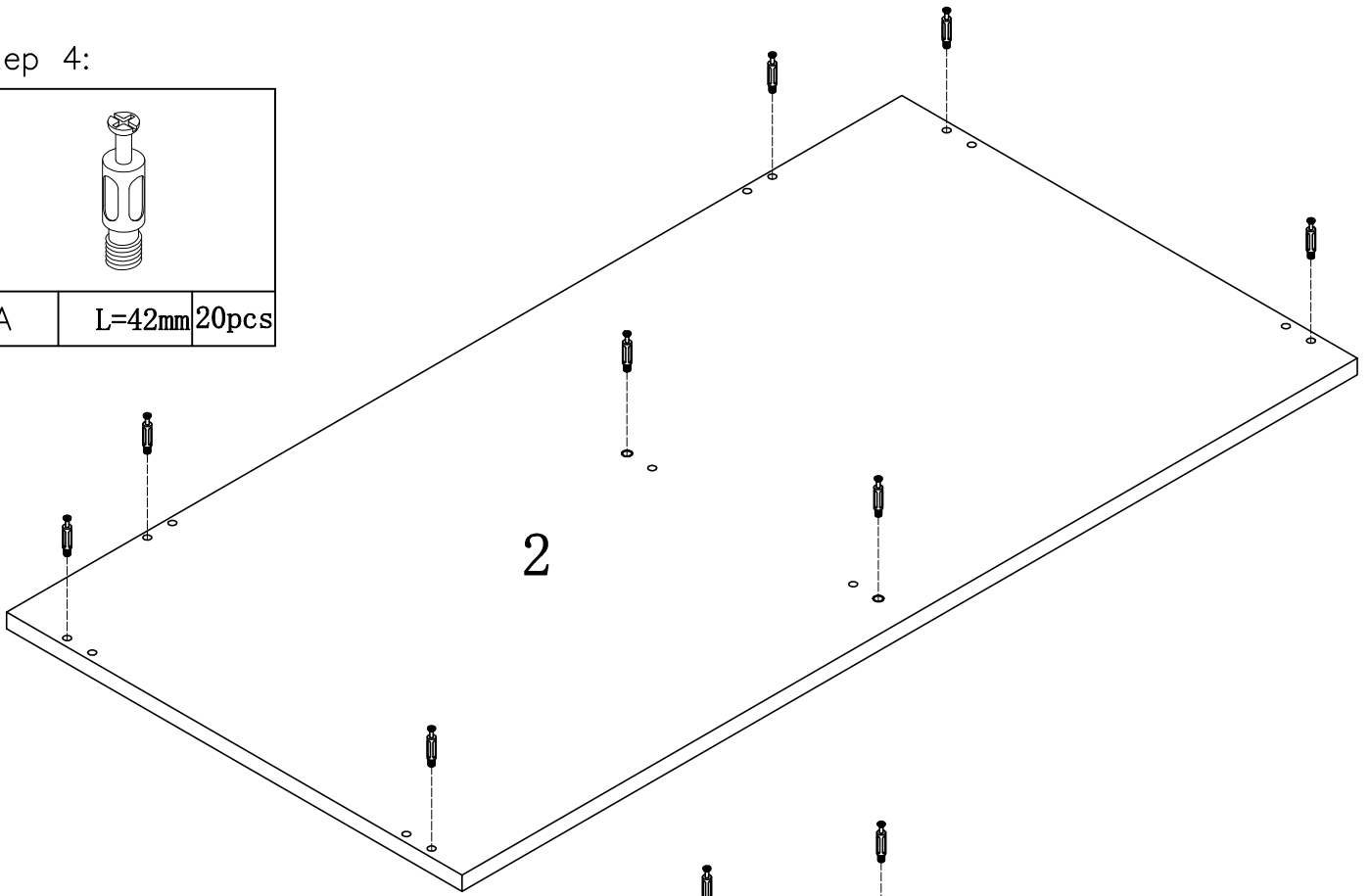
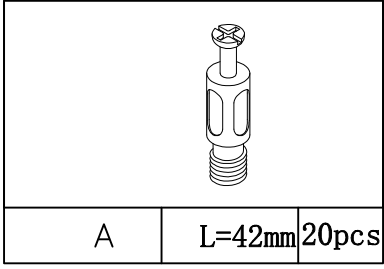


step 3:




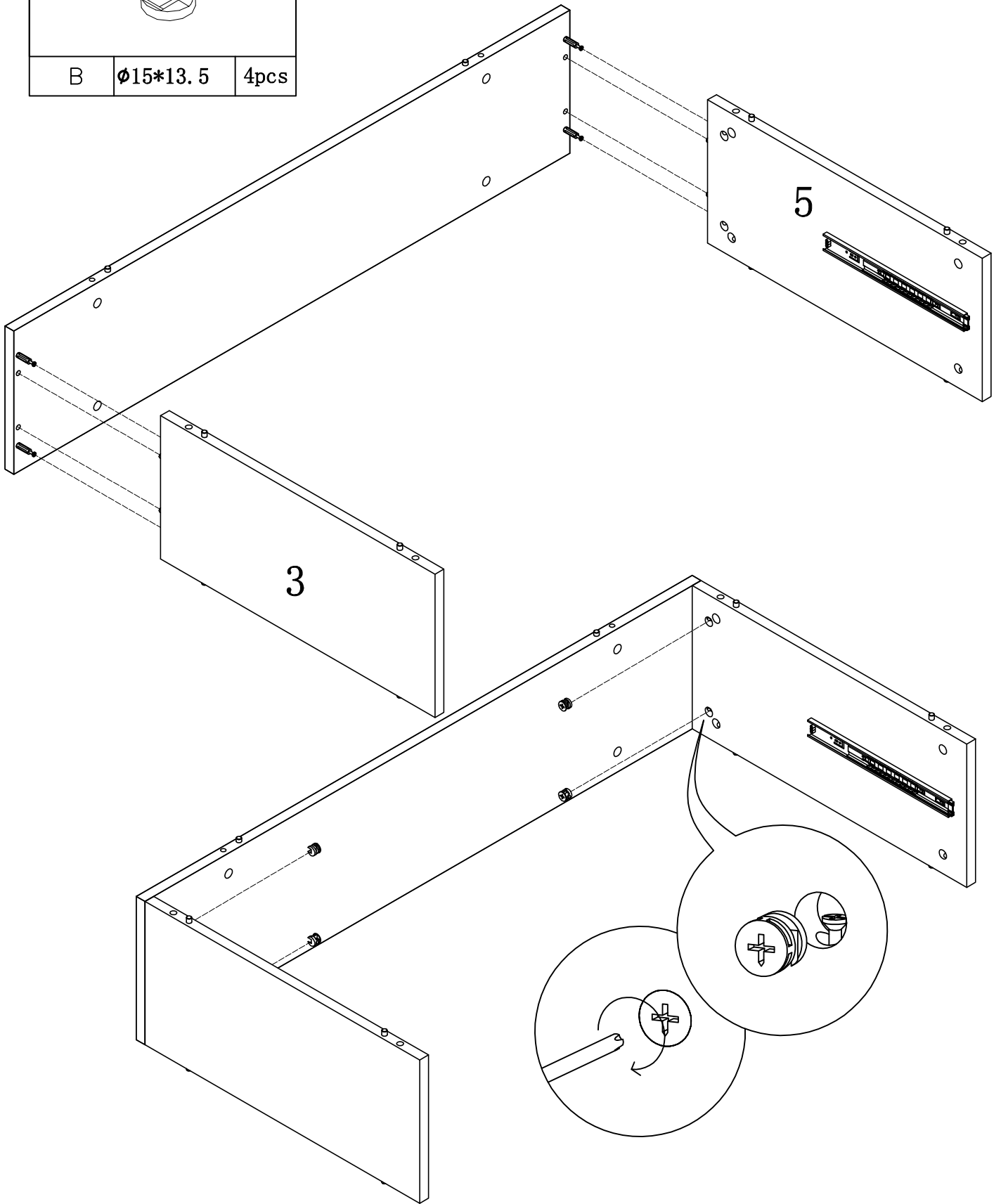


step 4:

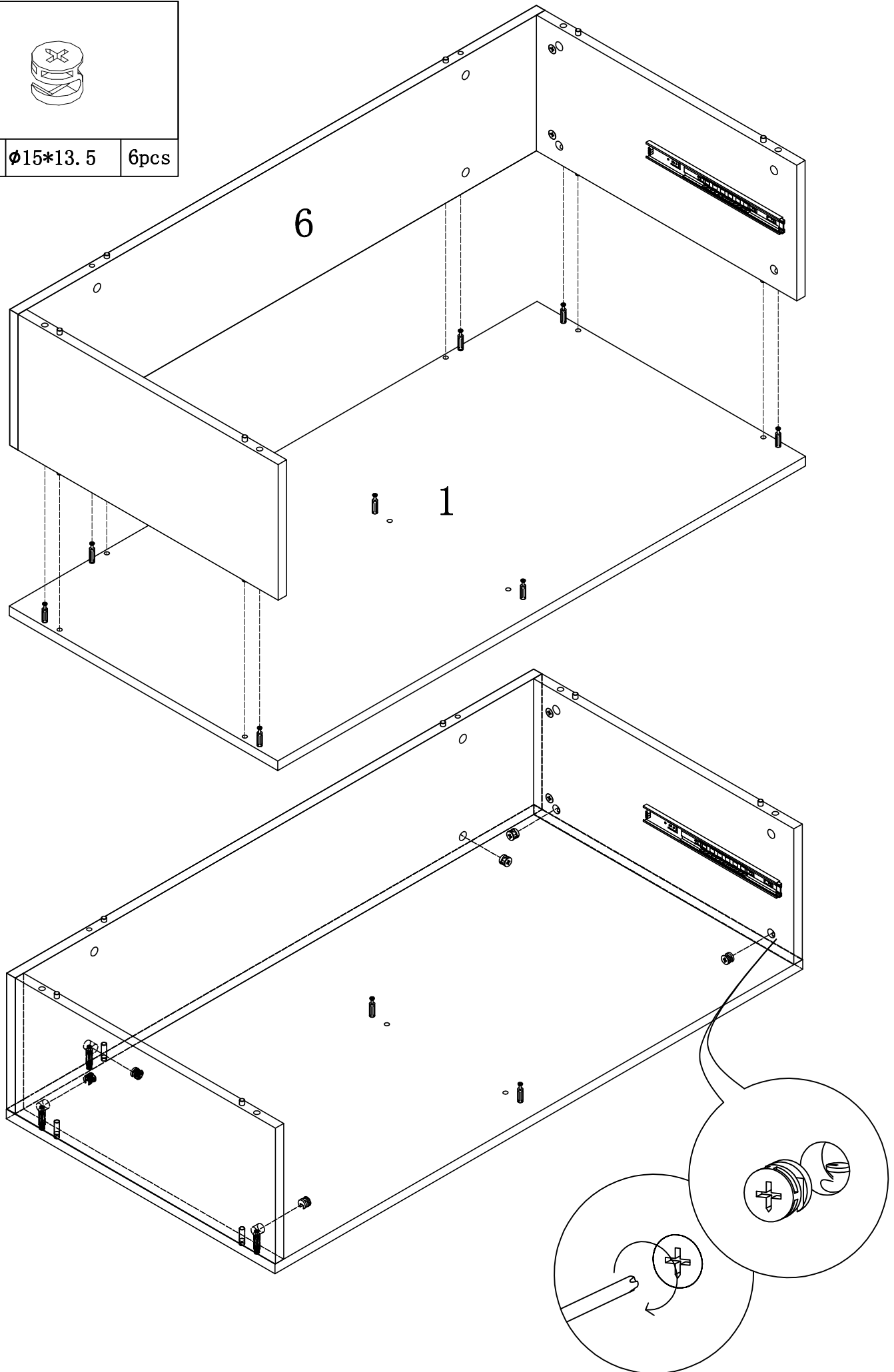
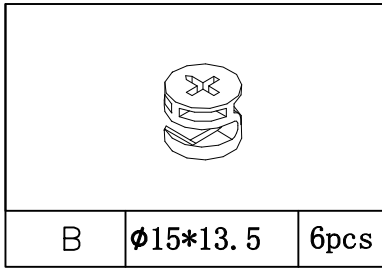


step 5:

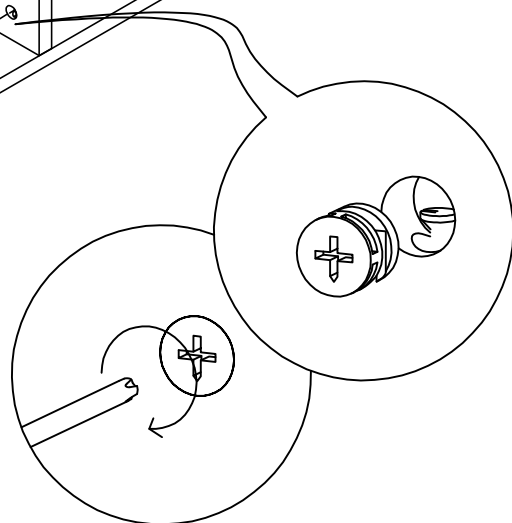
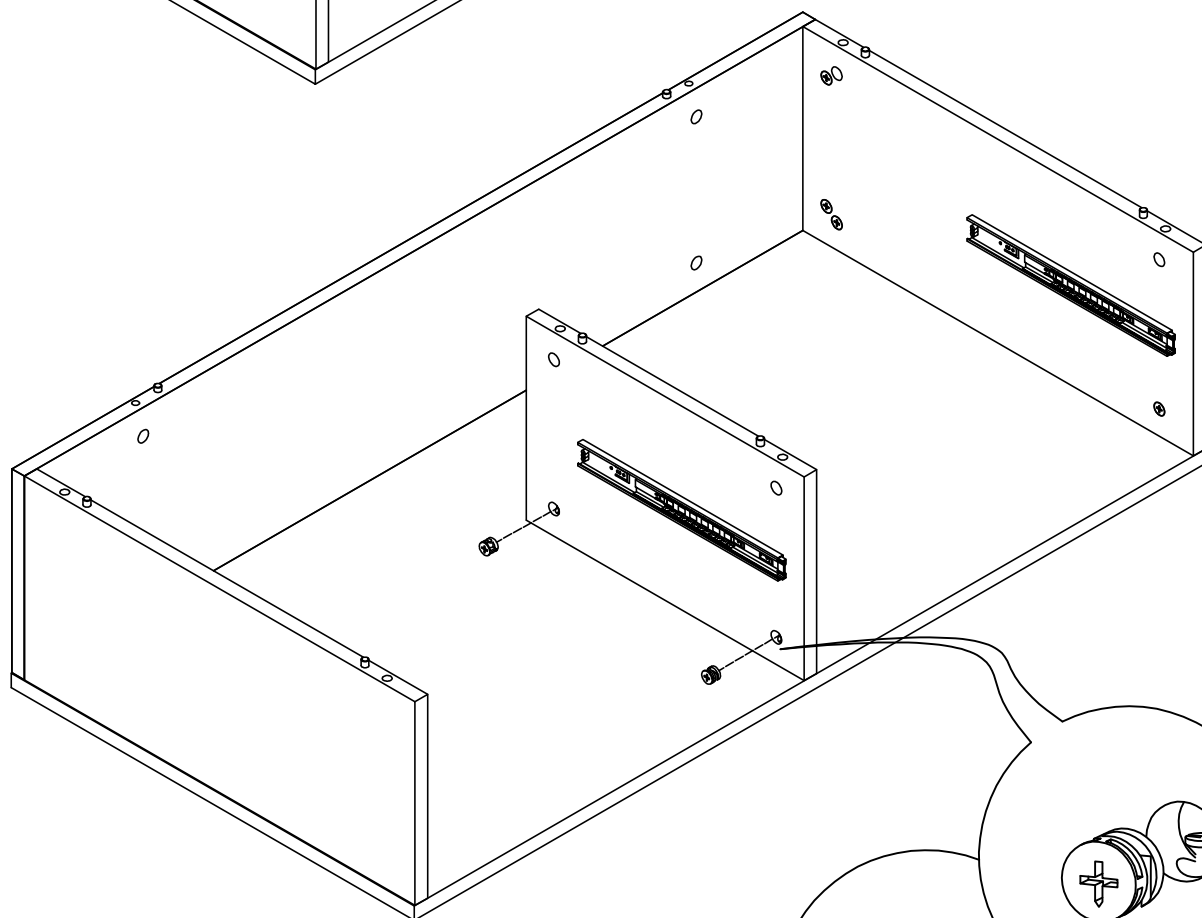
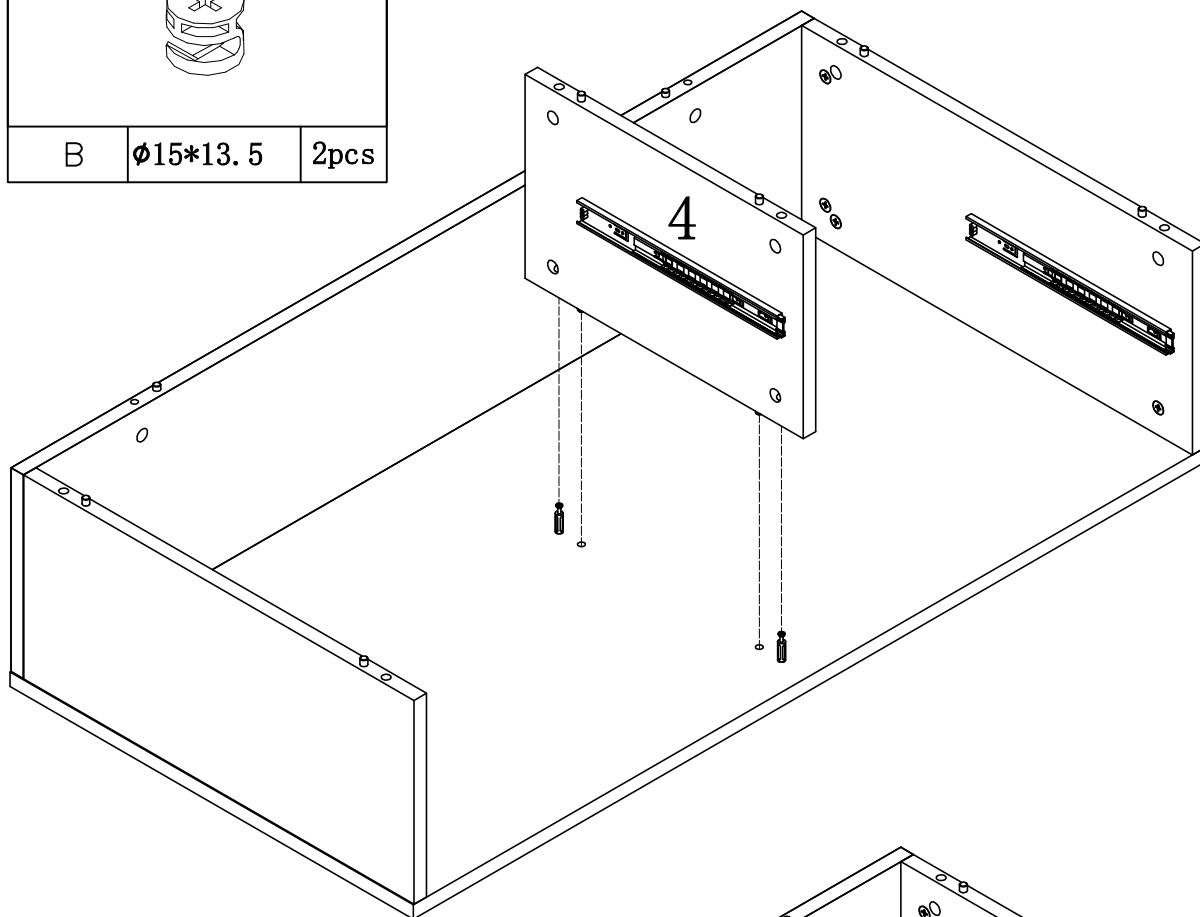
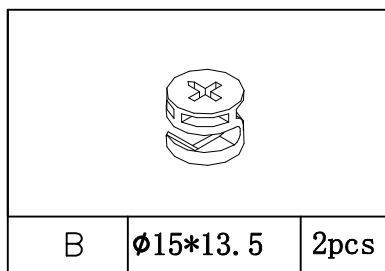
		
B	$\varnothing 15 * 13.5$	4pcs



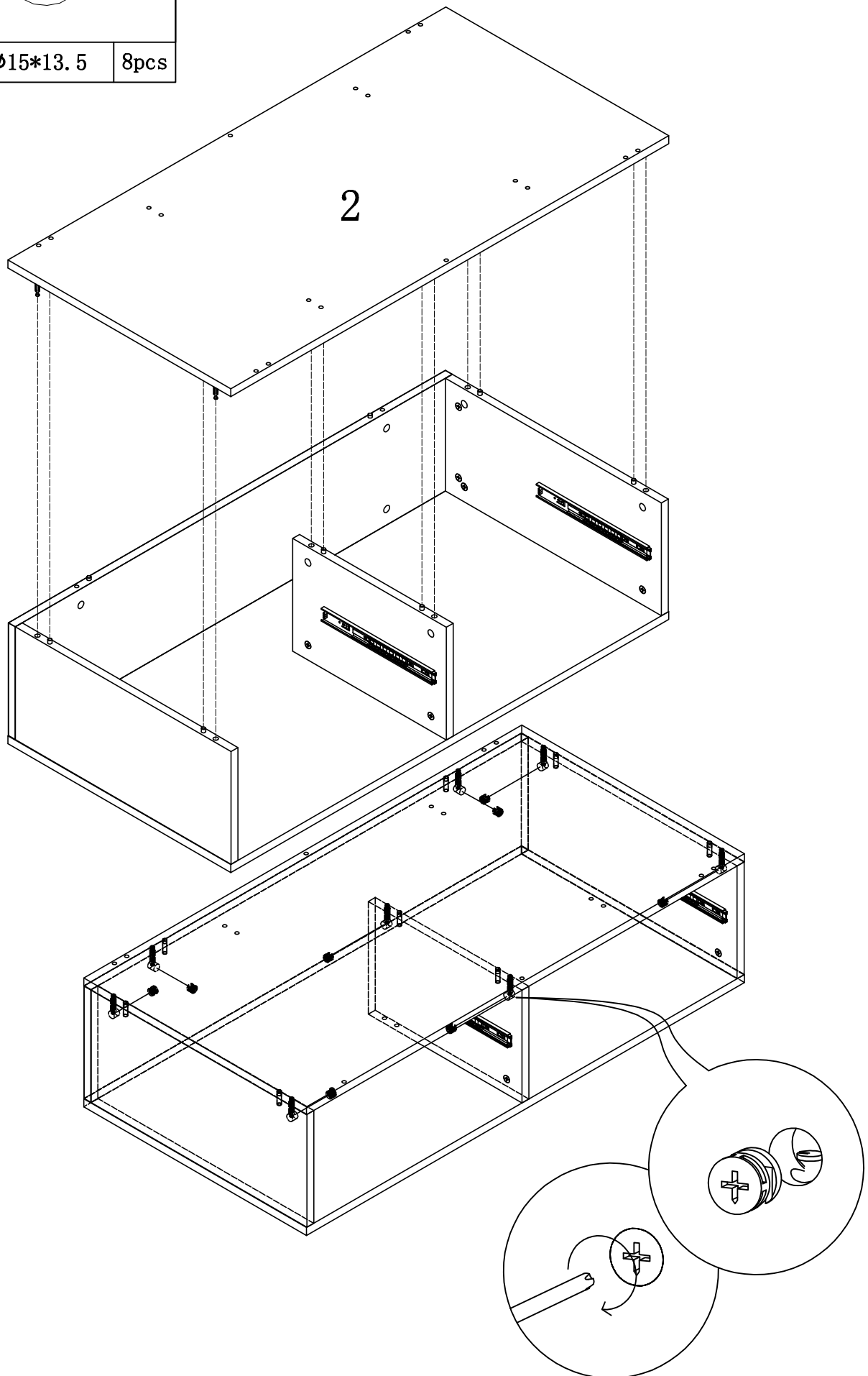
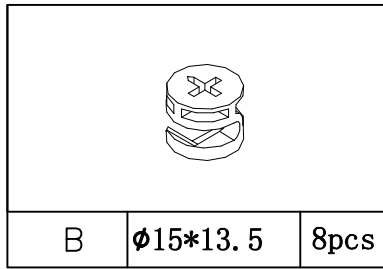
step 6:



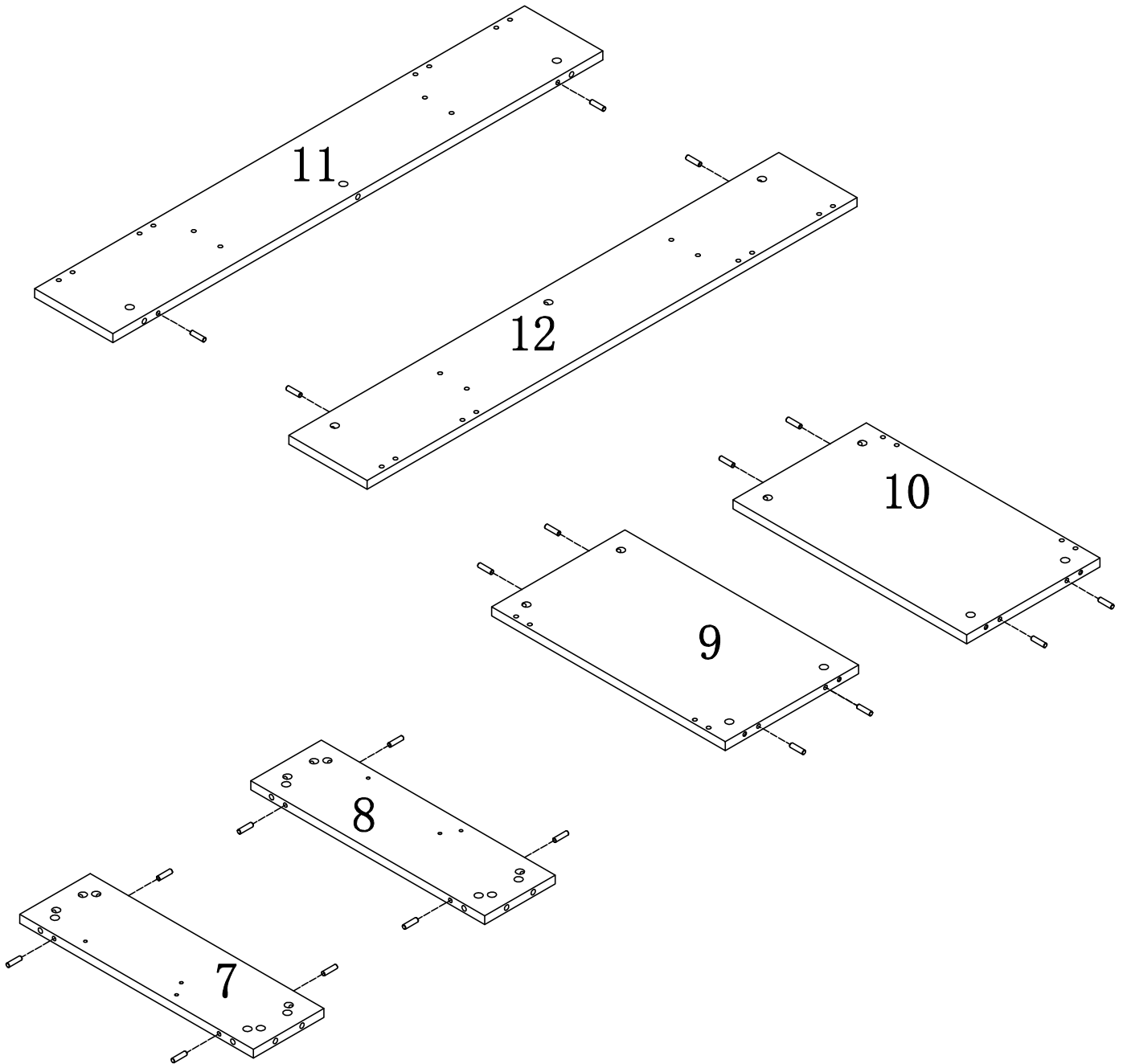
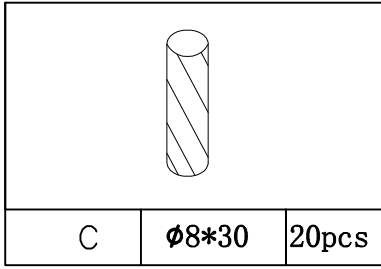
step 7:



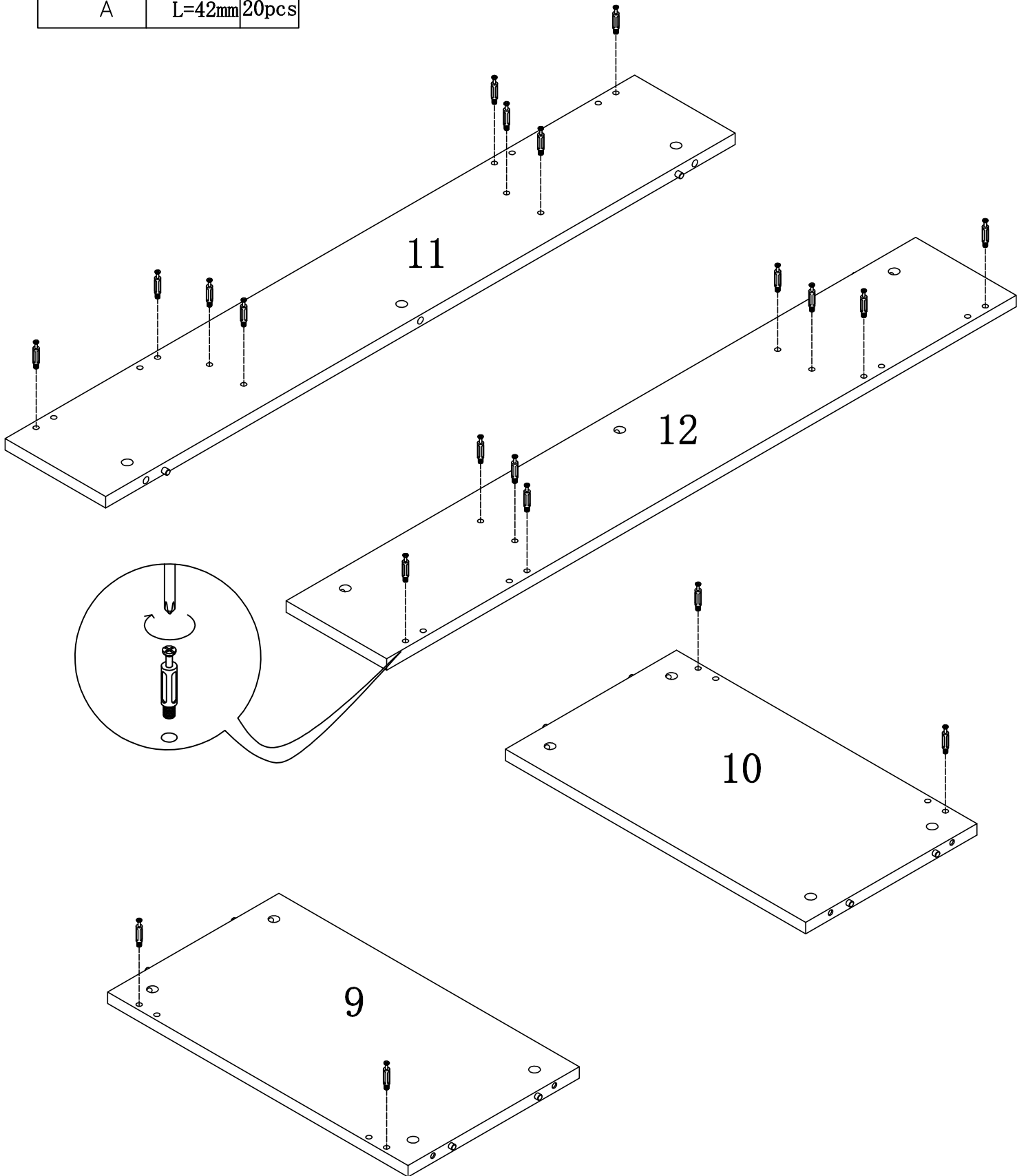
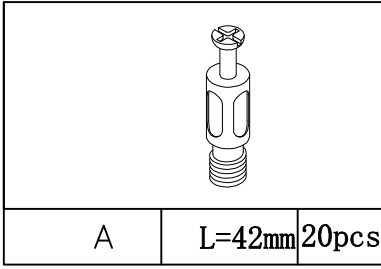
step 8:




step 9:

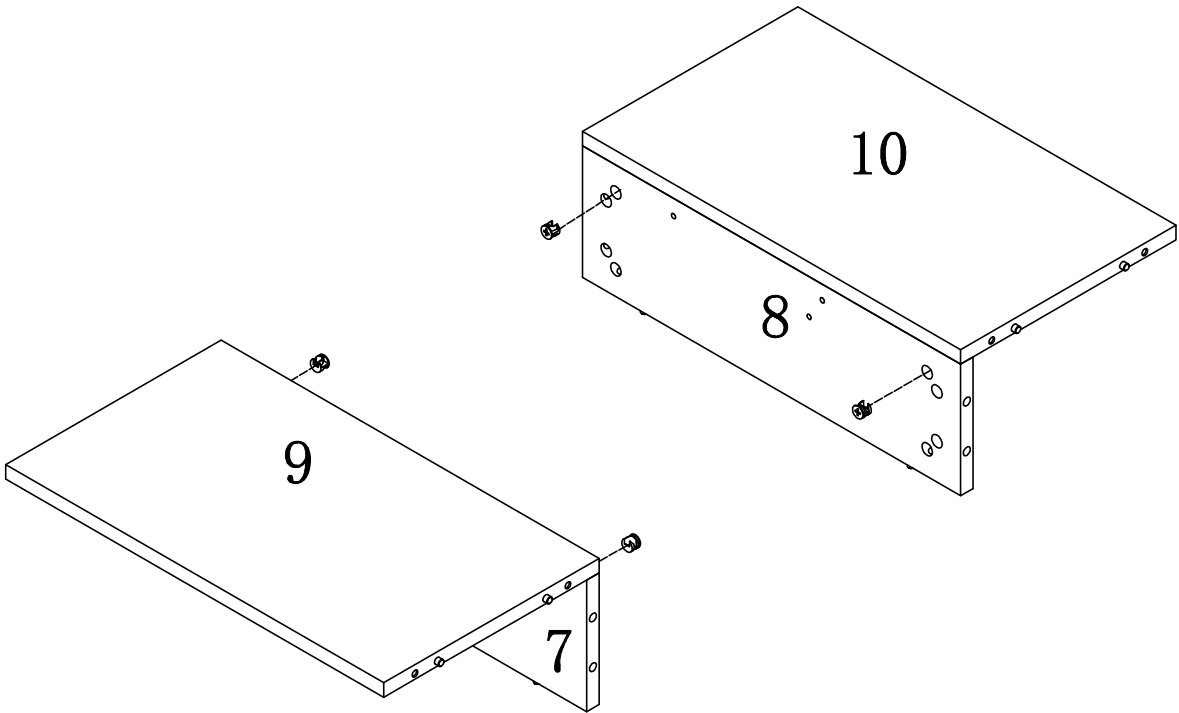
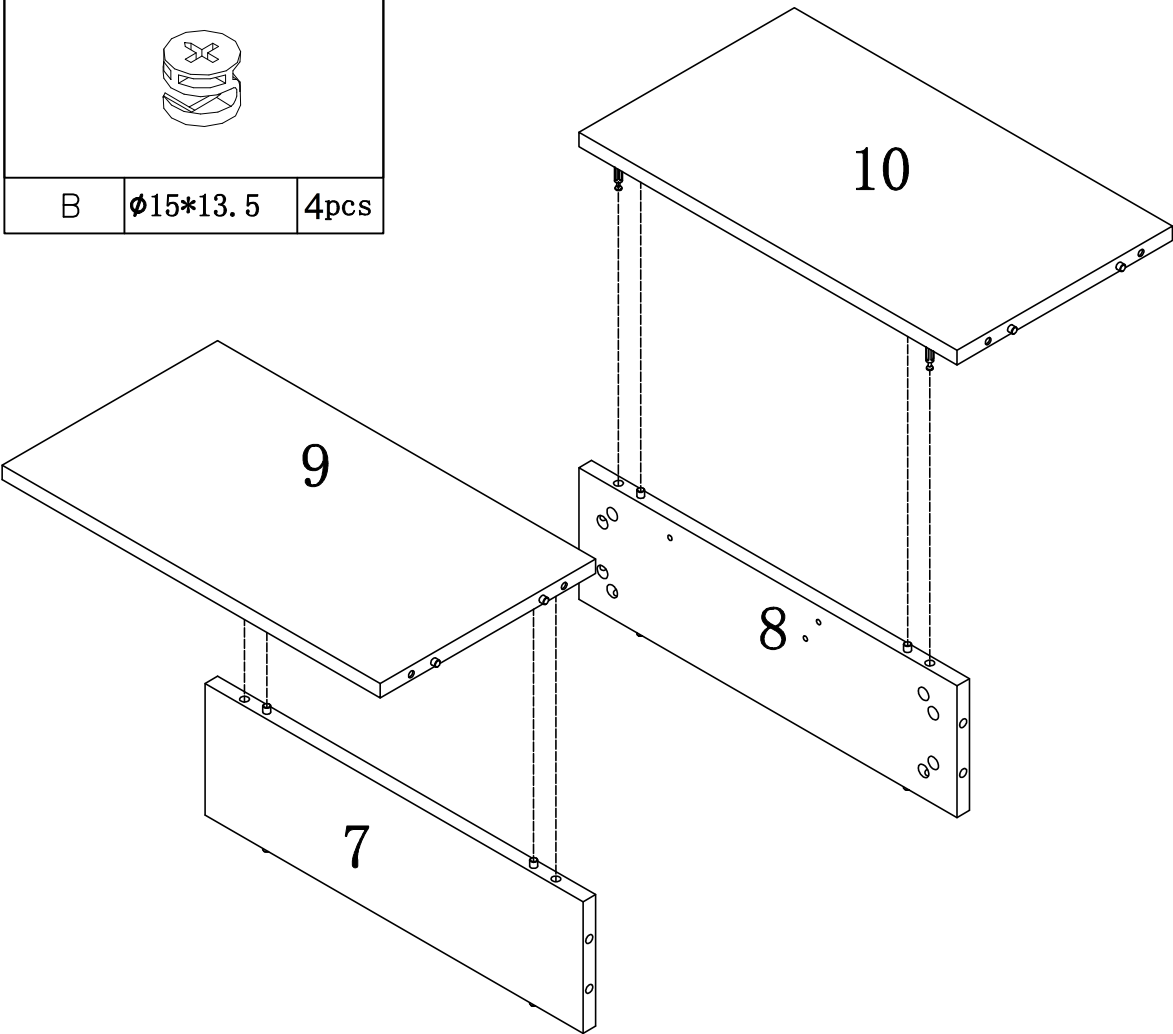


step 10:



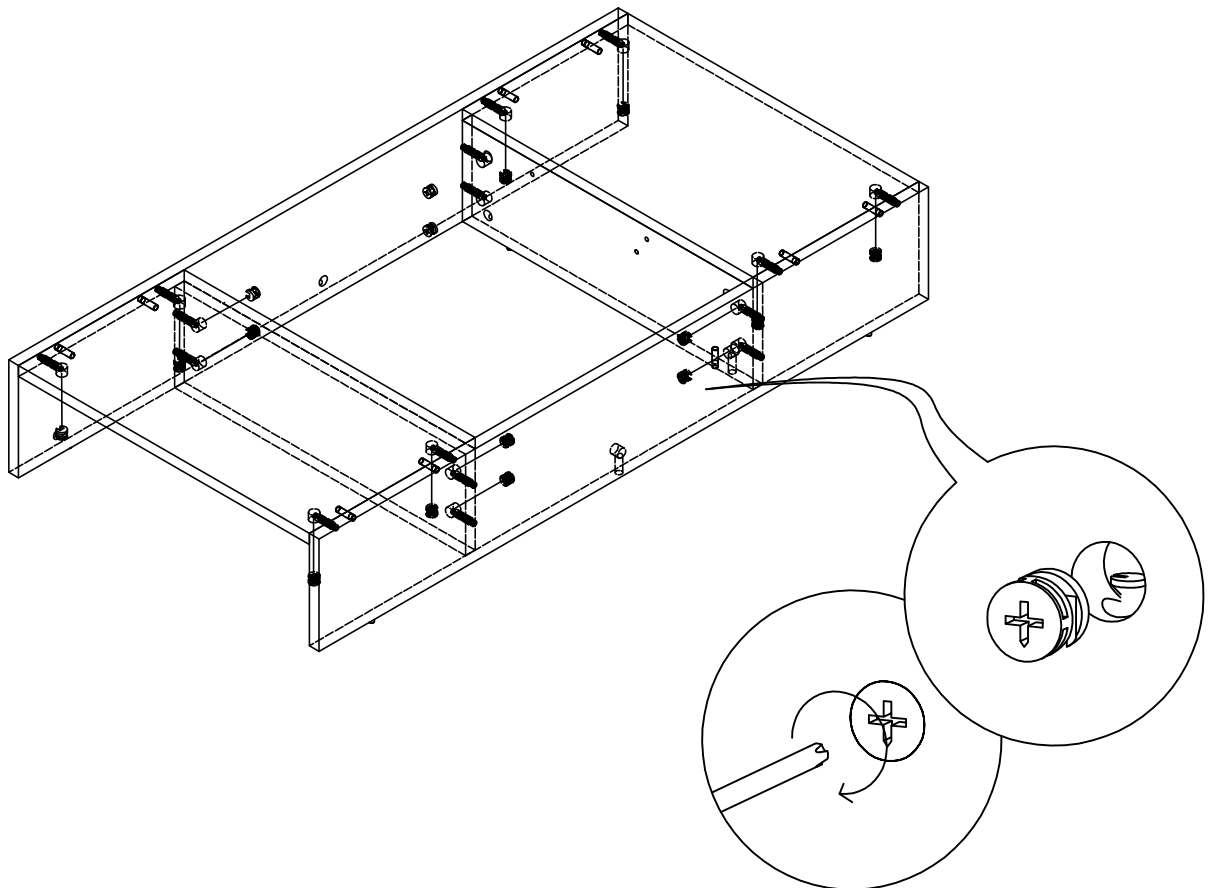
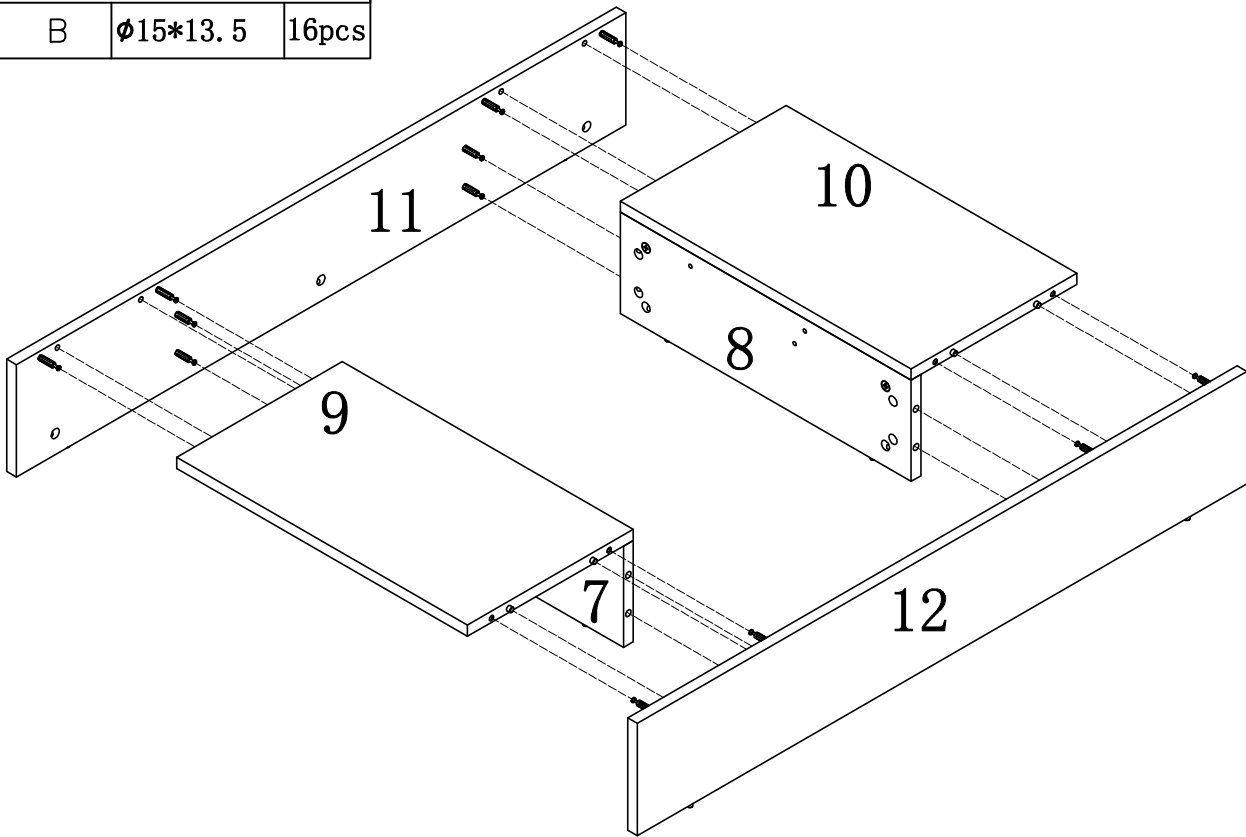
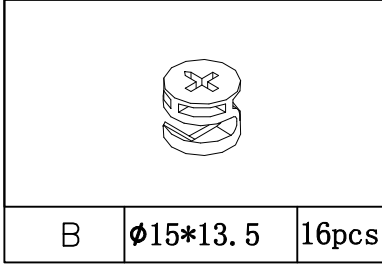
step 11:

		
B	φ15*13.5	4pcs

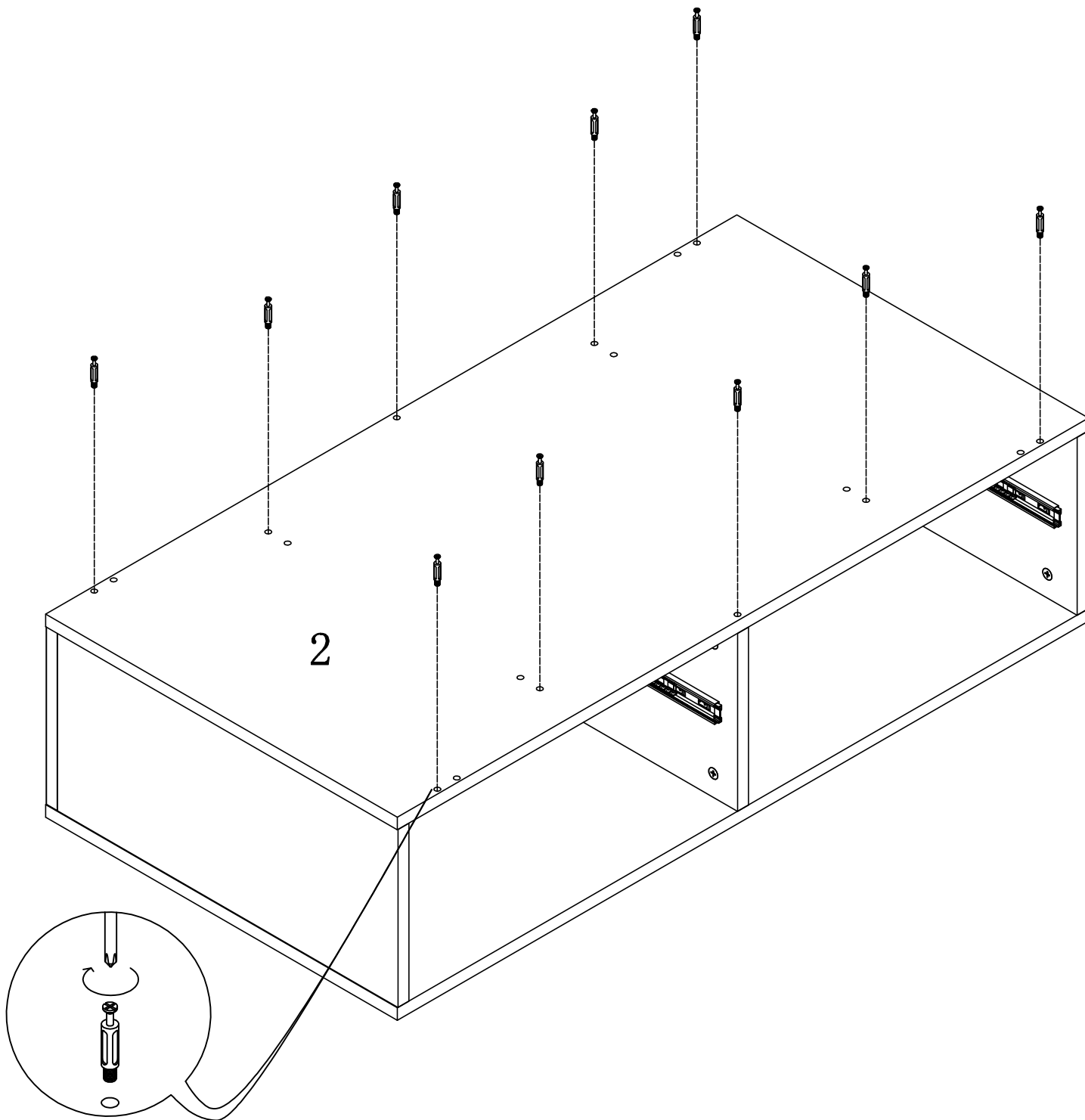
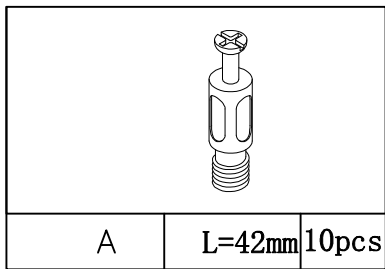




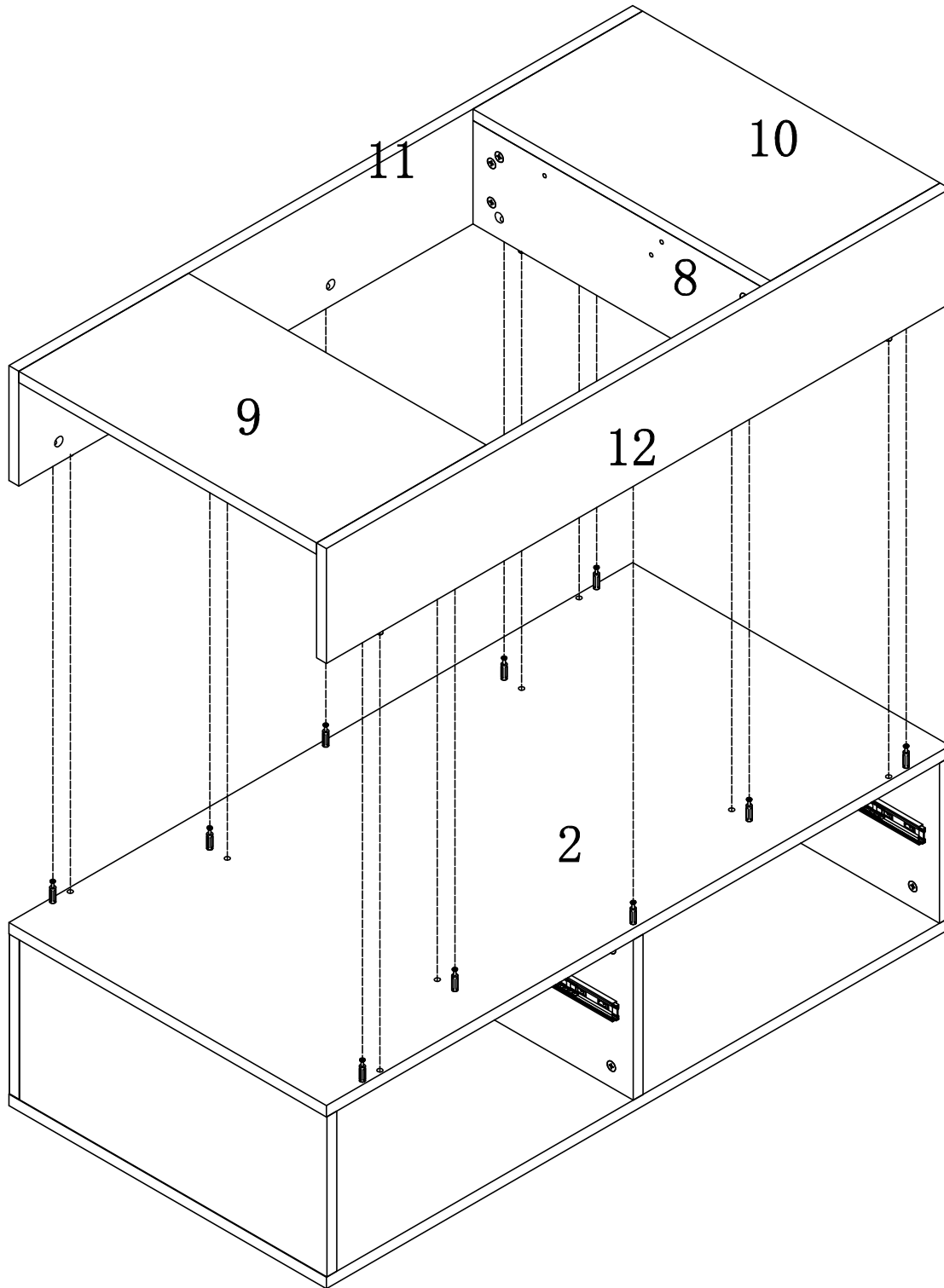
step 12:



step 13:



step 14:



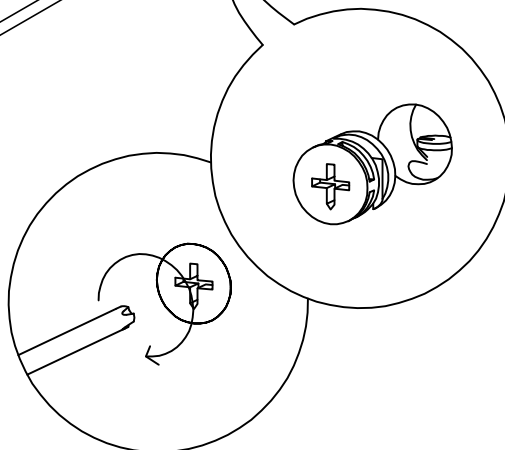
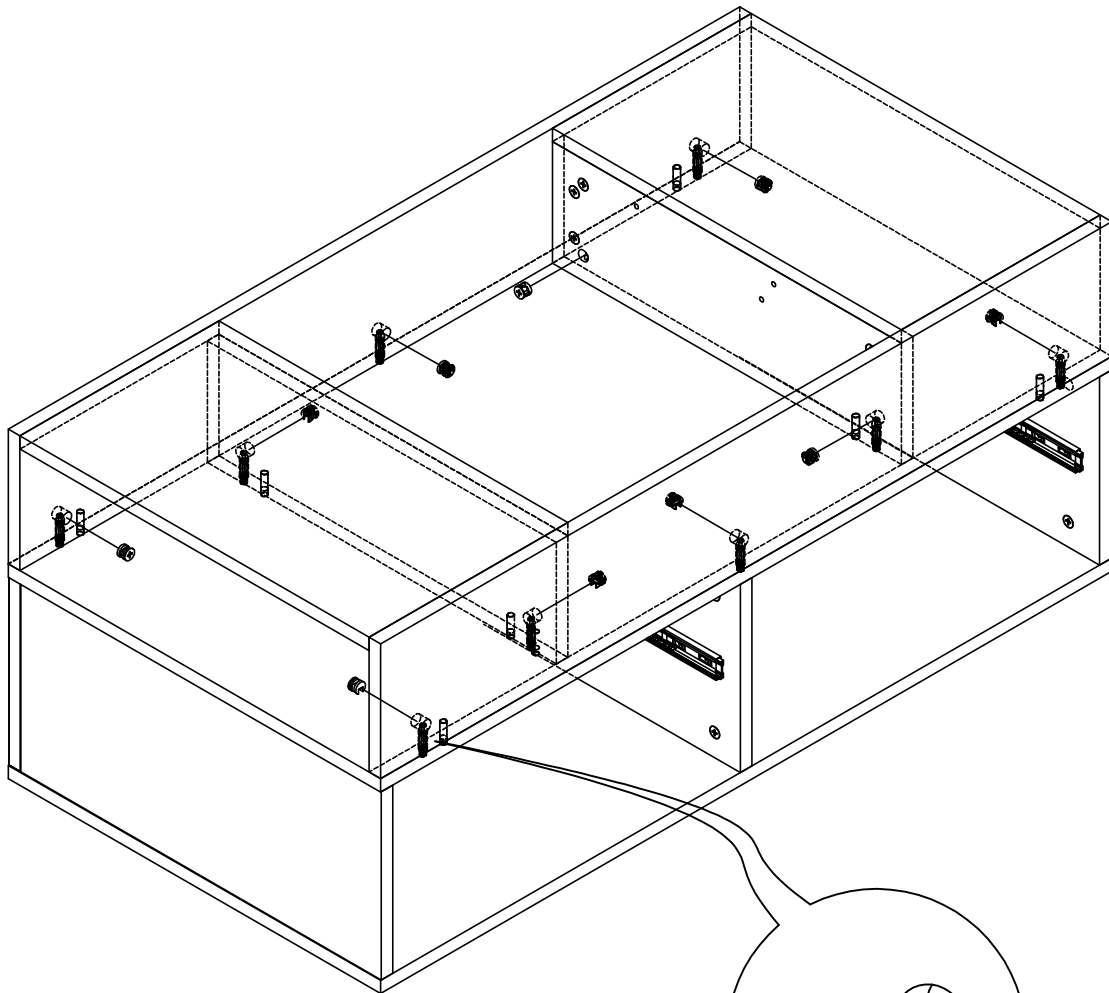
step 15:



B

$\phi 15 \times 13.5$

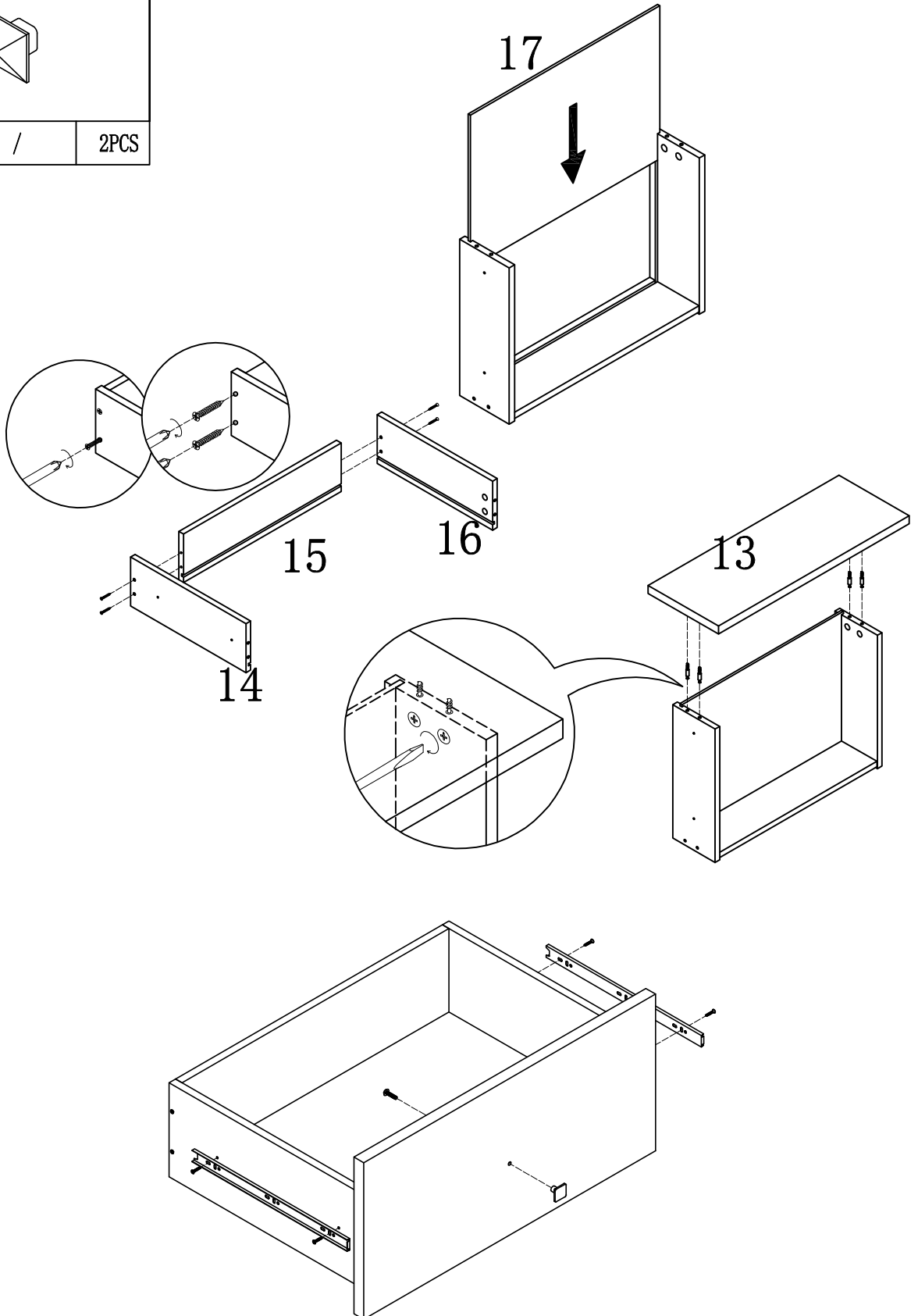
10pcs



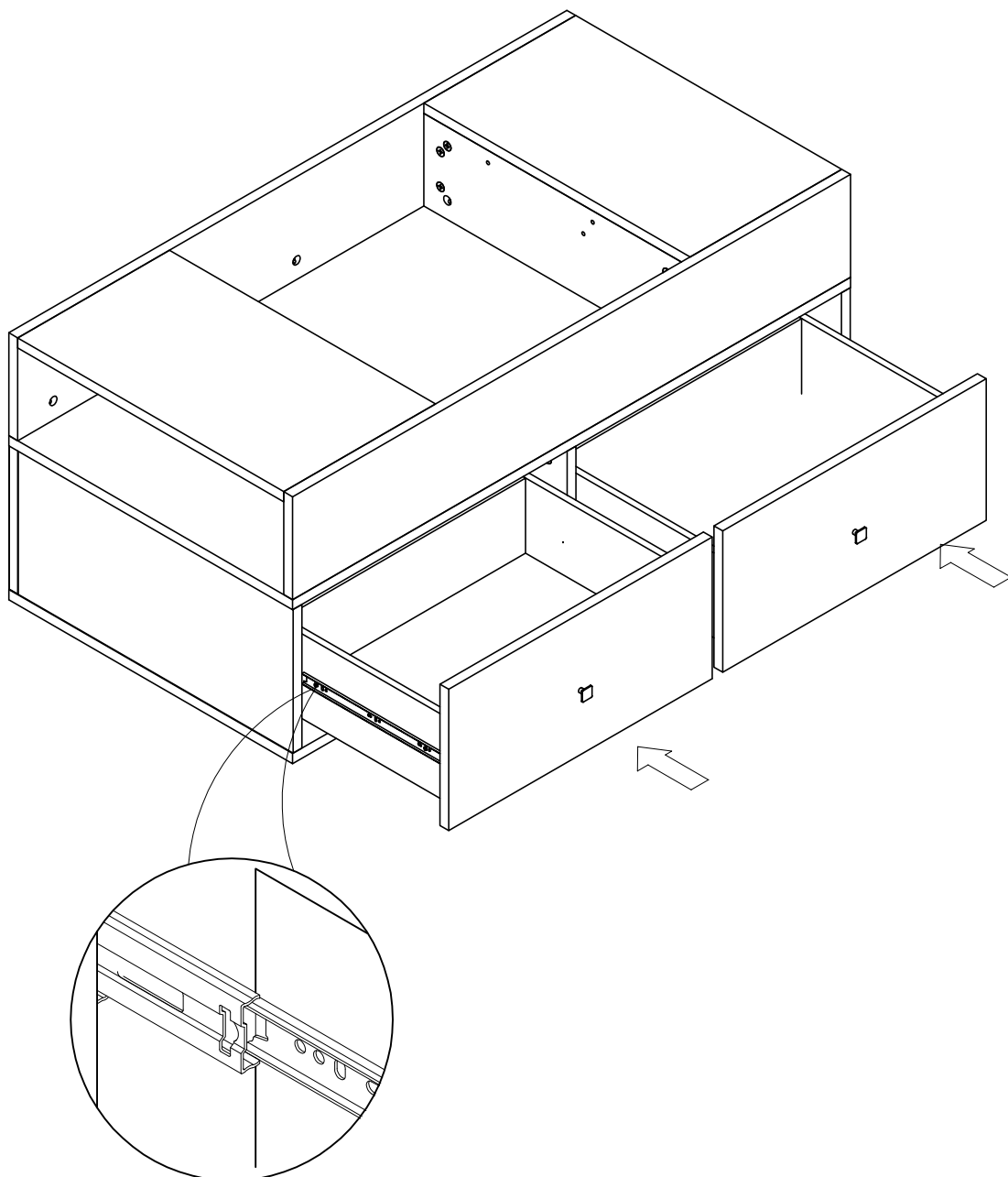
step 16:

K	300mm	2pa	F	M3*12	8PCS	E	M4*30	8PCS	D	L=20mm	8sets

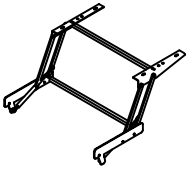
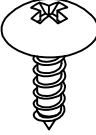

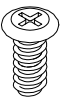
J	/	2PCS



step 17:



step 18:

											
N	/	1PCS	M	M4*16	4PCS	O	M4*16	10PCS	P	M6*16	2pcs

