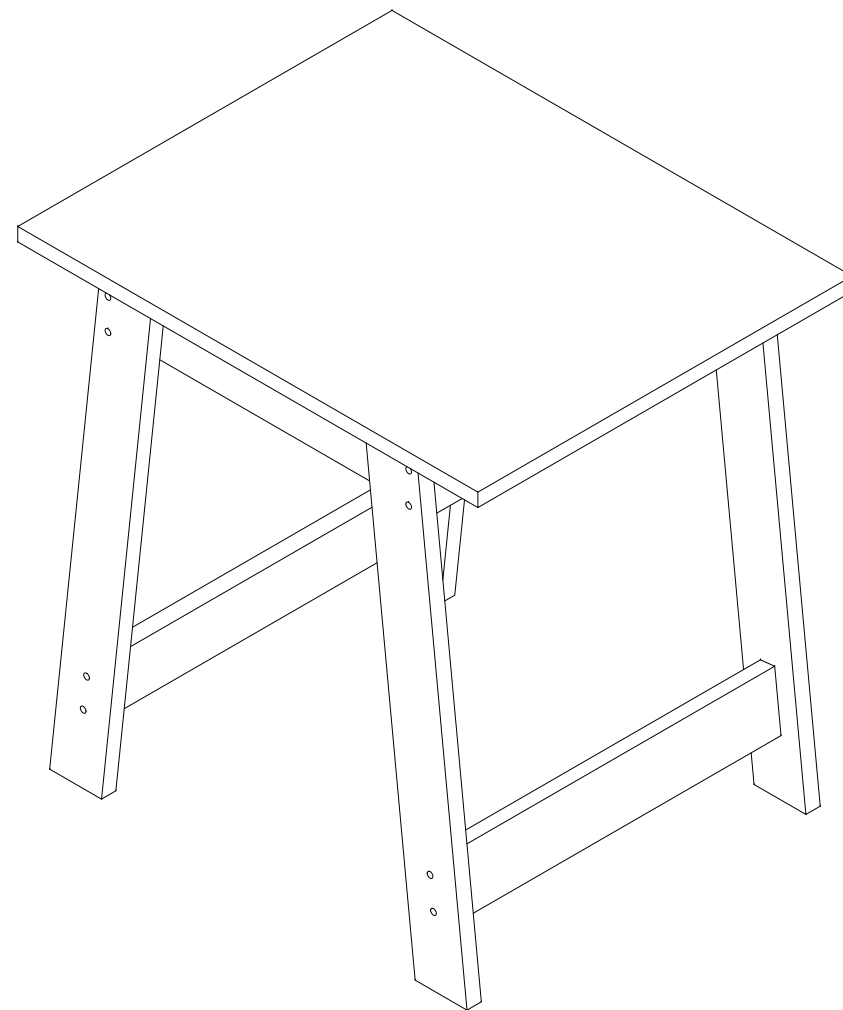
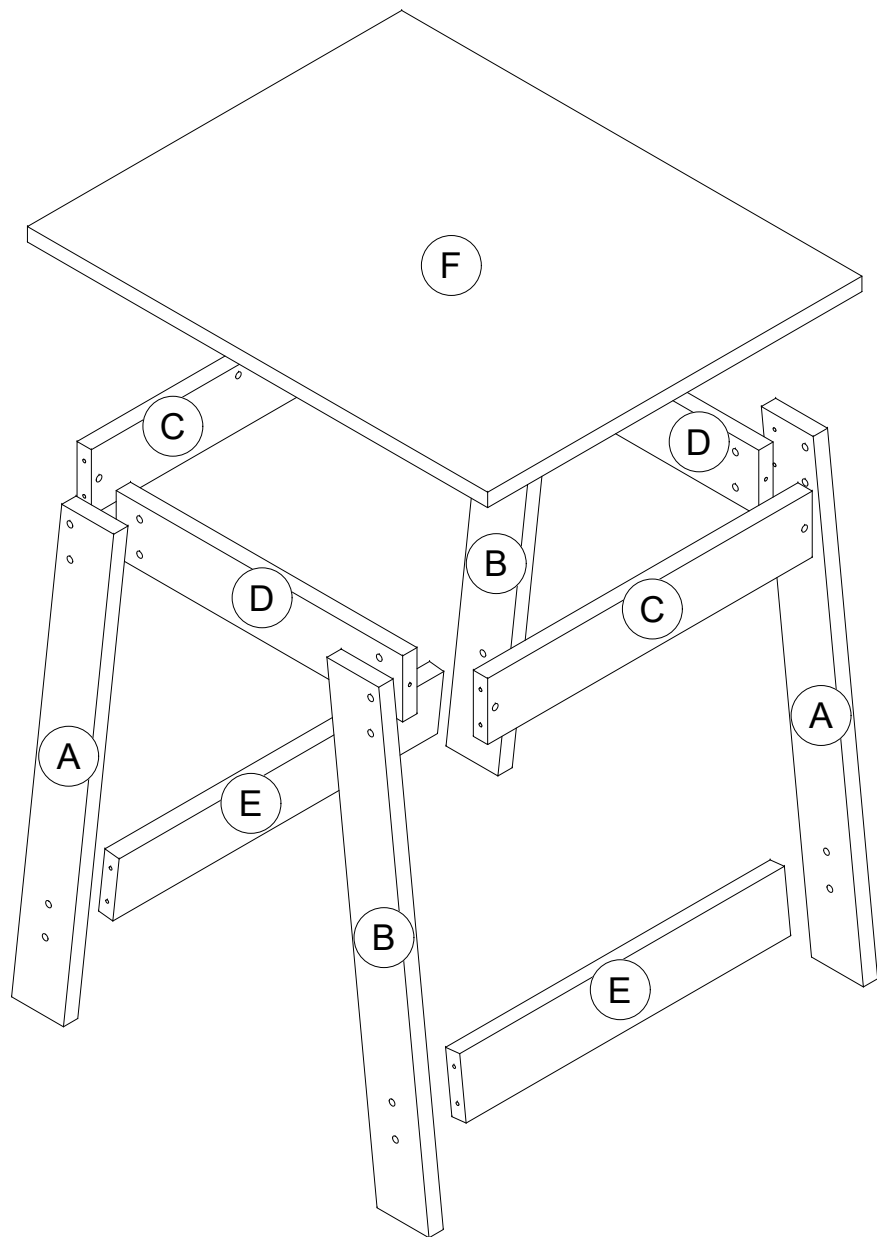


## PART LIST

CODE	QTY
A	2
B	2
C	2
D	2
E	2
F	1





## ASSEMBLY INSTRUCTIONS

DO NOT FULLY TIGHTEN ANY BOLTS BEFORE ALL PARTS ARE LOOSELY ASSEMBLED. THE PRODUCT/FITTINGS MAY BE DAMAGED IF OVERTIGHTENED. BEWARE OF CROSS THREADING SCREWS AND BOLTS DURINGS ASSEMBLY. SMALL COMPONENT PARTS COULD CHOKE A CHILD IF SWALLOWED. WE STRONGLY RECOMMEND THAT YOU KEEP CHILDREN AWAY FROM THE WORK AREA.

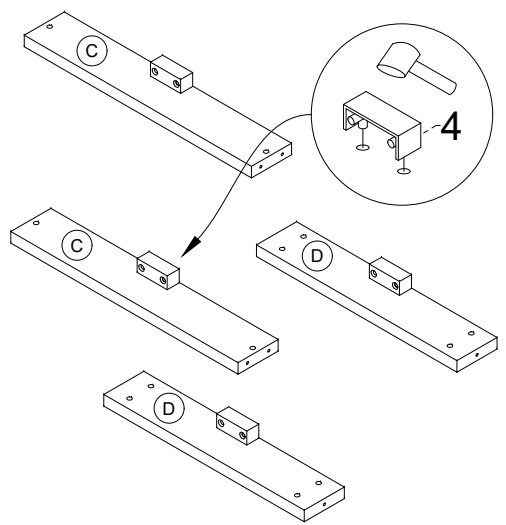
# 98500

# HARDWARE LIST

1		Screw $\phi 4 \times 45 \text{mm}$	20 pcs
2		Screw $\phi 4 \times 28 \text{mm}$	8 pcs
3		PVC Nail With Pin	4 pcs
4		PVC Bracket	4 pcs
5		Tapping Screw $\phi 8 \times 1''$	8 pcs
6		Seal Sticker - 15mm	20 pcs

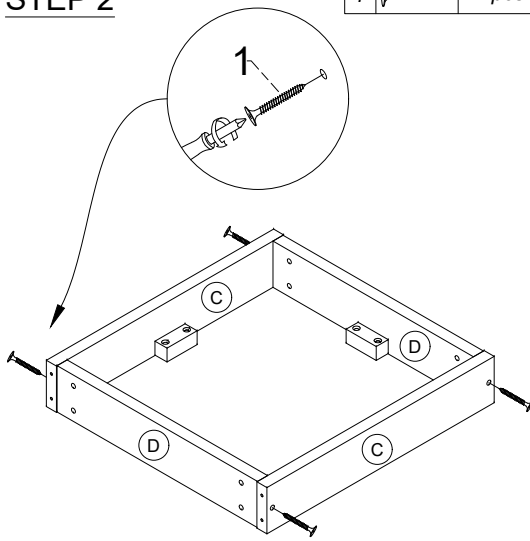
## STEP 1

4  4 pcs



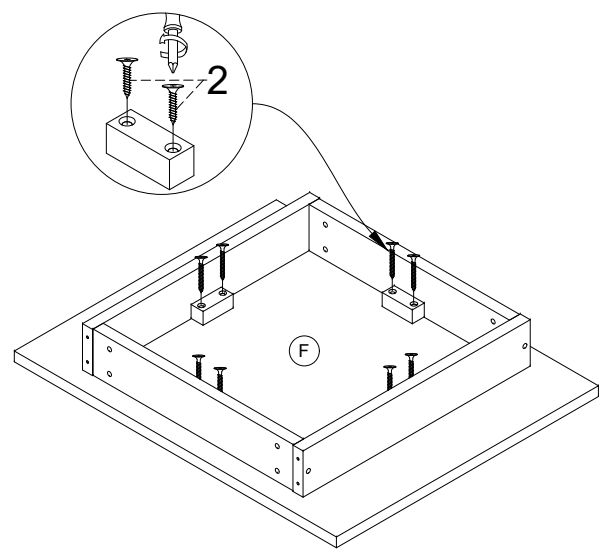
## STEP 2

1  4 pcs



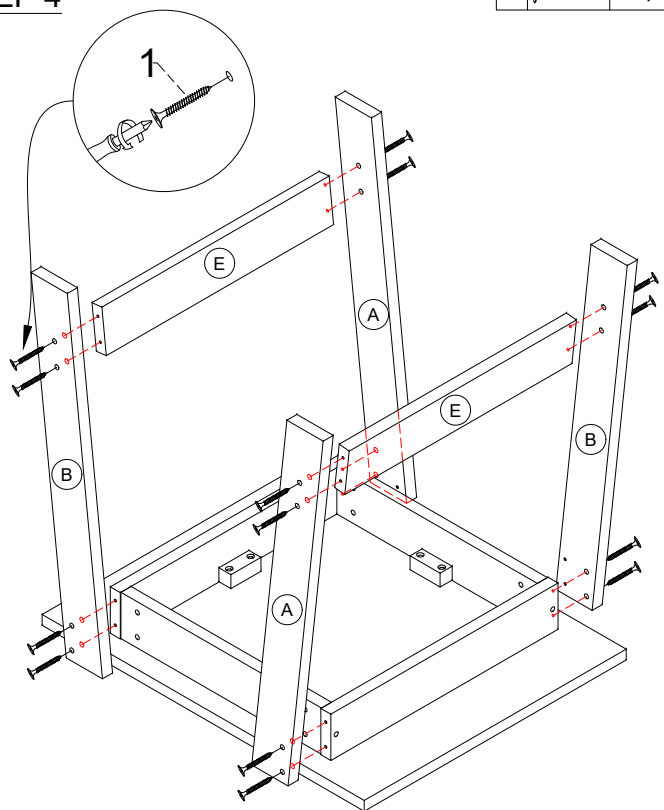
## STEP 3

2  8 pcs

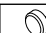



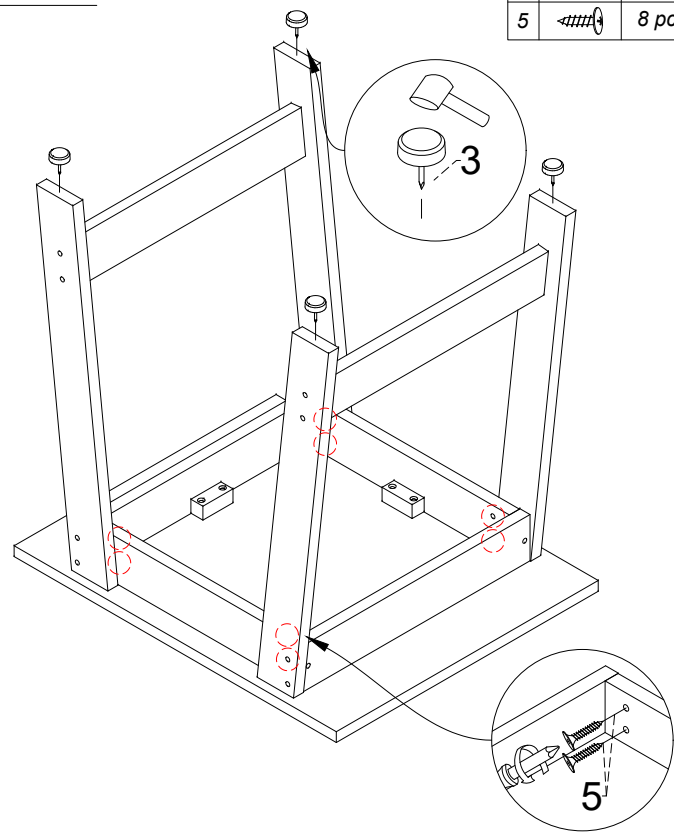
## STEP 4

1  16 pcs



## STEP 5

3  4 pcs  
5  8 pcs



## STEP 6

6  20 pcs

