

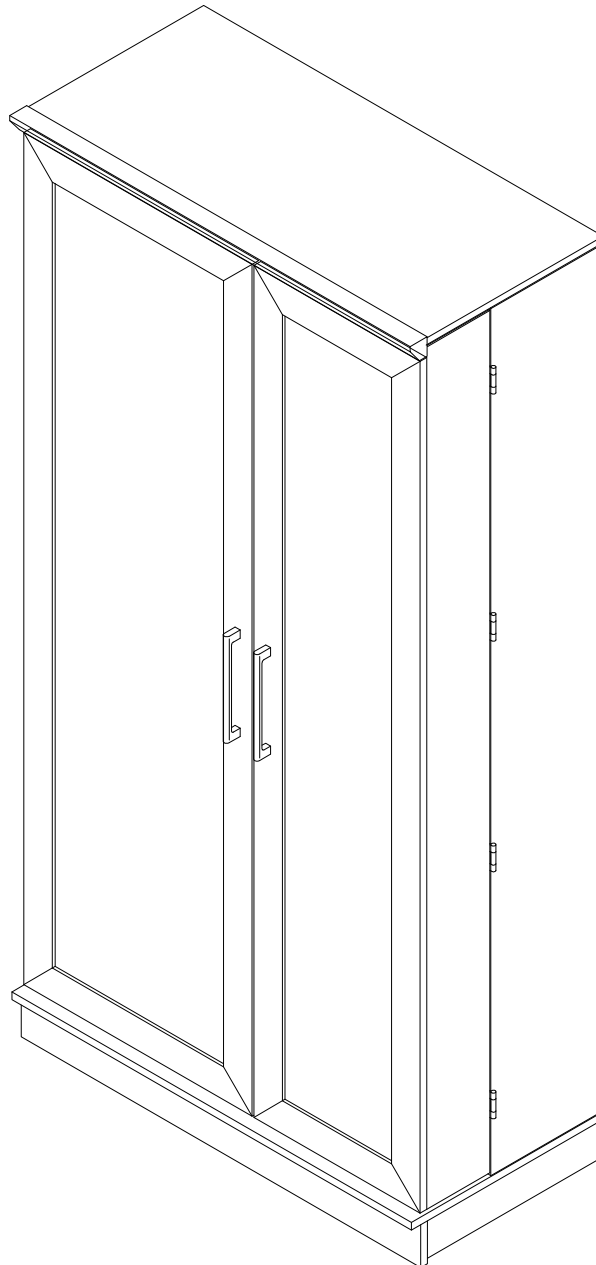
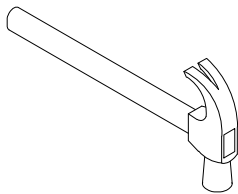
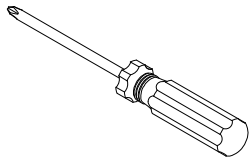
Assembly Instruction

Item No : 96003

Description: Storage Cabinet

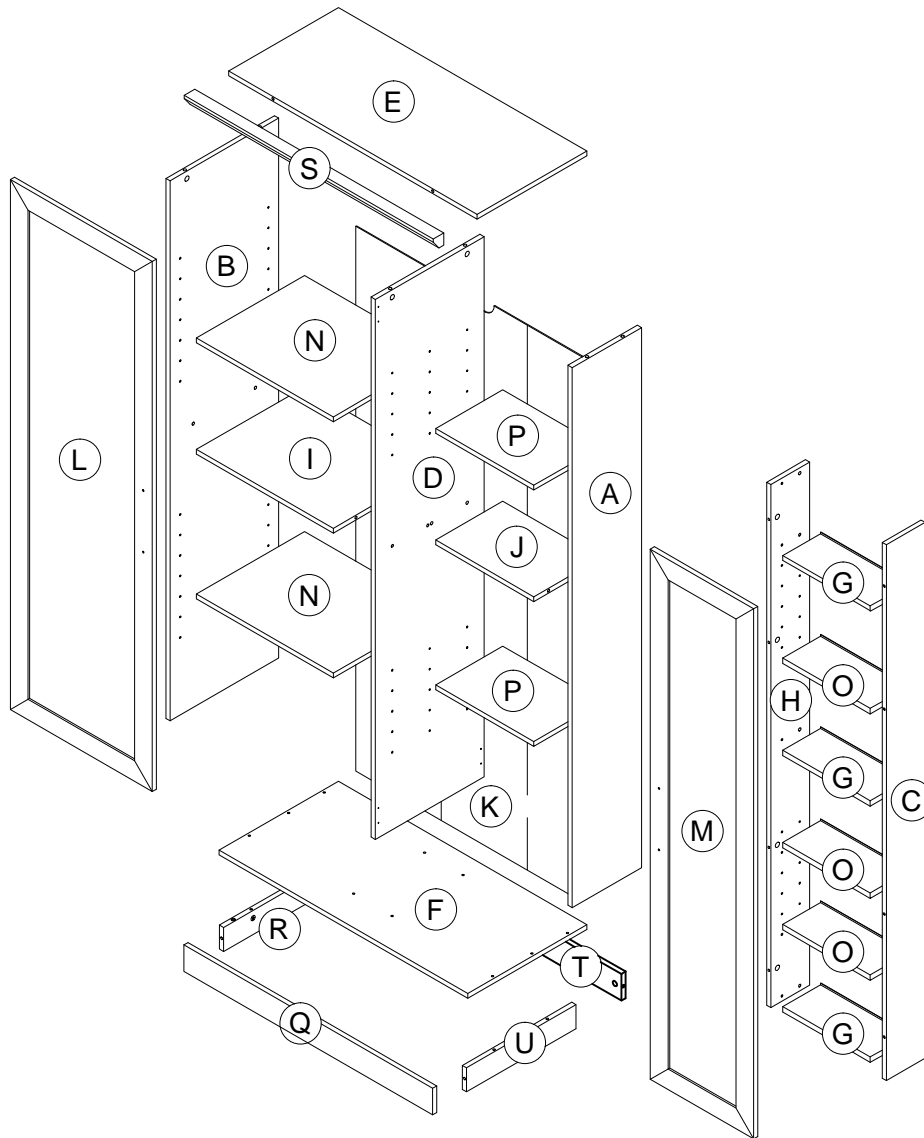


TOOL REQUIRED



PARTS LIST

A	SMALL END (1)	H	DOOR UPRIGHT (1)	O	ADJUSTABLE DOOR SHELF (3)
B	LARGE END (1)	I	LARGE SHELF (1)	P	SMALL ADJUSTABLE SHELF (1)
C	DOOR END (1)	J	SMALL SHELF (1)	Q	FRONT SKIRT (1)
D	UPRIGHT (1)	K	BACK (1)	R	LEFT SIDE SKIRT (1)
E	TOP (1)	L	LARGE DOOR (1)	S	TOP MOULDING (1)
F	BOTTOM (1)	M	SMALL DOOR (1)	T	BACK LEG (1)
G	DOOR SHELF (3)	N	LARGE ADJUSTABLE SHELF (2)	U	RIGHT SIDE SKIRT (1)

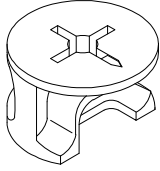


USEFUL HINTS BEFORE YOU START:

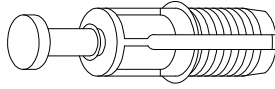
1. Read each step carefully before starting.
2. It is important that each step is performed in correct order to avoid difficulties.
3. Identify, soft and count the parts before assembly.
4. Assemble your furniture on packaging cardboard to prevent scratch or damage.
5. Clean the product with mild cleanser using soft damped cloth. Do not use harsh or abrasive cleanser.
6. Using incompatible hardware might cause damage to product.

HARDWARE LIST

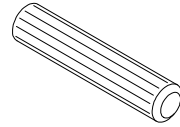
1 HIDDEN CAM - 40



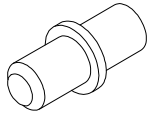
2 CAM SCREW - 40



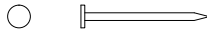
3 WOOD DOWEL - 10



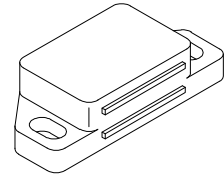
4 METAL PIN - 28



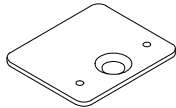
5 NAIL - 34



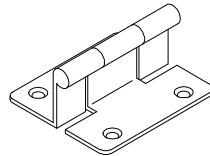
6 MAGNETIC CATCH - 2



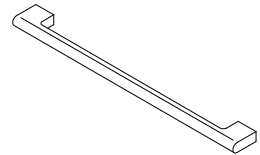
7 STRIKE PLATE - 2



8 HINGE - 4



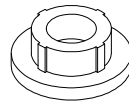
9 HANDLE - 2



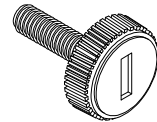
10 SMALL HOLE PLUG - 3



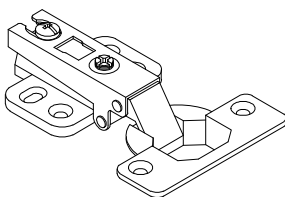
11 HOLE PLUG - 3



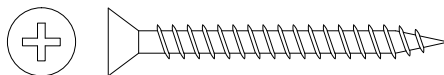
12 ADJUSTABLE LEG - 4



13 HINGES - 3



14 1-3/4" FLAT HEAD SCREW - 6

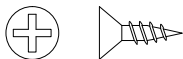


15 5/8" MACHINE SCREW - 4

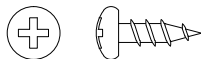


HARDWARE LIST

16 1/2" FLAT HEAD
SCREW - 28



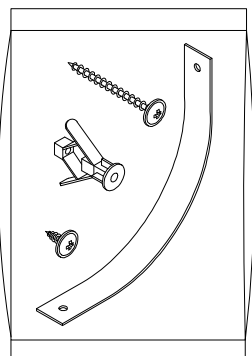
17 1/2" PAN HEAD
SCREW - 4



18 M6.3 x 10MM ZB EURO
SCREW - 6

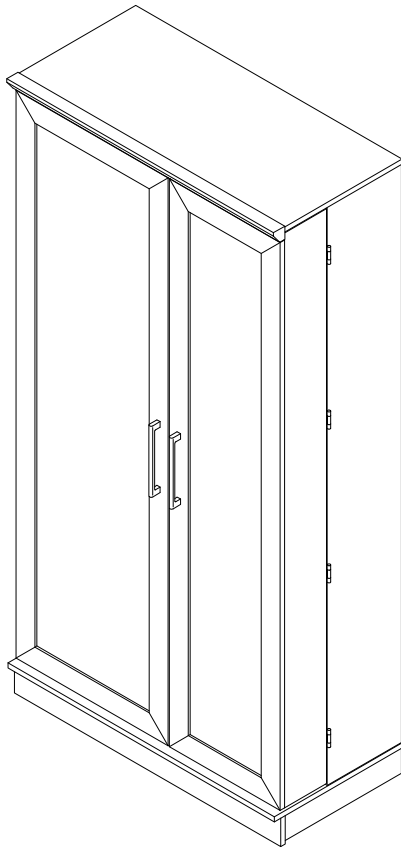


96 FURNITURE TIPPING
RESTRAINT KIT - 1



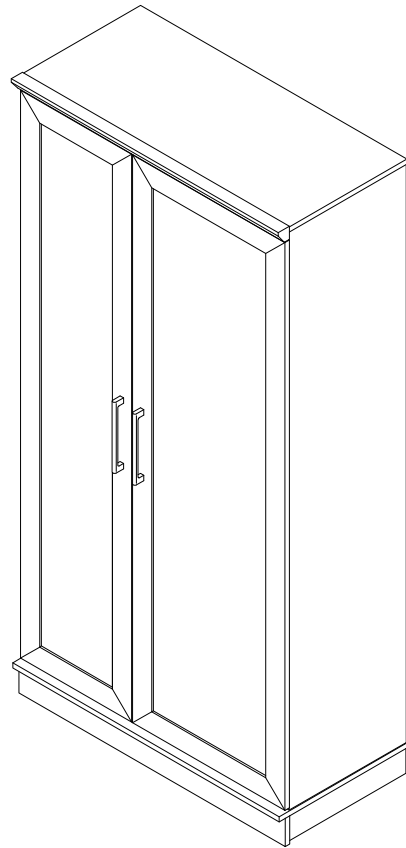
You have the option to assemble the Storage Cabinet with the LARGE DOOR on the LEFT or the LARGE DOOR on the RIGHT.

LARGE DOOR OF LEFT



STEP 1 - 25

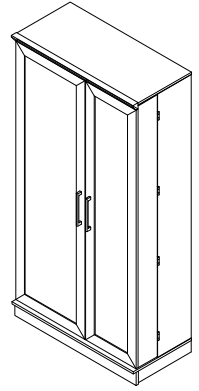
LARGE DOOR OF RIGHT



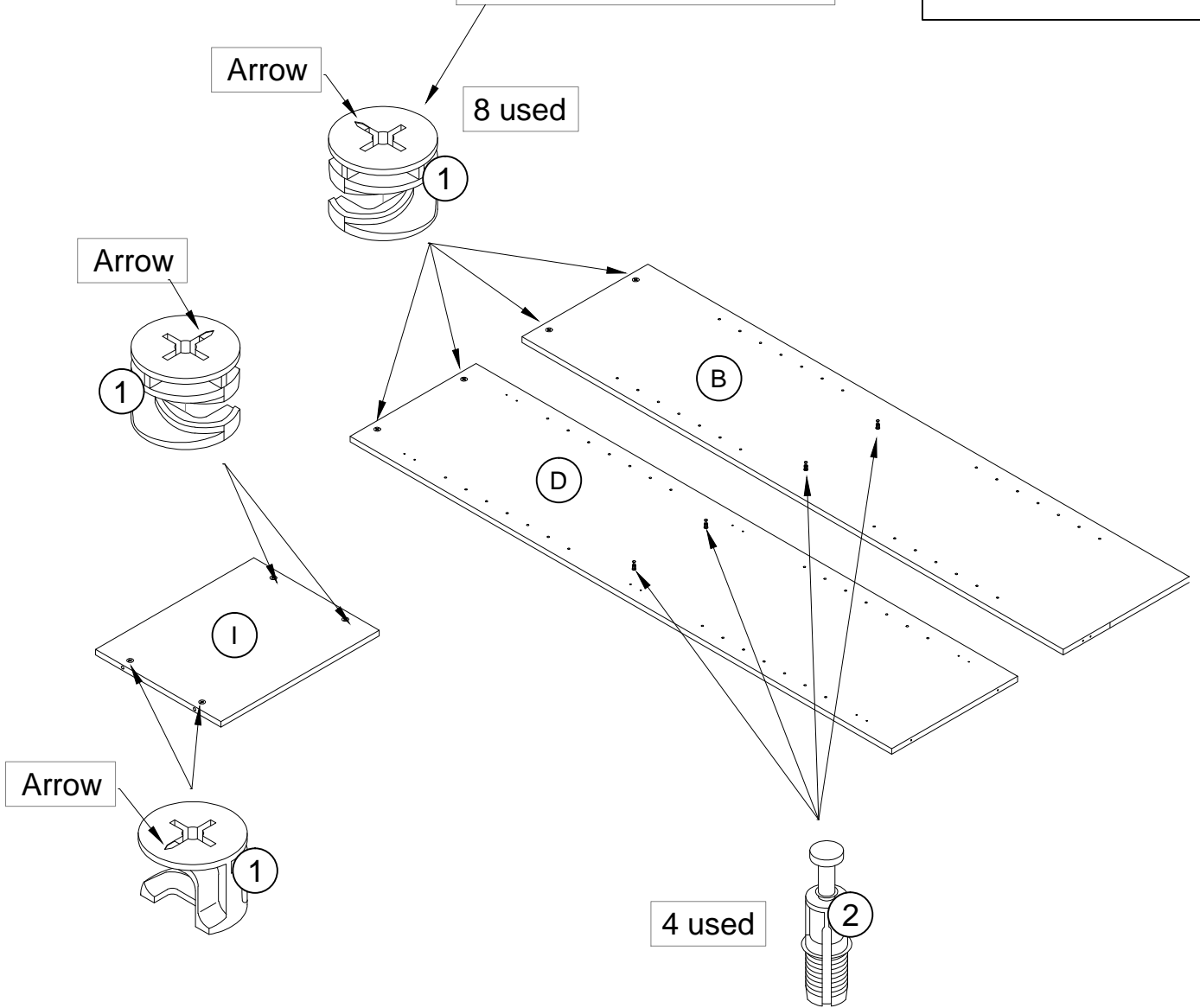
STEP 26 - 50

Step 1

LARGE DOOR OF LEFT

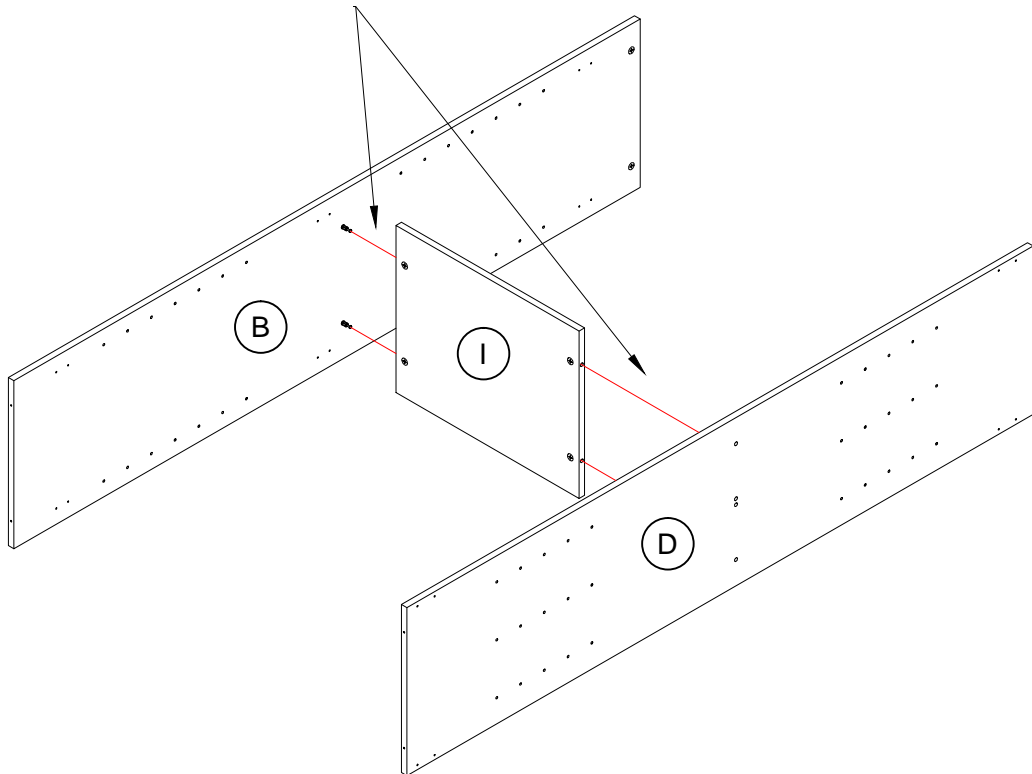
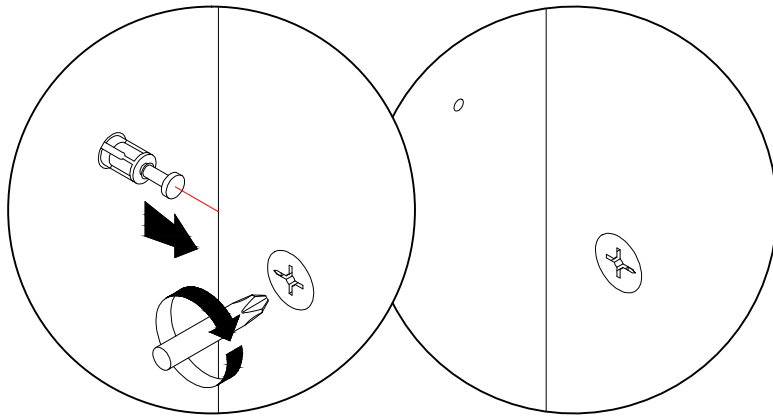
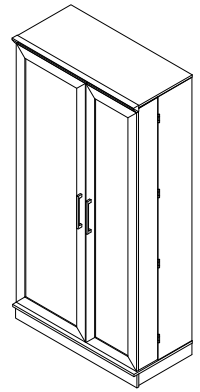


The arrow in the HIDDEN CAM must point toward the hole in the edge of the board.



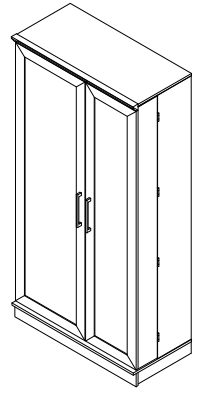
Step 2

LARGE DOOR OF LEFT

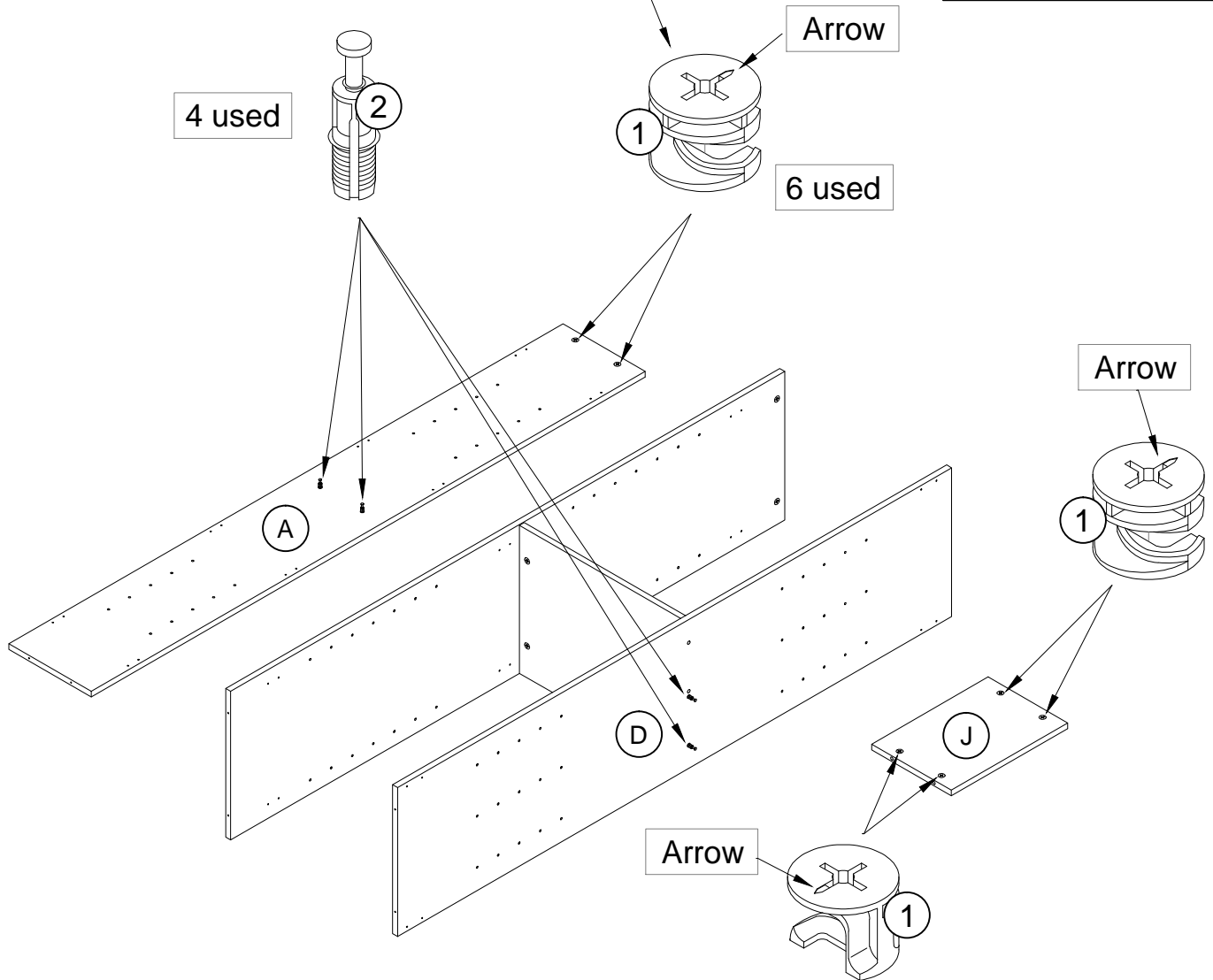


Step 3

LARGE DOOR OF LEFT

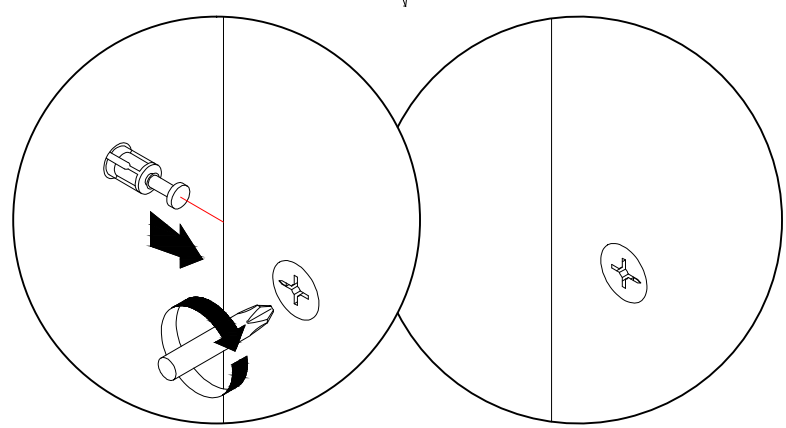
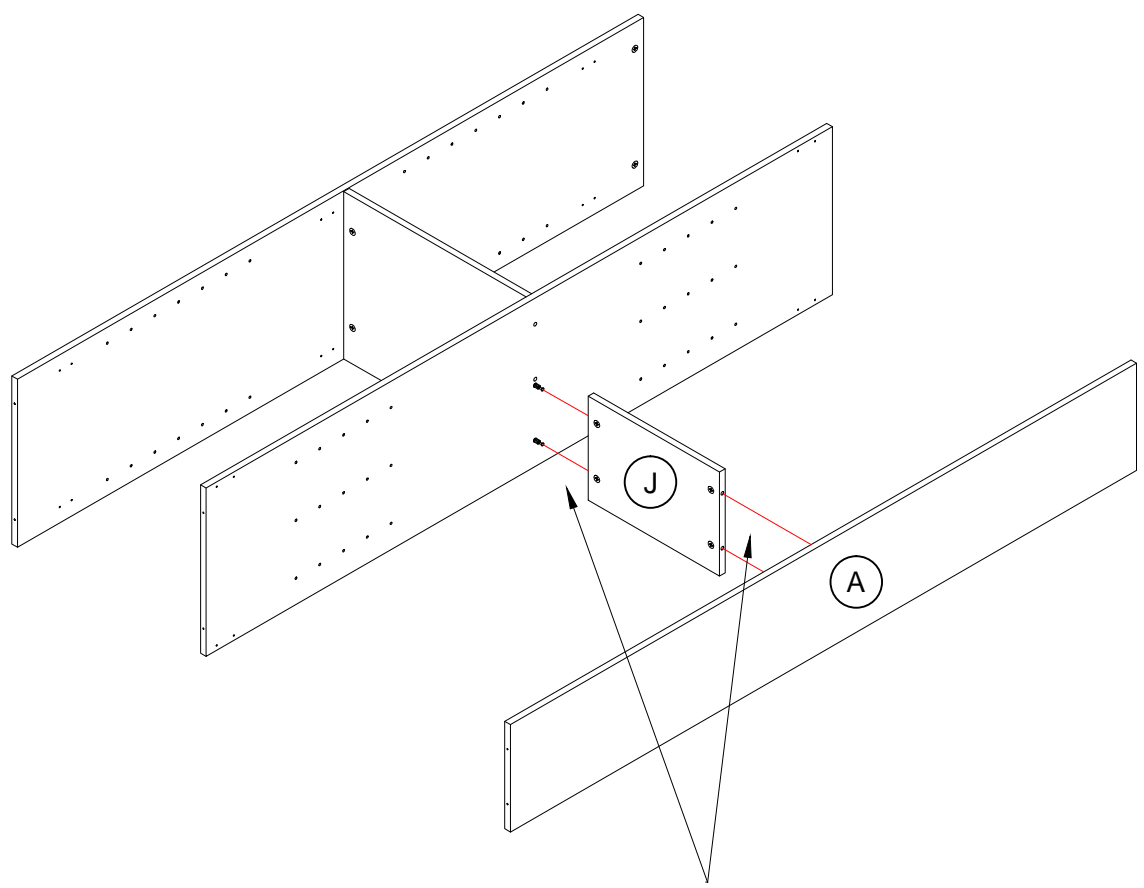
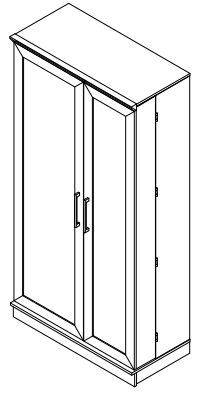


The arrow in the HIDDEN CAM must point toward the hole in the edge of the board.



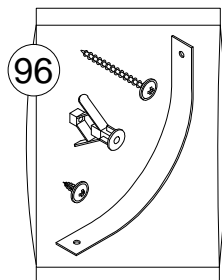
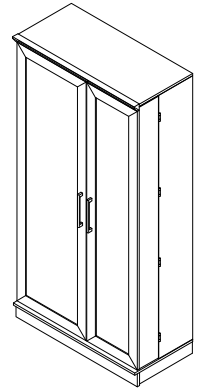
Step 4

LARGE DOOR OF LEFT

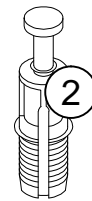


Step 5

LARGE DOOR OF LEFT

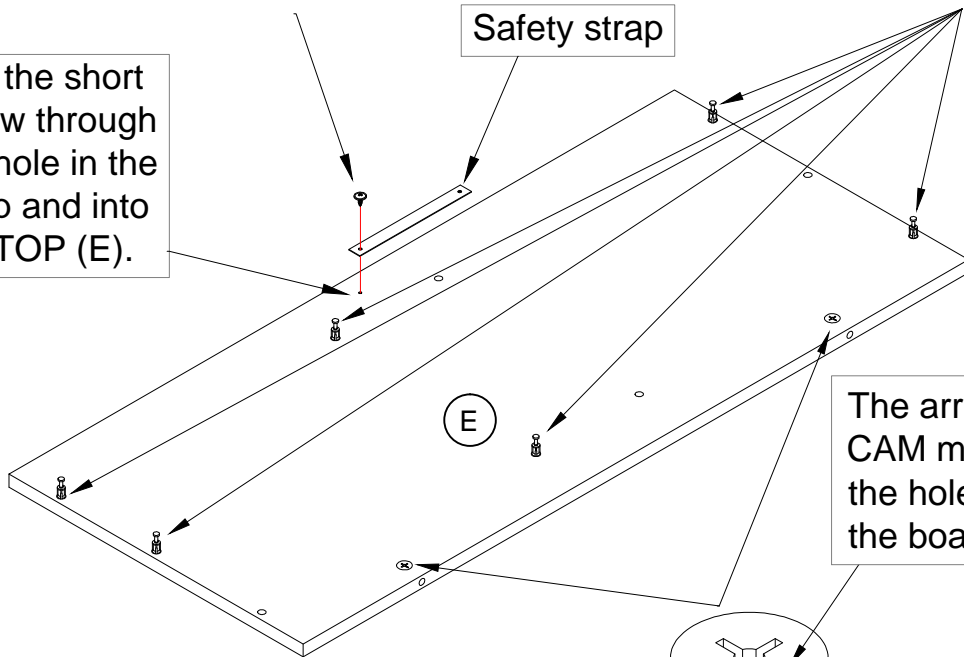


6 used

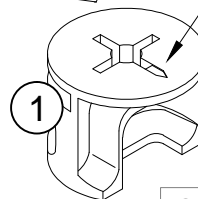


Use the short screw through the hole in the strap and into the TOP (E).

Safety strap



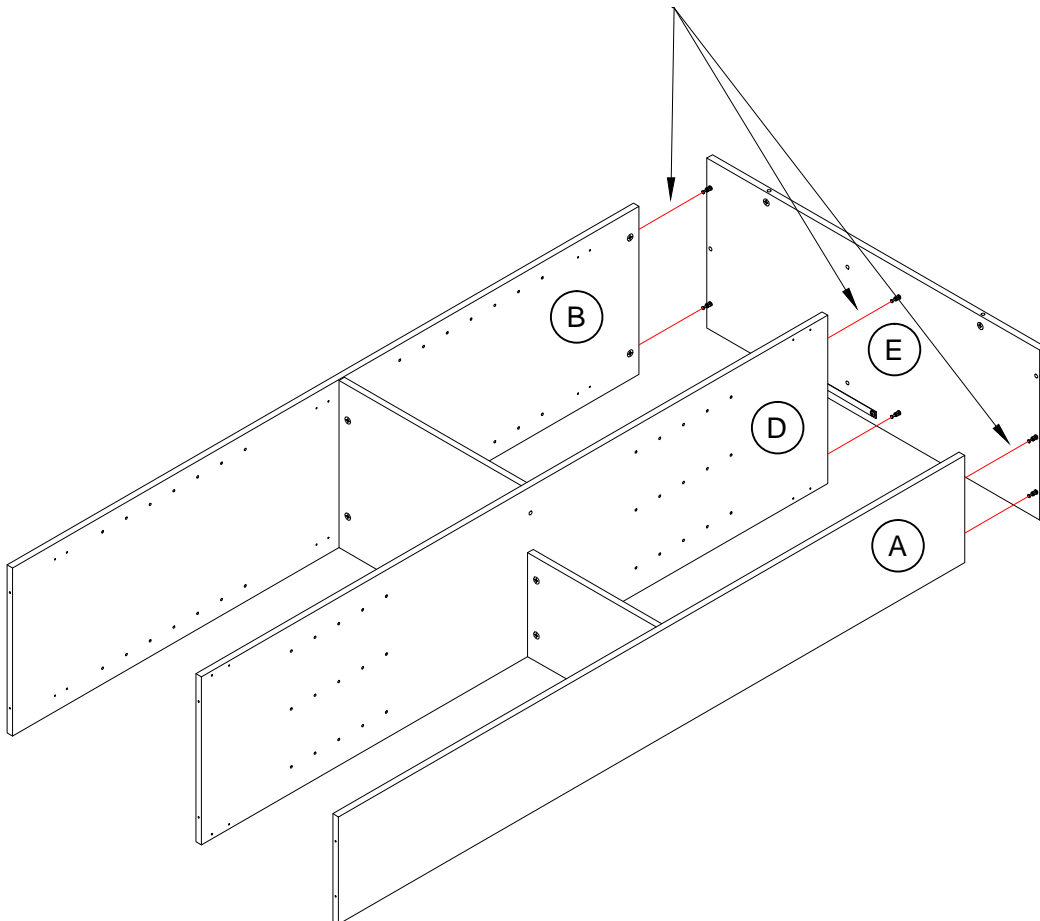
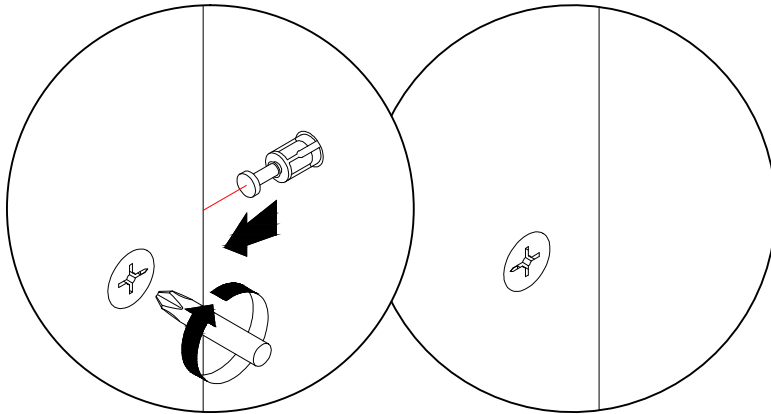
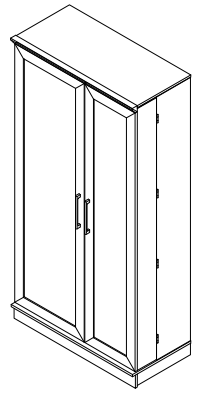
The arrow in the HIDDEN CAM must point toward the hole in the edge of the board.



2 used

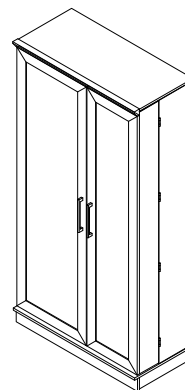
Step 6

LARGE DOOR OF LEFT

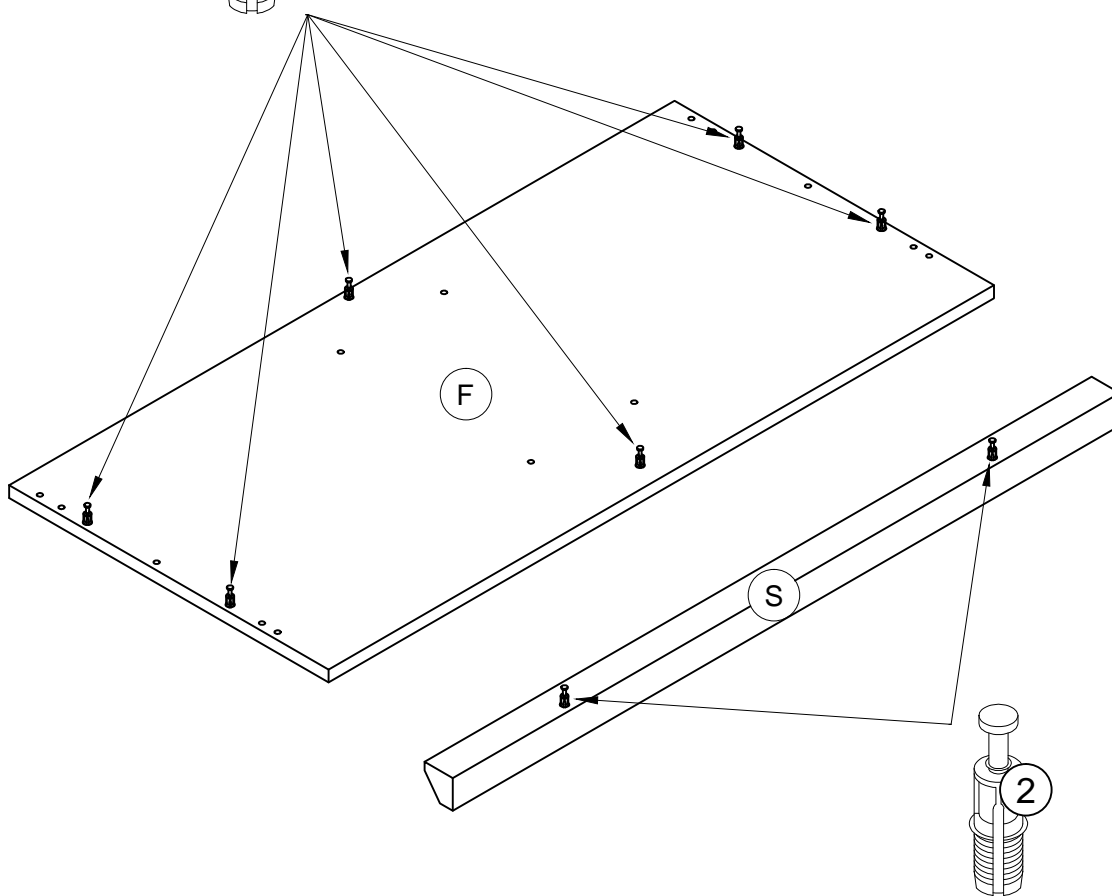
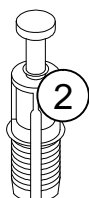


Step 7

LARGE DOOR OF LEFT

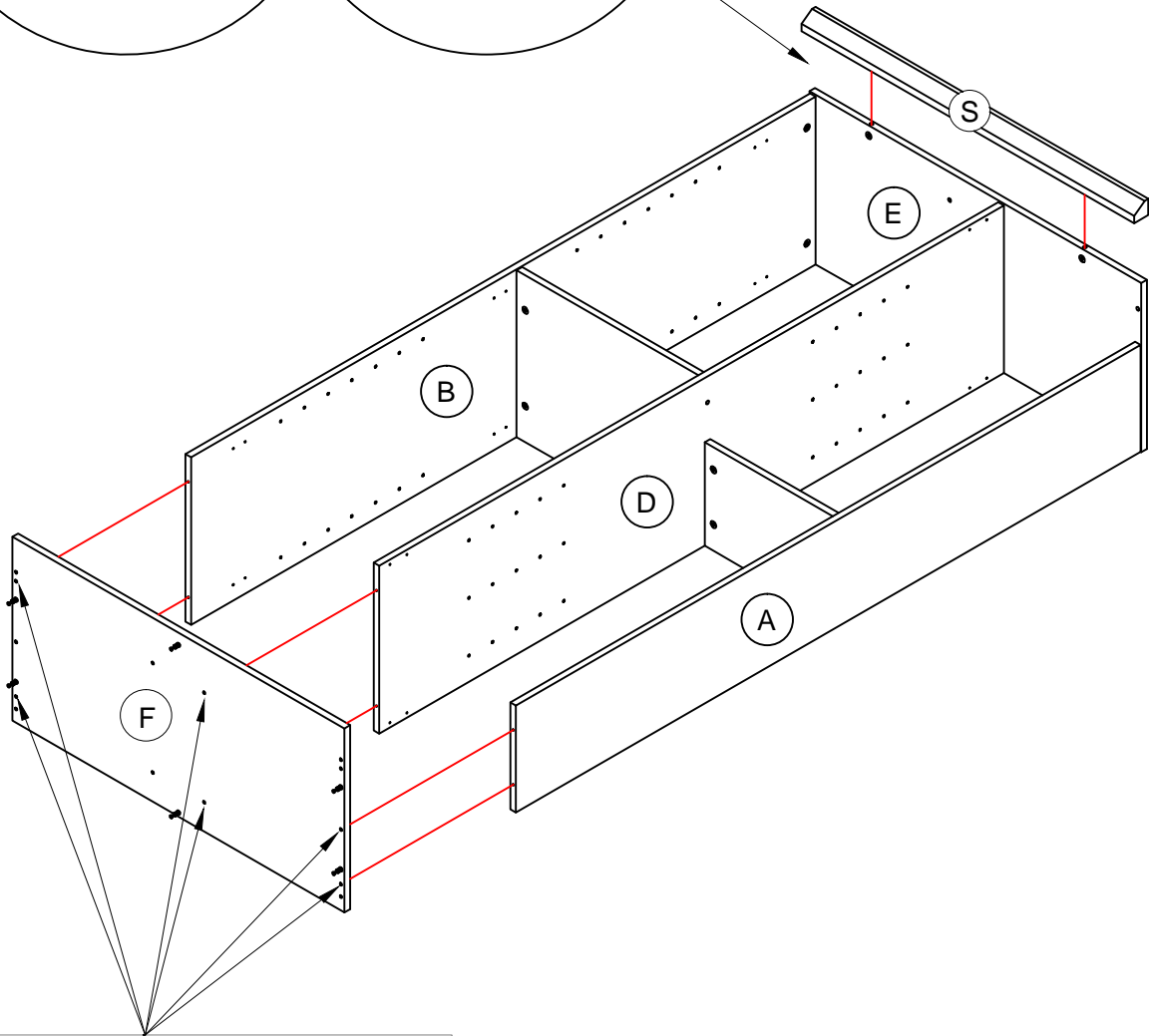
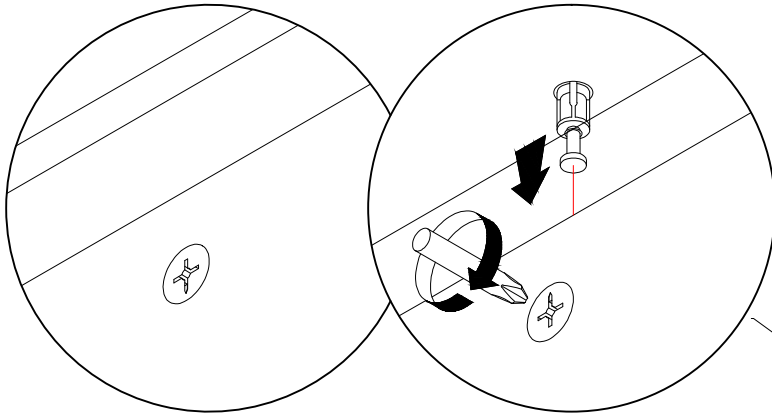
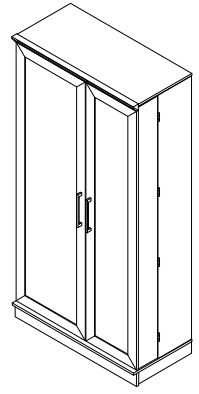


8 used



Step 8

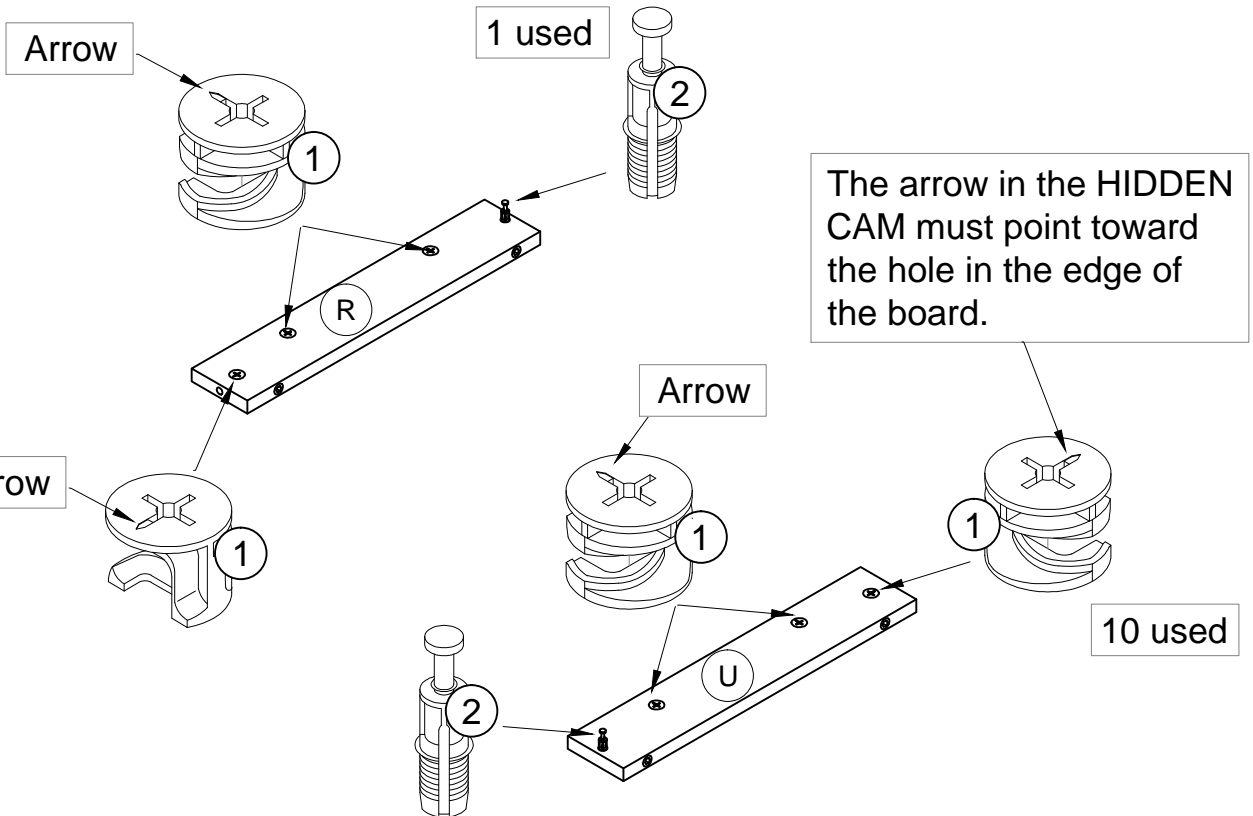
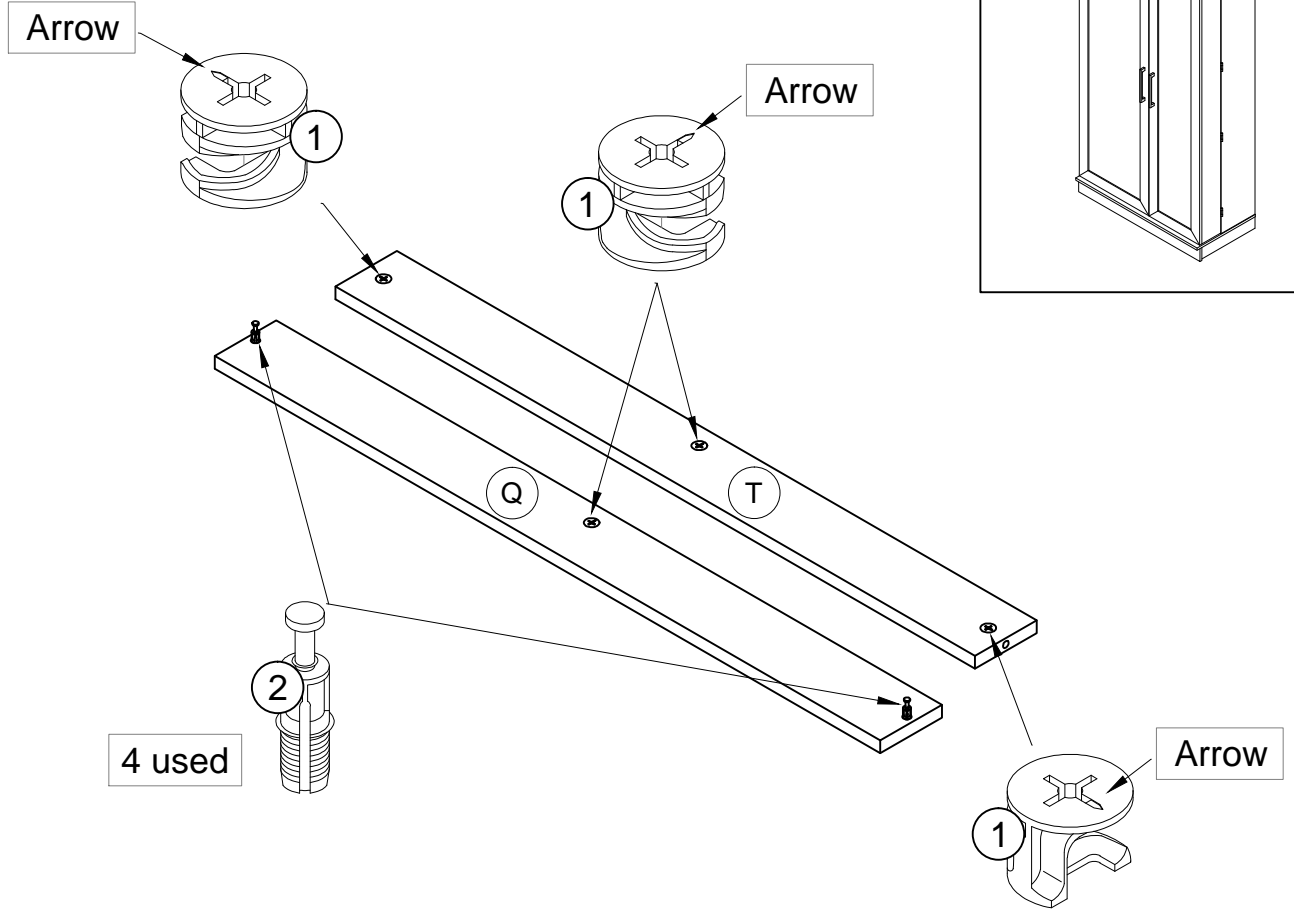
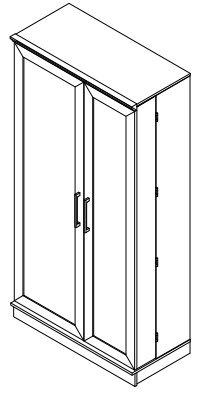
LARGE DOOR OF LEFT



1-3/4" FLAT HEAD SCREW
(6 used in this step)

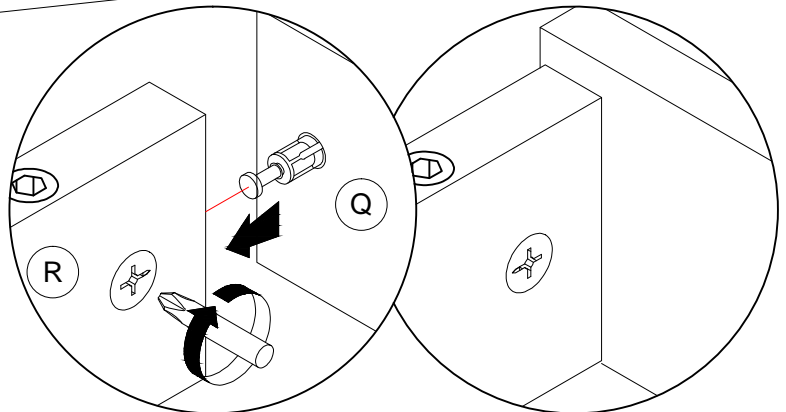
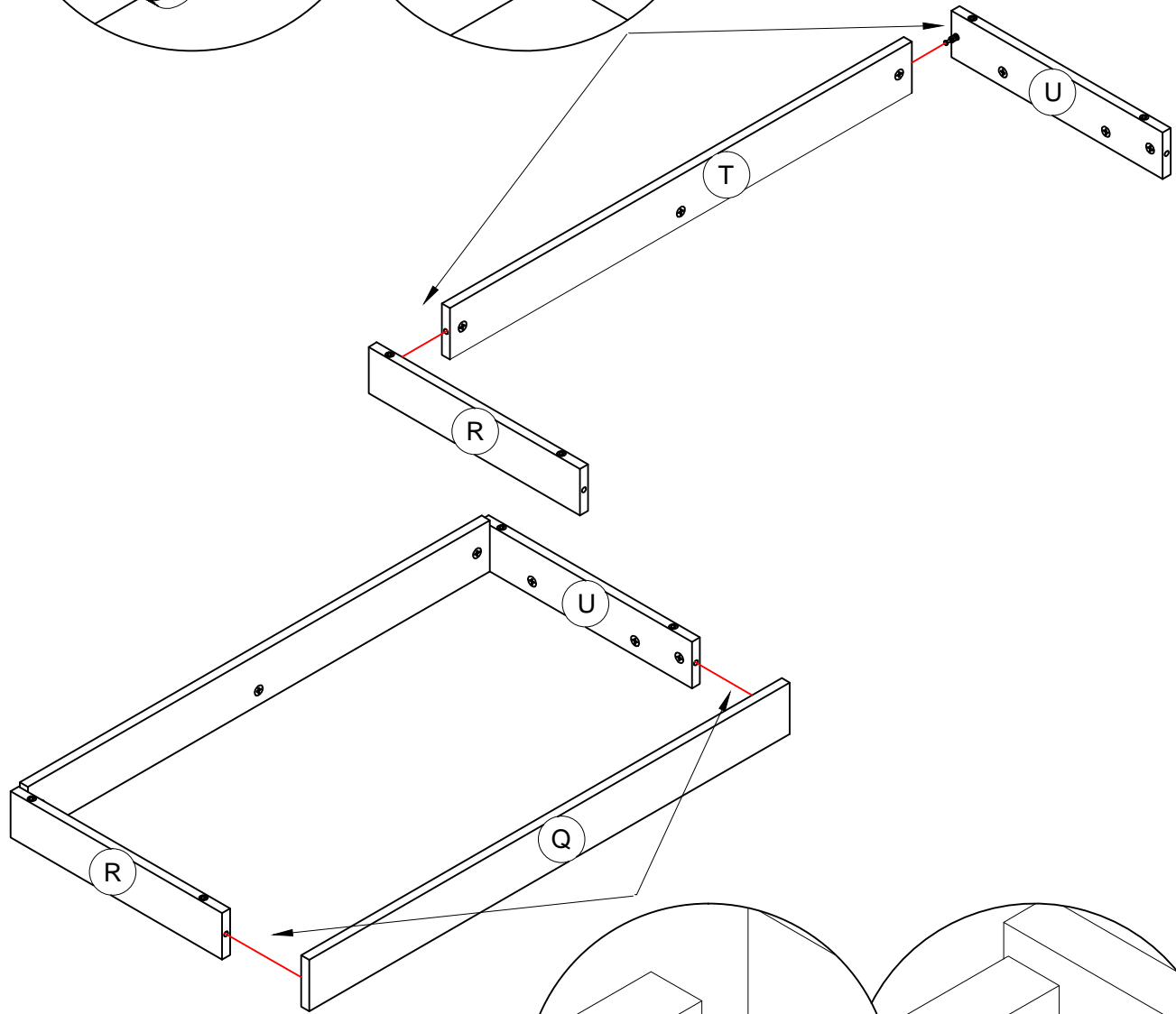
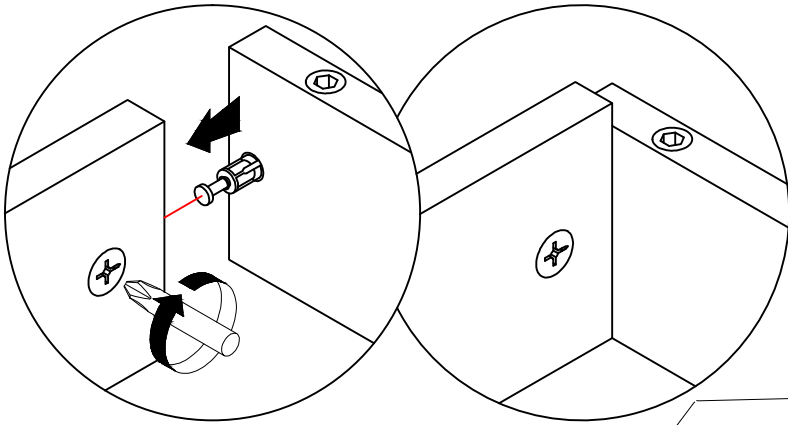
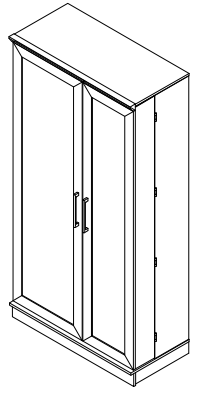
Step 9

LARGE DOOR OF LEFT



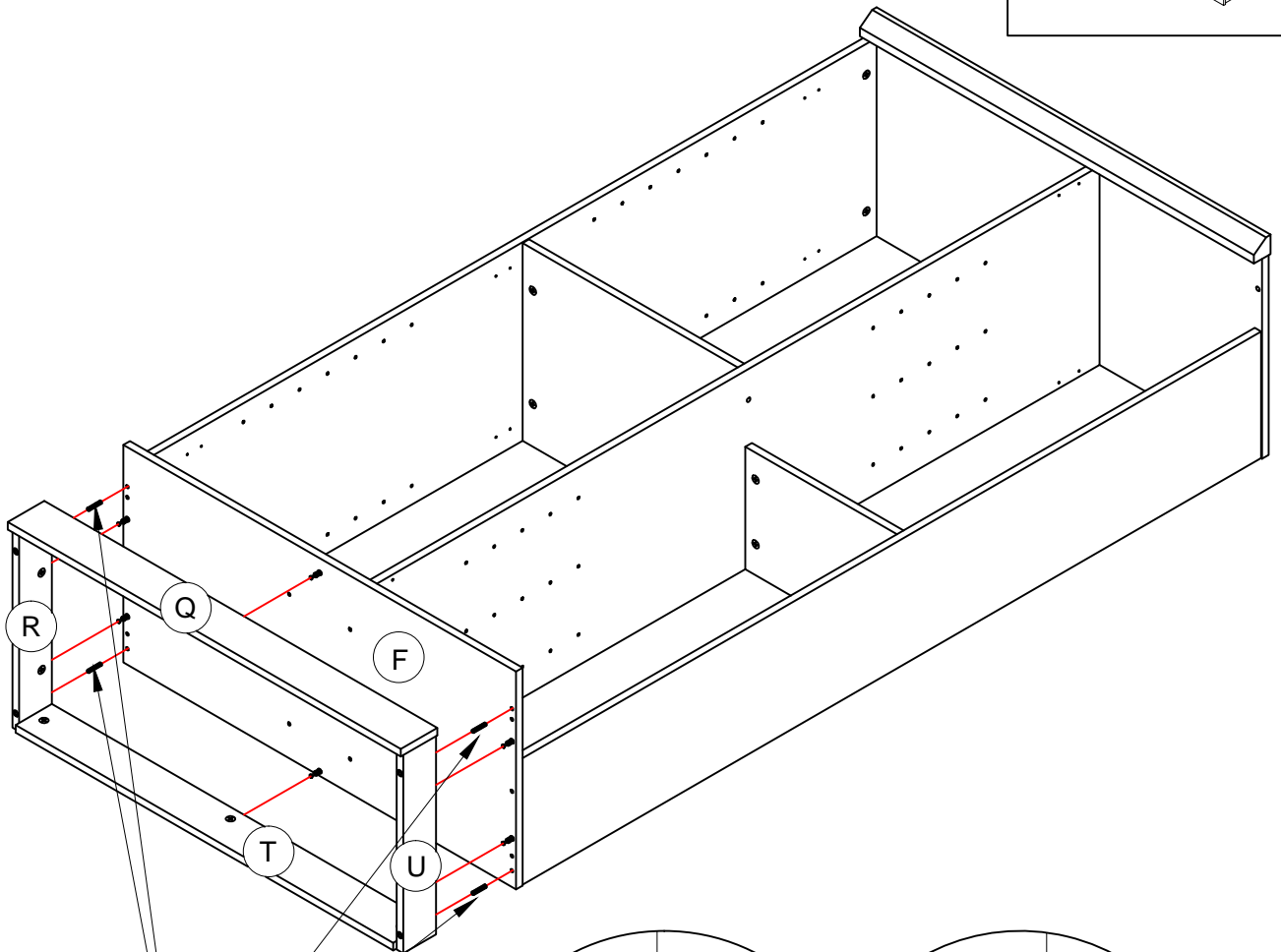
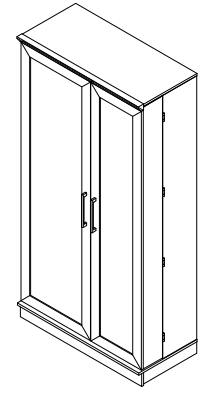
Step 10

LARGE DOOR OF LEFT

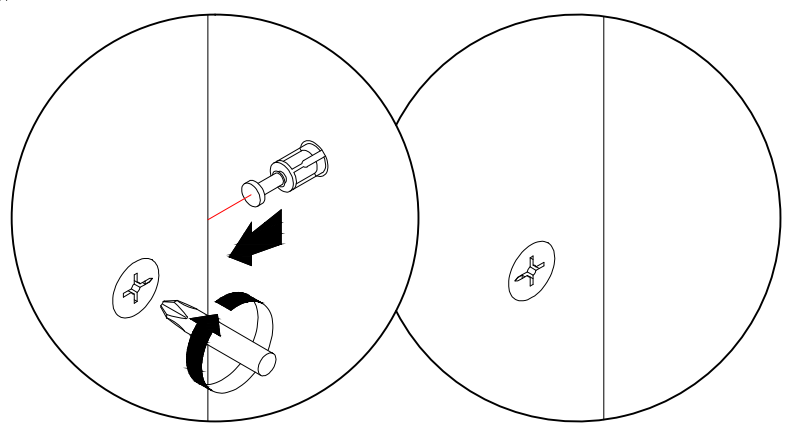
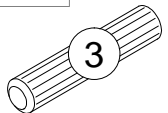


Step 11

LARGE DOOR OF LEFT

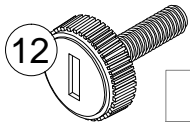
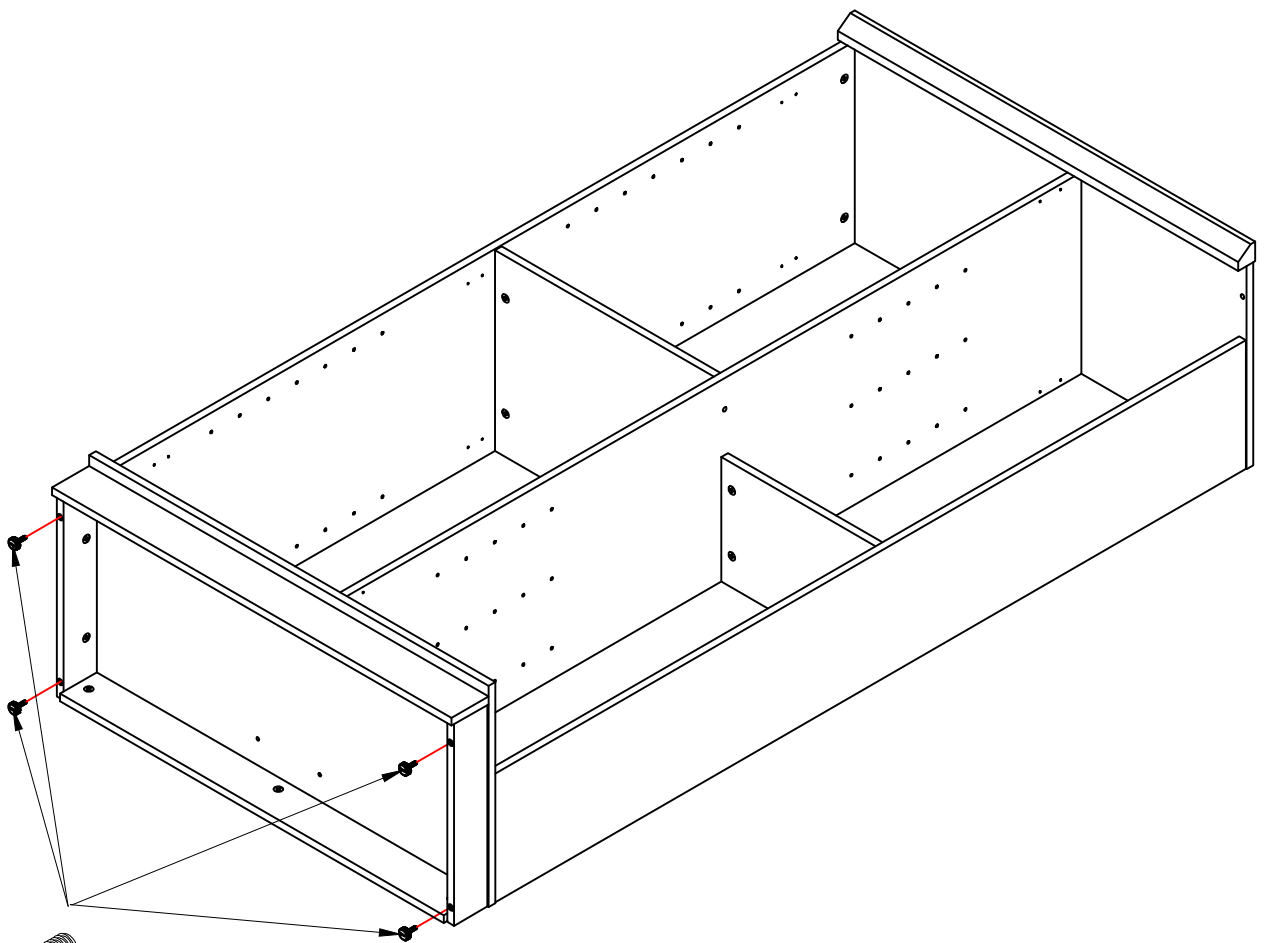
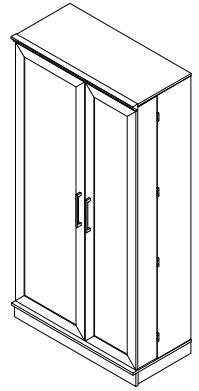


4 used



Step 12

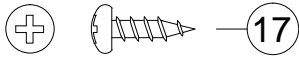
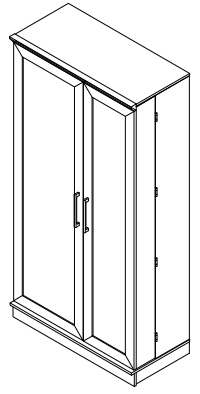
LARGE DOOR OF LEFT



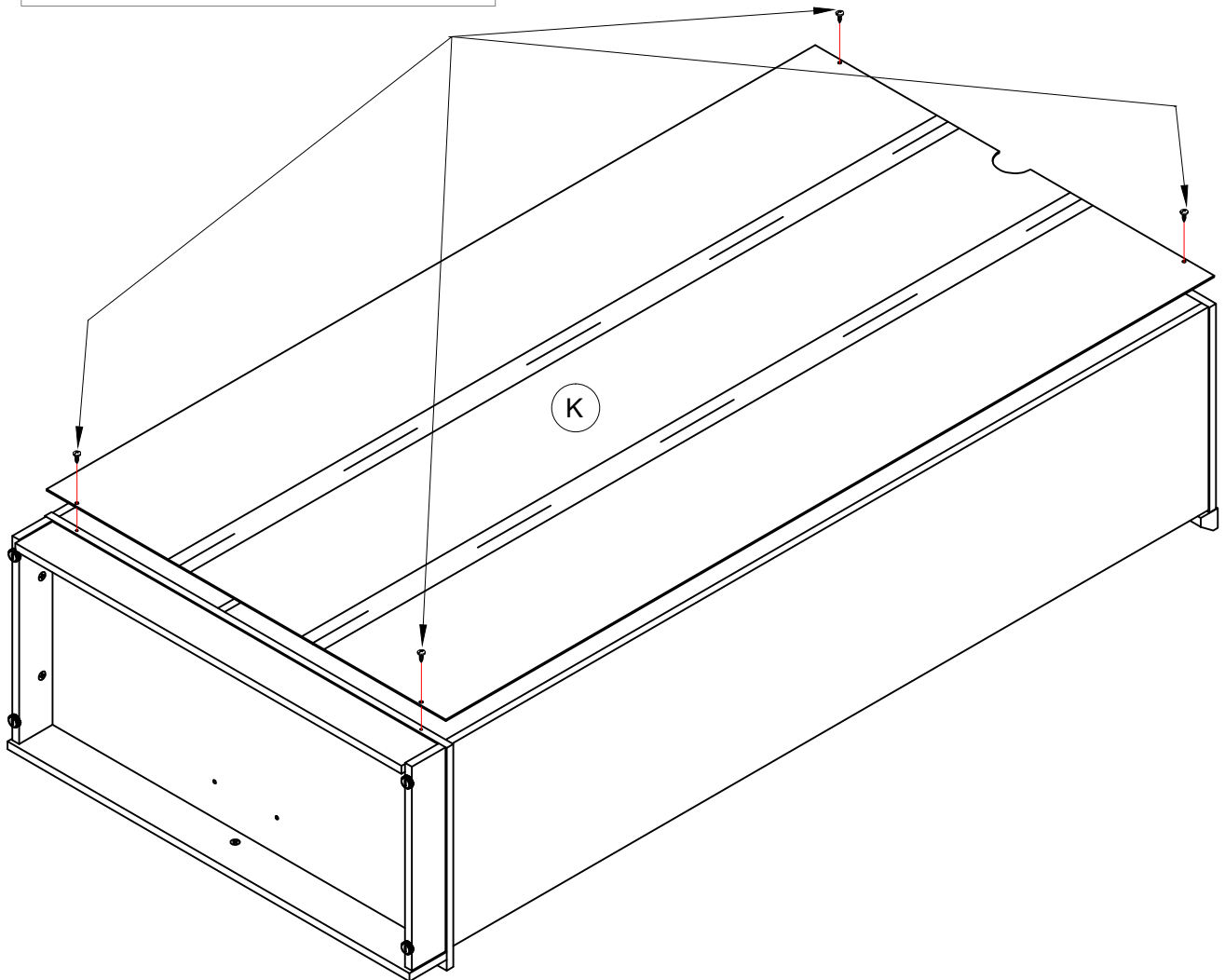
4 used

Step 13

LARGE DOOR OF LEFT

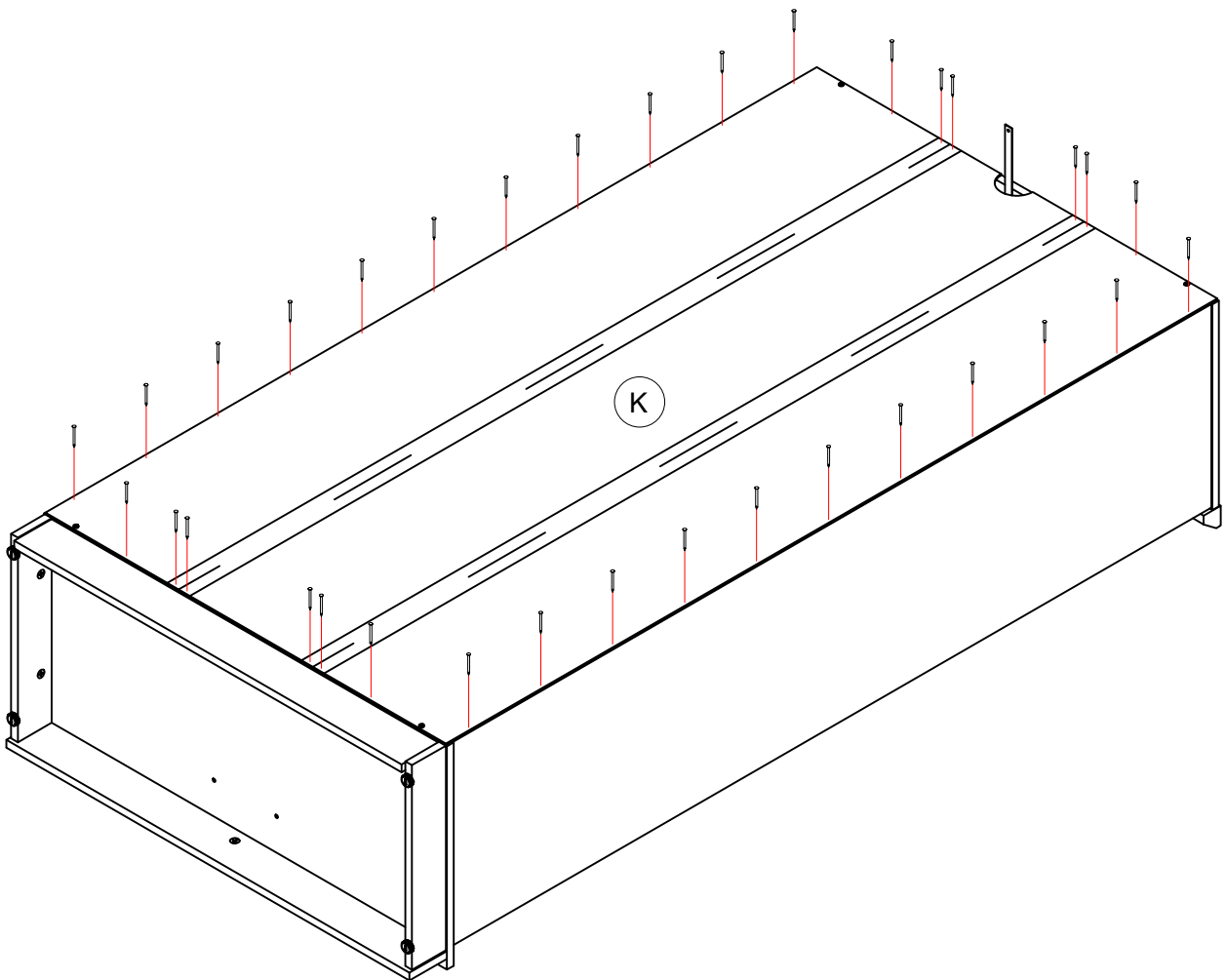
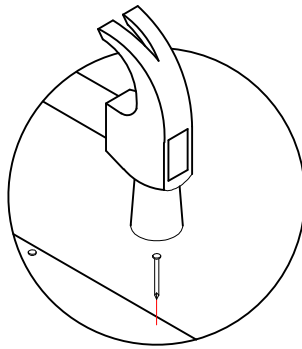
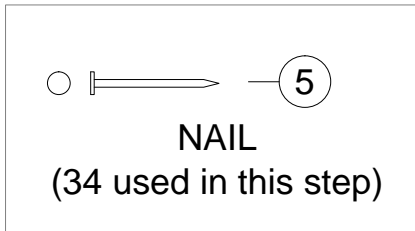
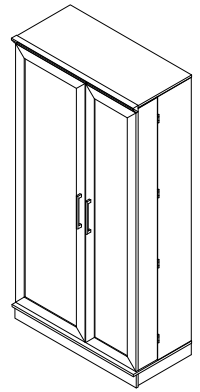


1/2" PAN HEAD SCREW
(4 used in this step)



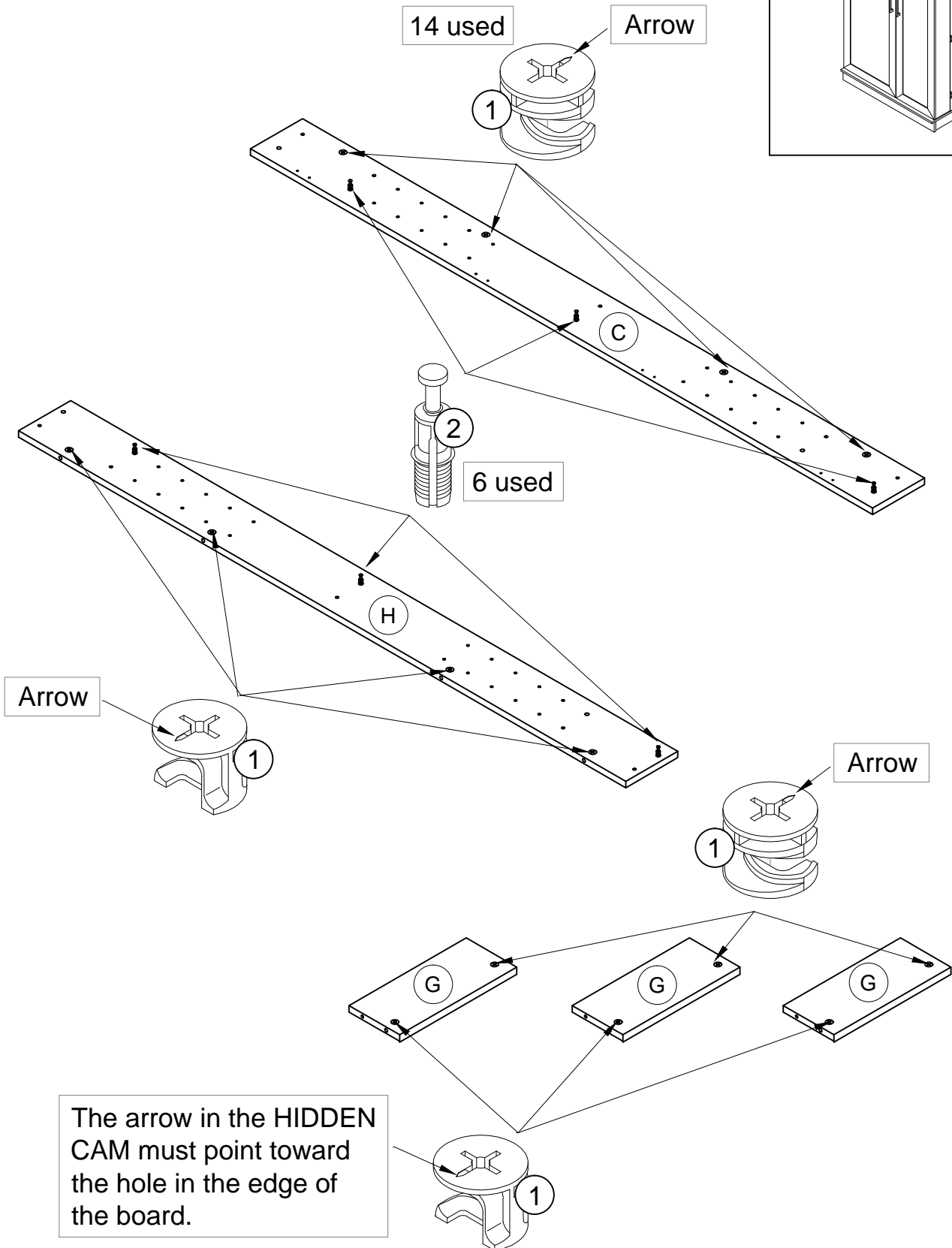
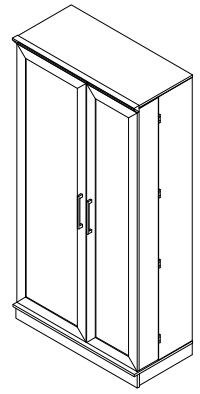
Step 14

LARGE DOOR OF LEFT



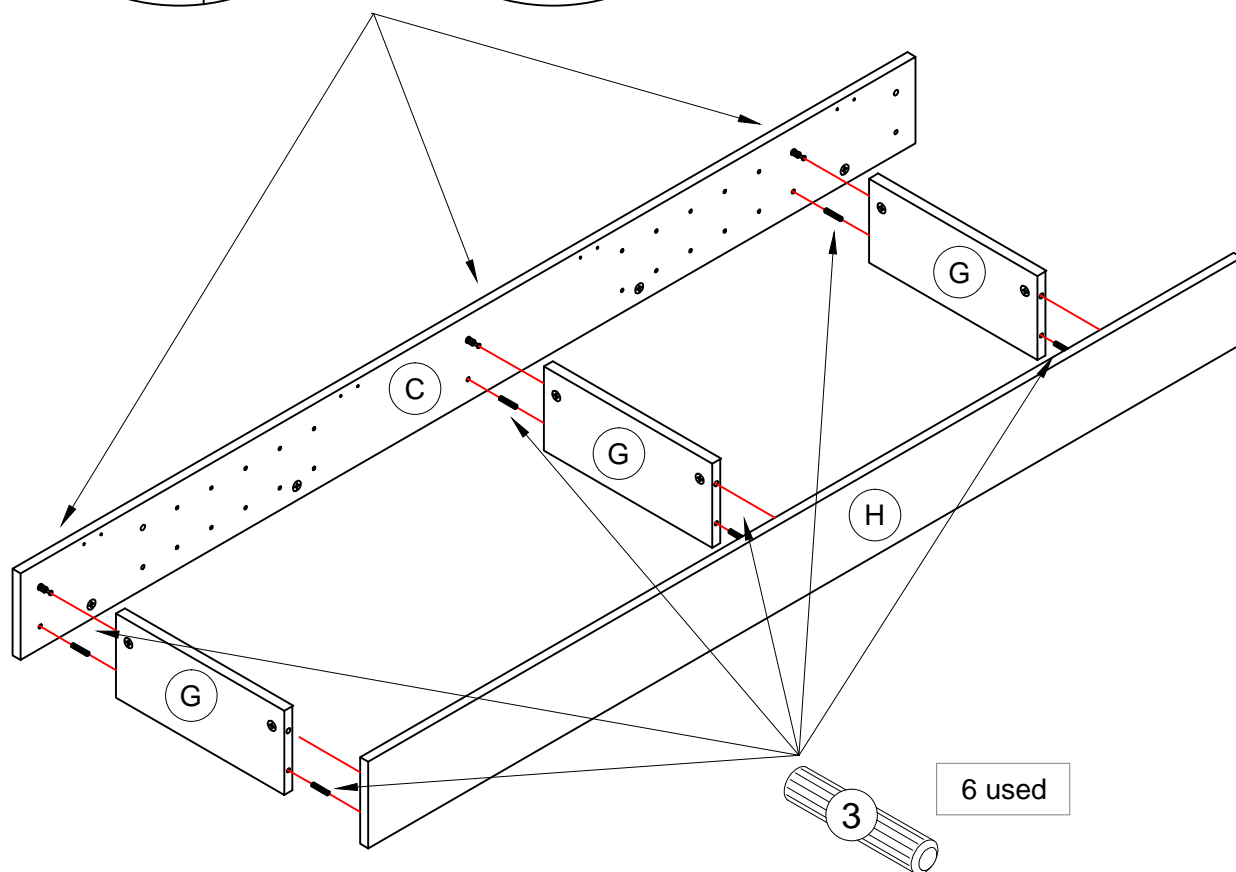
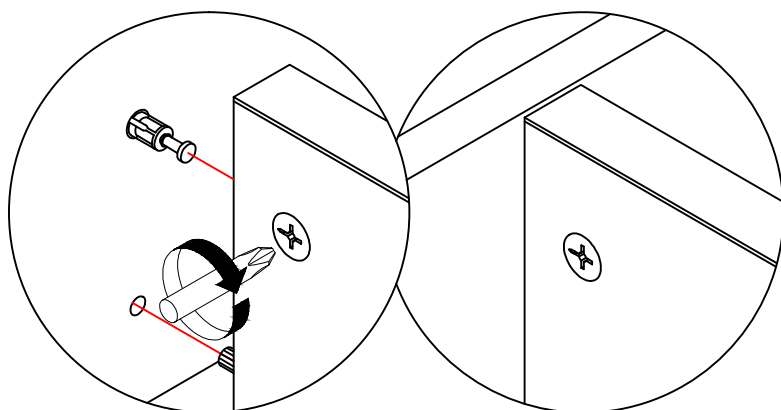
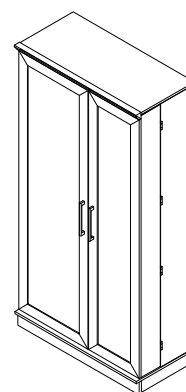
Step 15

LARGE DOOR OF LEFT



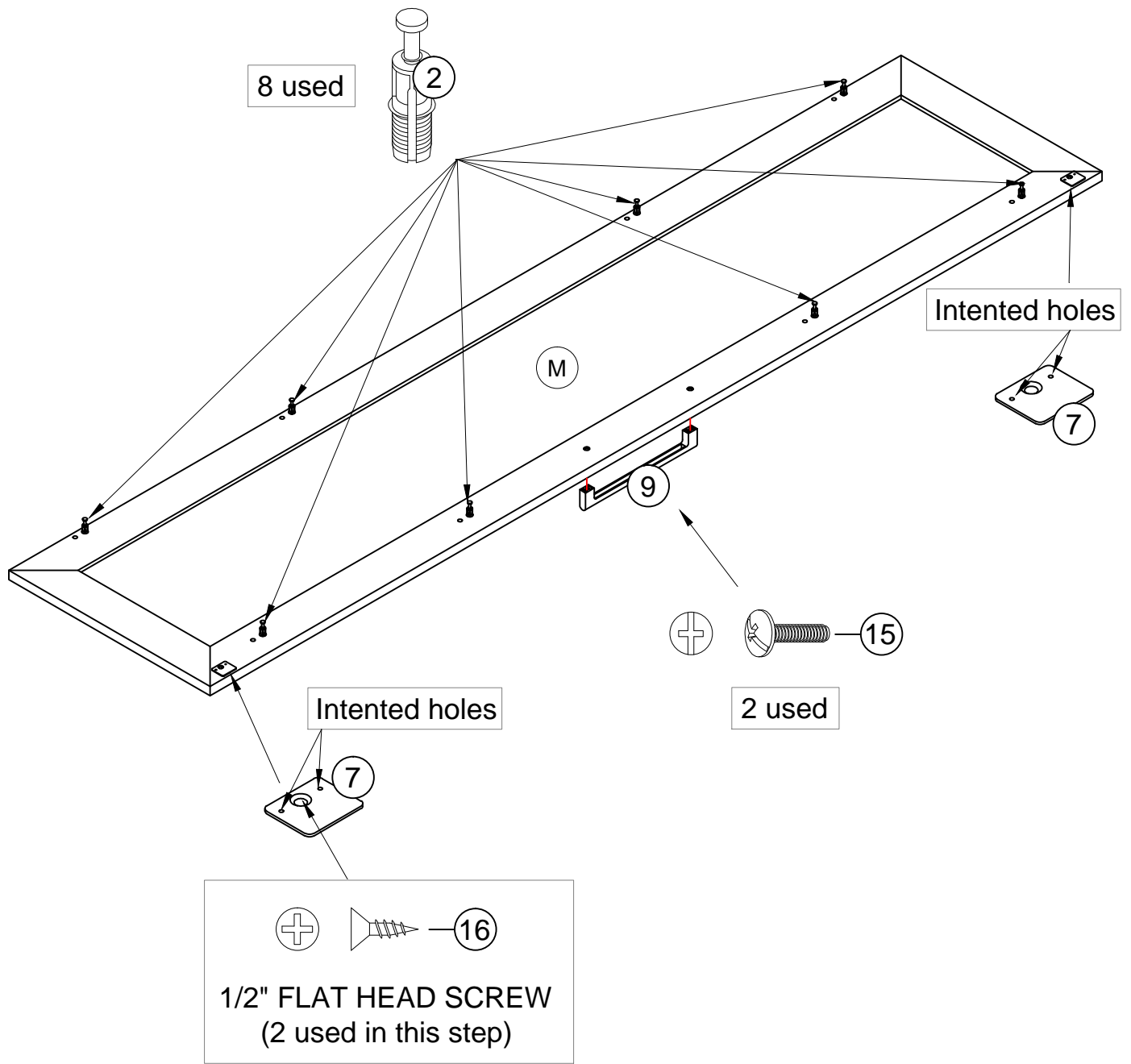
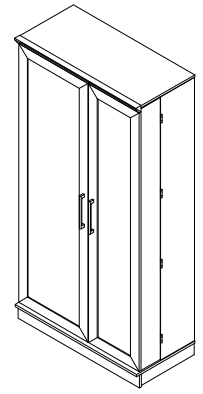
Step 16

LARGE DOOR OF LEFT



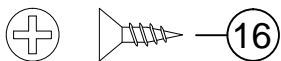
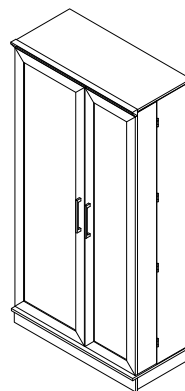
Step 17

LARGE DOOR OF LEFT

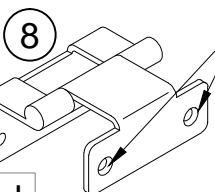


Step 18

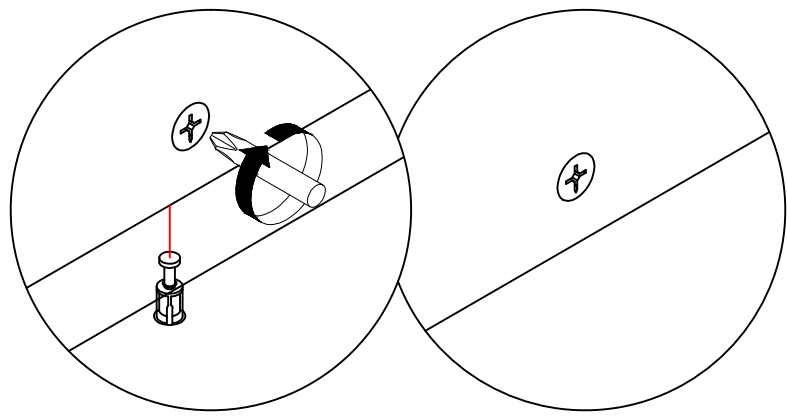
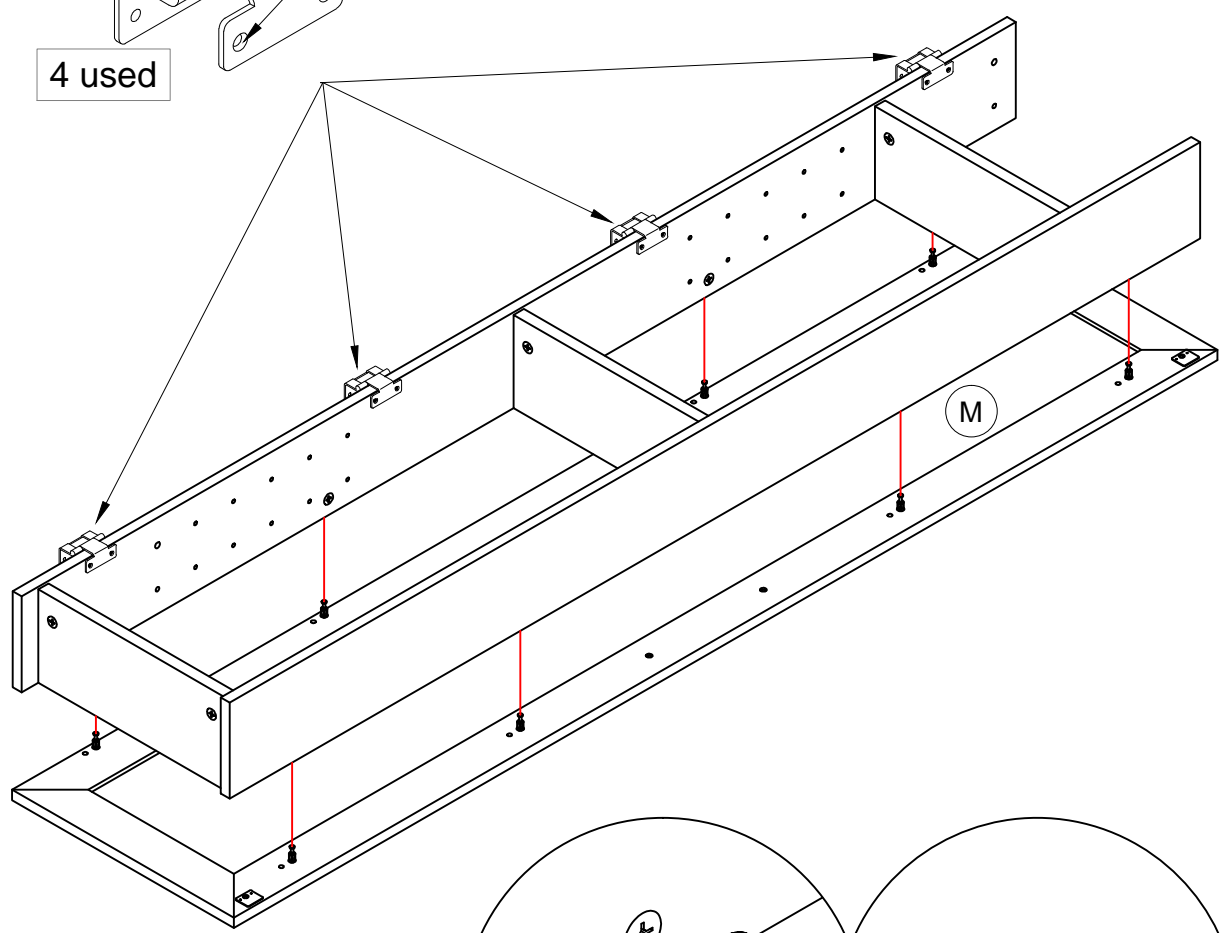
LARGE DOOR OF LEFT



1/2" FLAT HEAD SCREW
(8 used in this step)

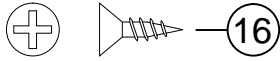
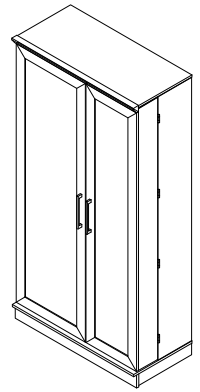


4 used

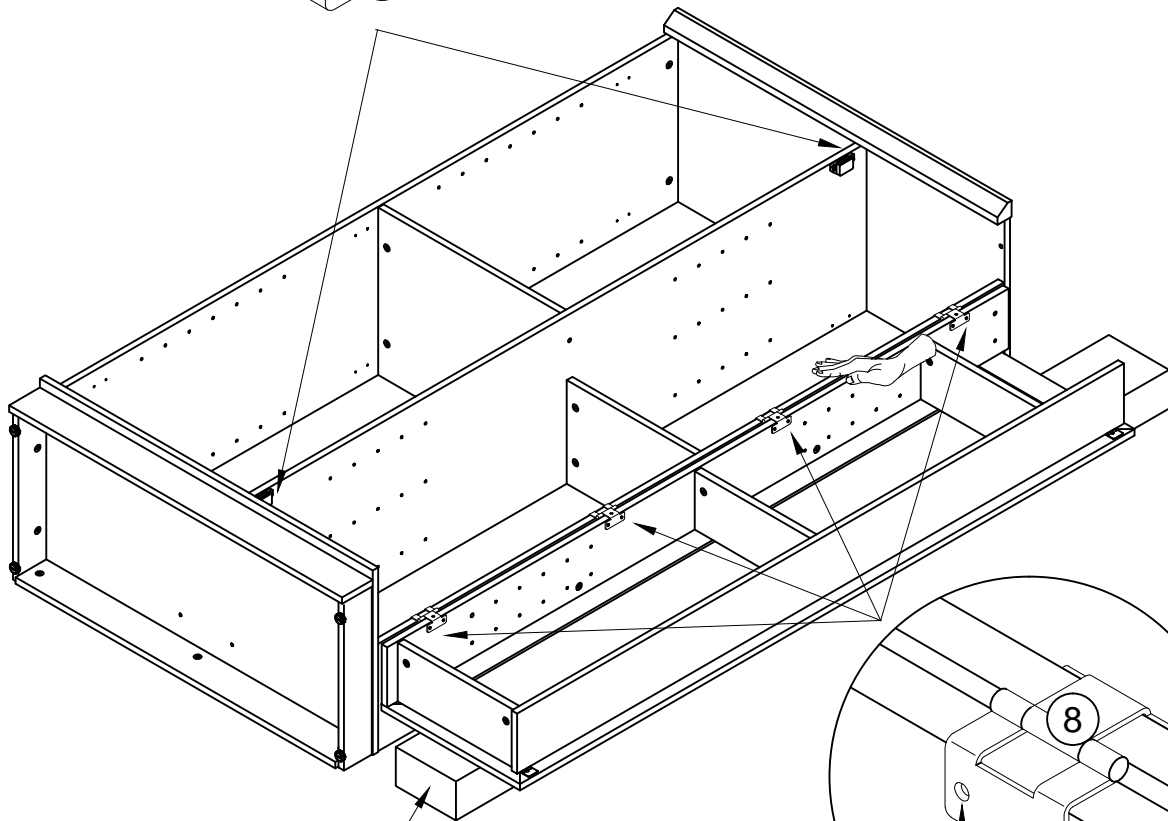
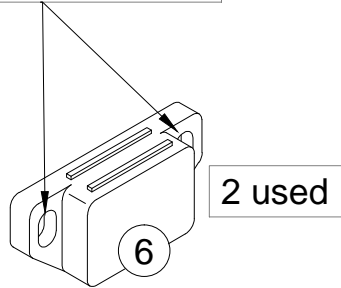


Step 19

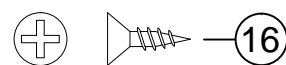
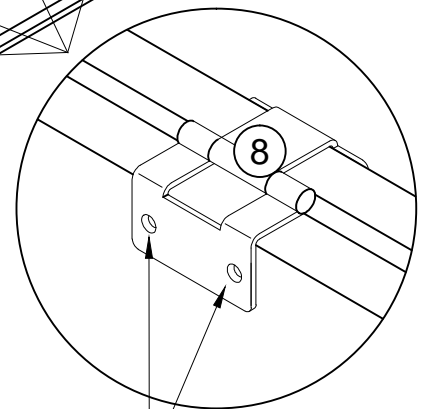
LARGE DOOR OF LEFT



1/2" FLAT HEAD SCREW
(12 used in this step)



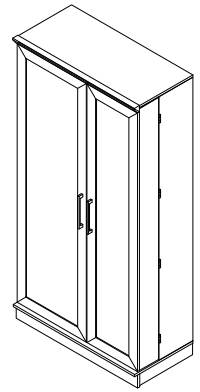
Place packing material, books
or magazines underneath the
SMALL DOOR for support.



1/2" FLAT HEAD SCREW

Step 20

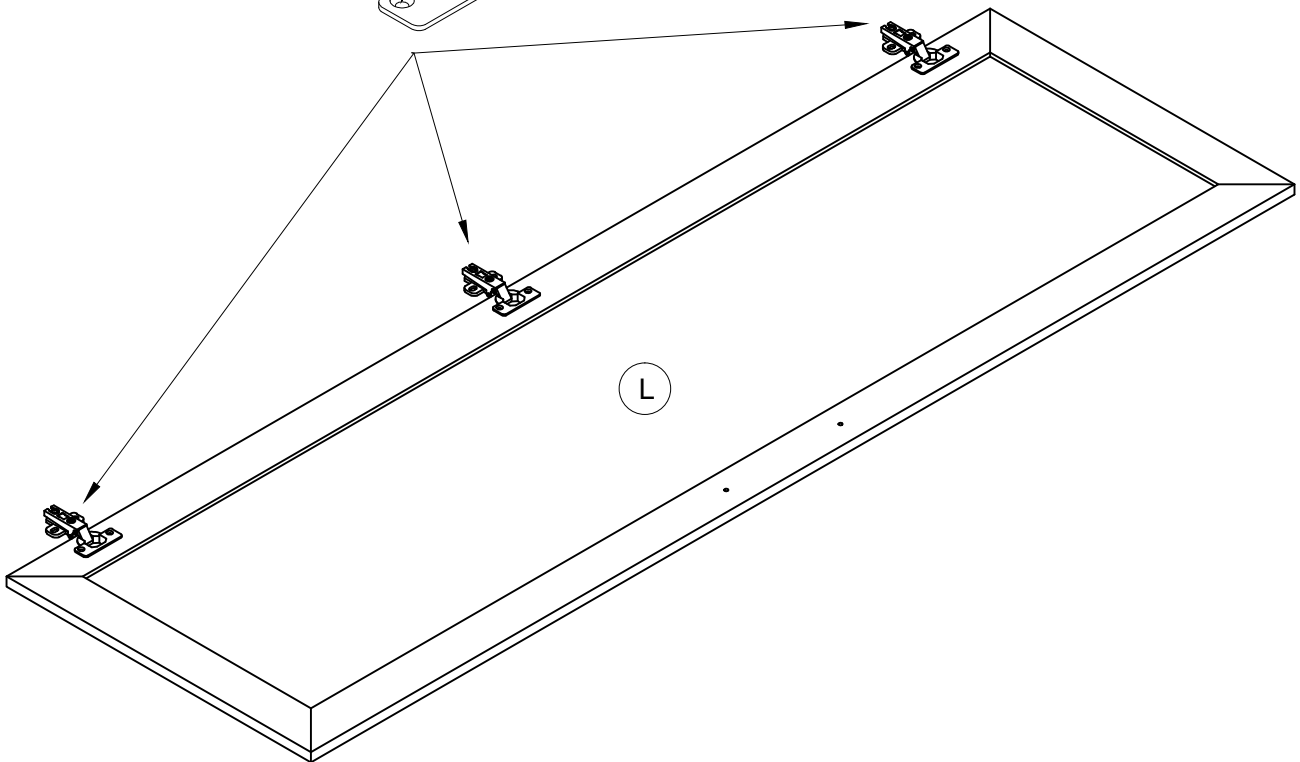
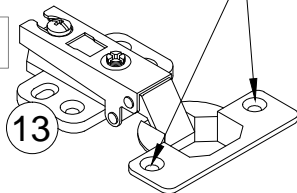
LARGE DOOR OF LEFT



16

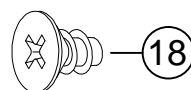
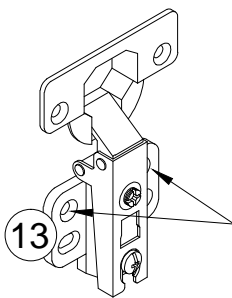
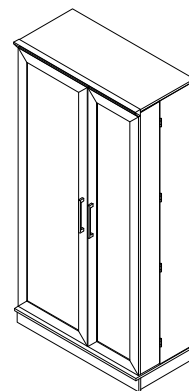
1/2" FLAT HEAD SCREW
(6 used in this step)

3 used

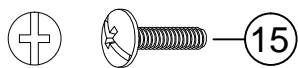


Step 21

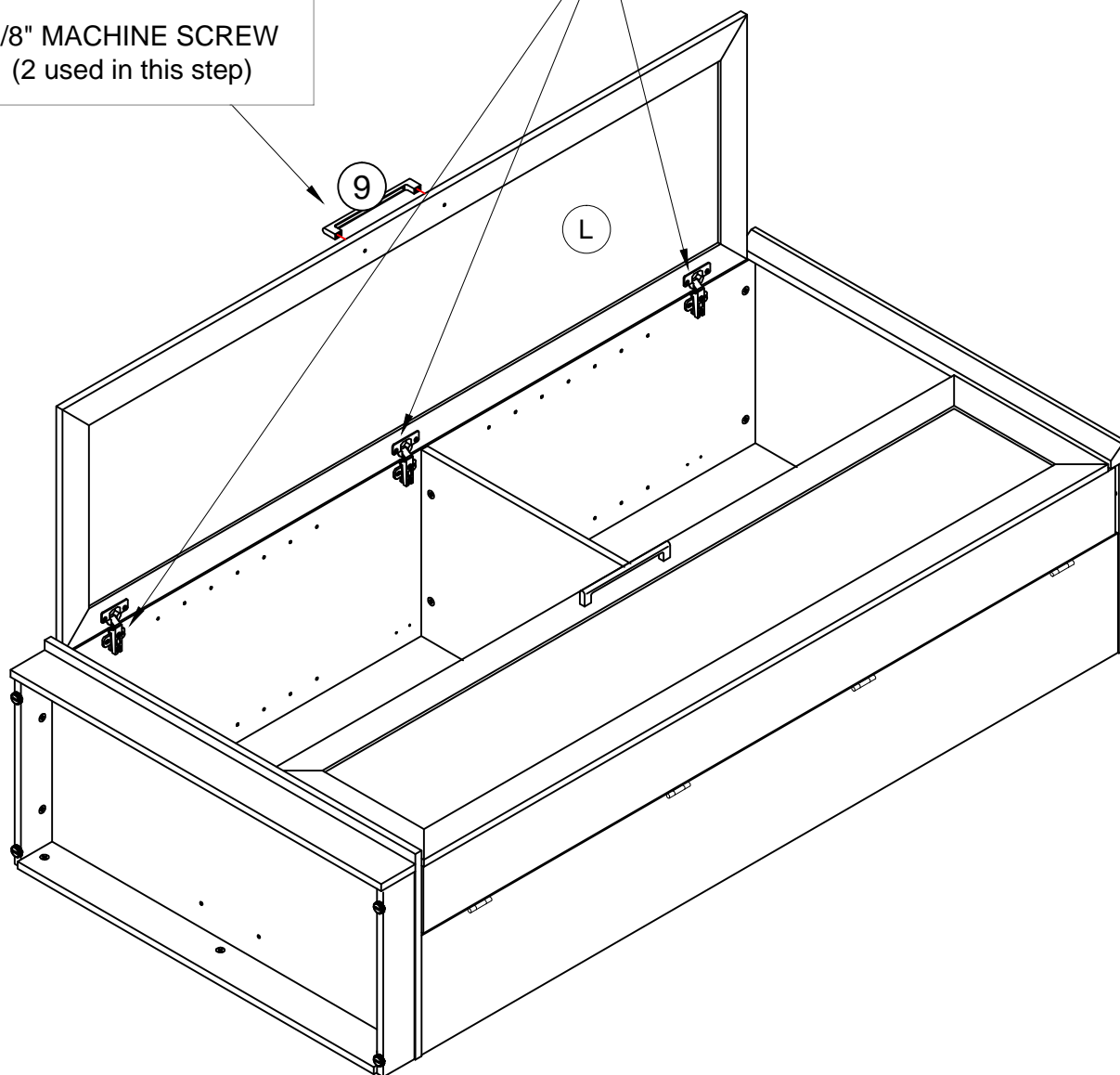
LARGE DOOR OF LEFT



M6.3 x 10MM ZB EURO SCREW
(6 used in this step)

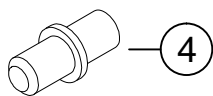
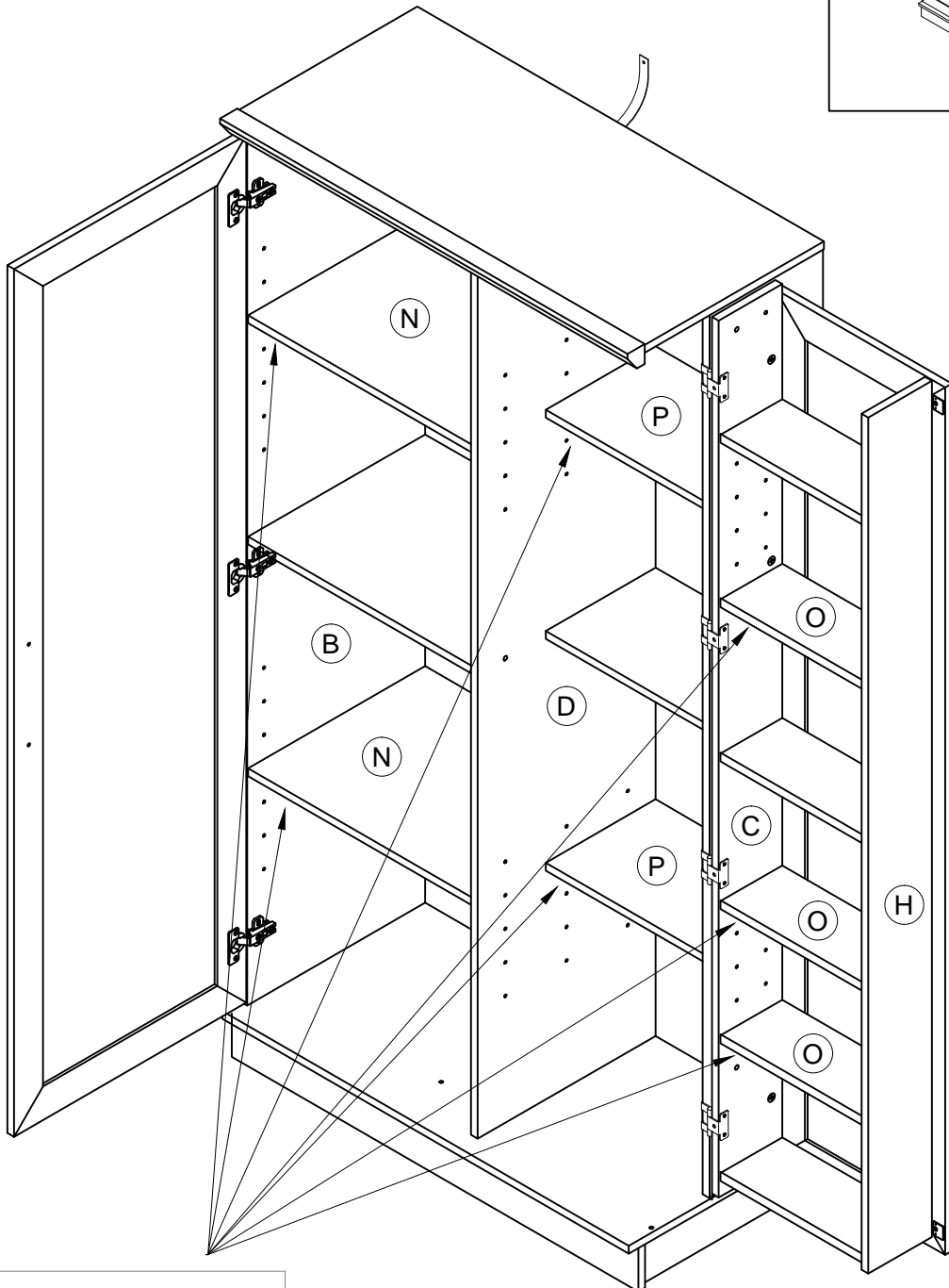
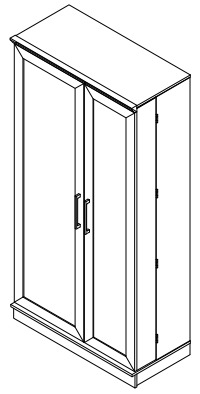


5/8" MACHINE SCREW
(2 used in this step)



Step 22

LARGE DOOR OF LEFT

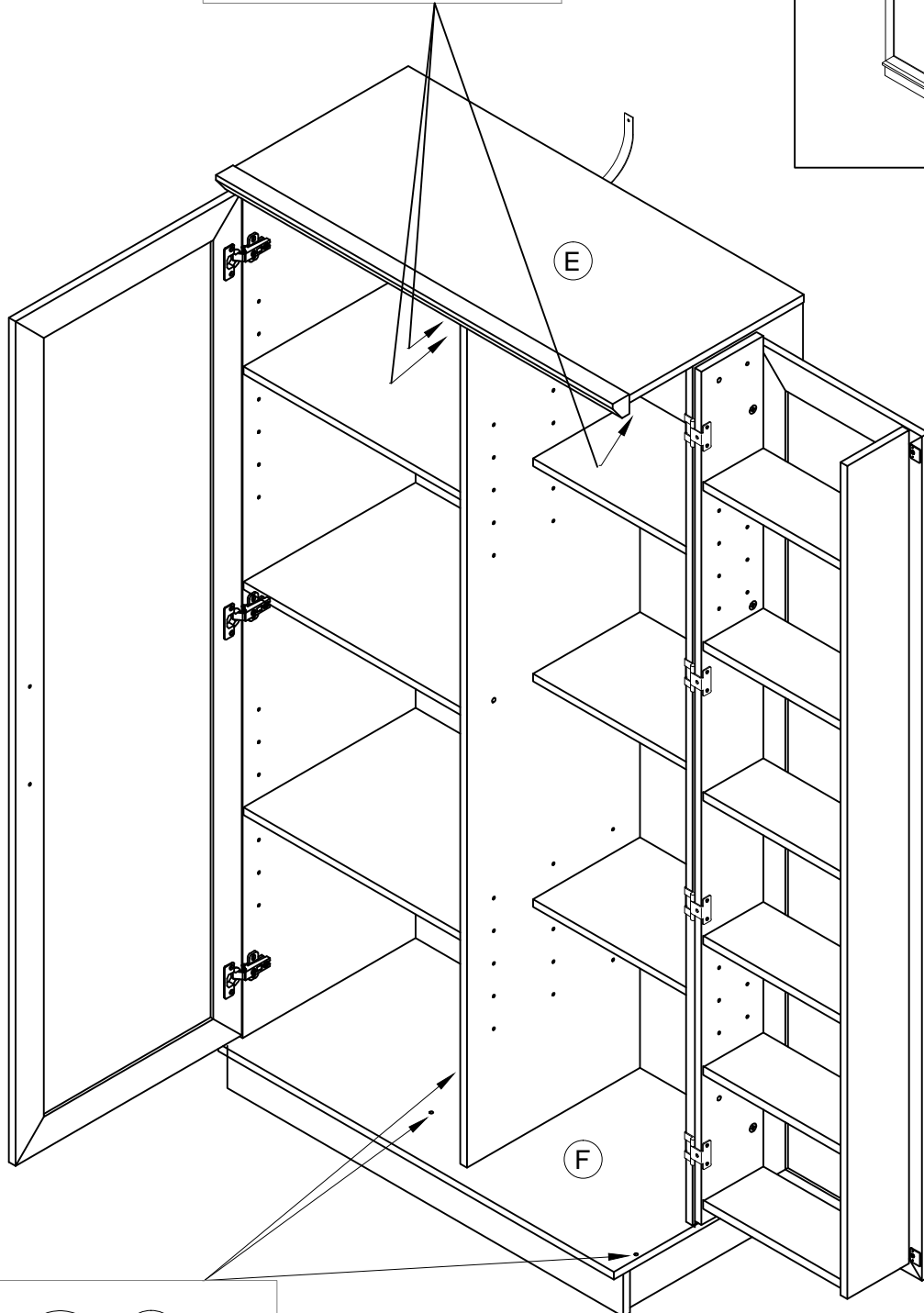
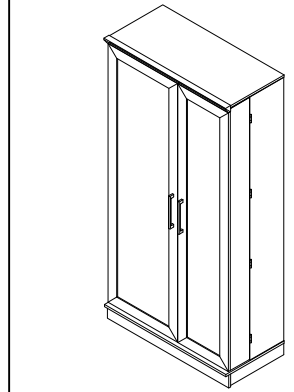
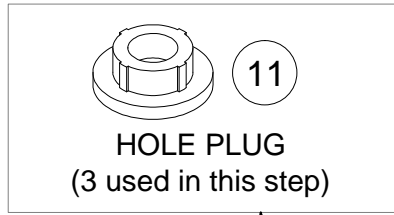


4

METAL PIN
(28 used in this step)

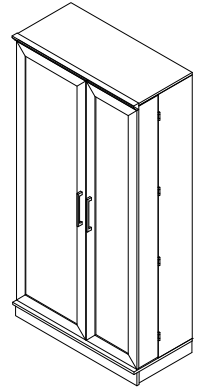
Step 23

LARGE DOOR OF LEFT

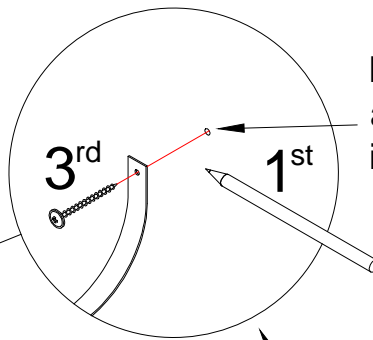
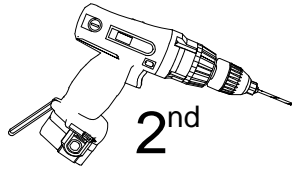


Step 24

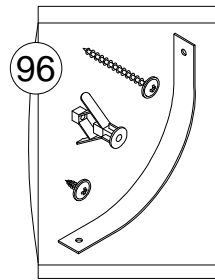
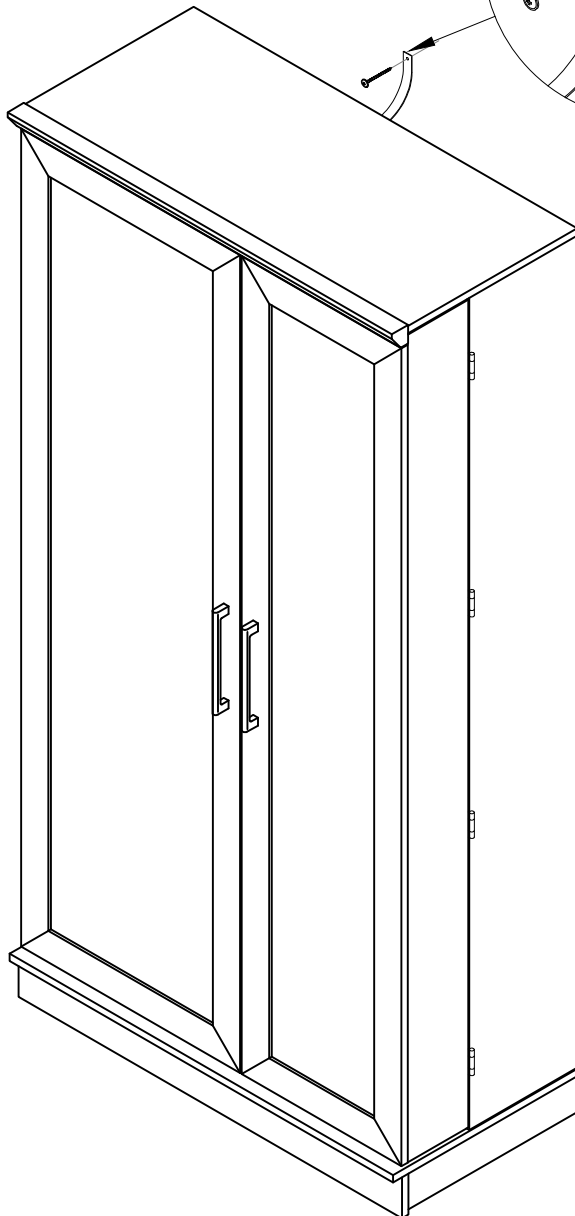
LARGE DOOR OF LEFT



Electric drill with 1/8" bit

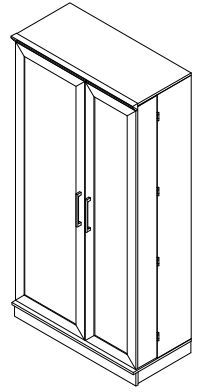


Mark and drill a 1/8" hole into the wall.

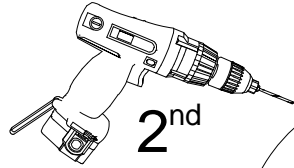


Step 25

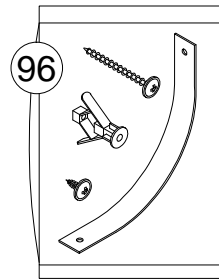
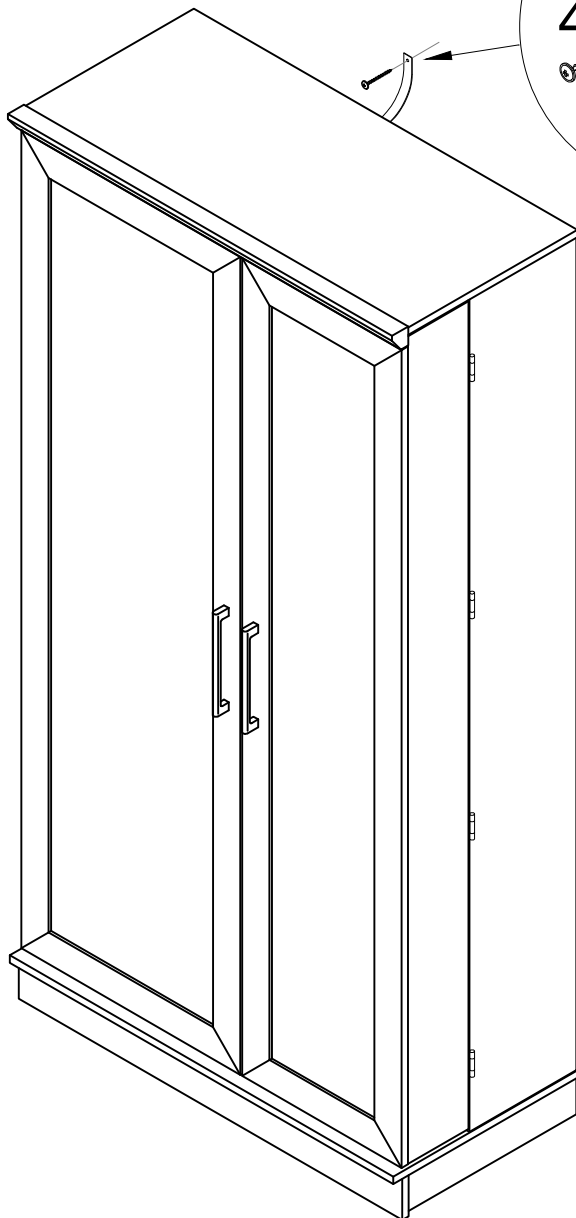
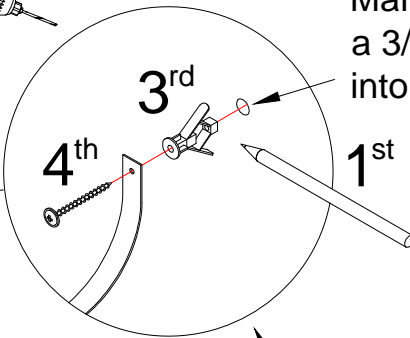
LARGE DOOR OF LEFT



Electric drill with 3/8" bit

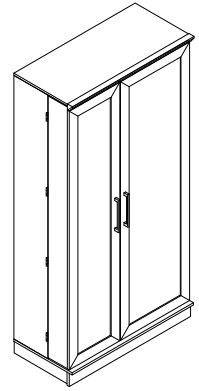


Mark and drill a 3/8" hole into the wall.

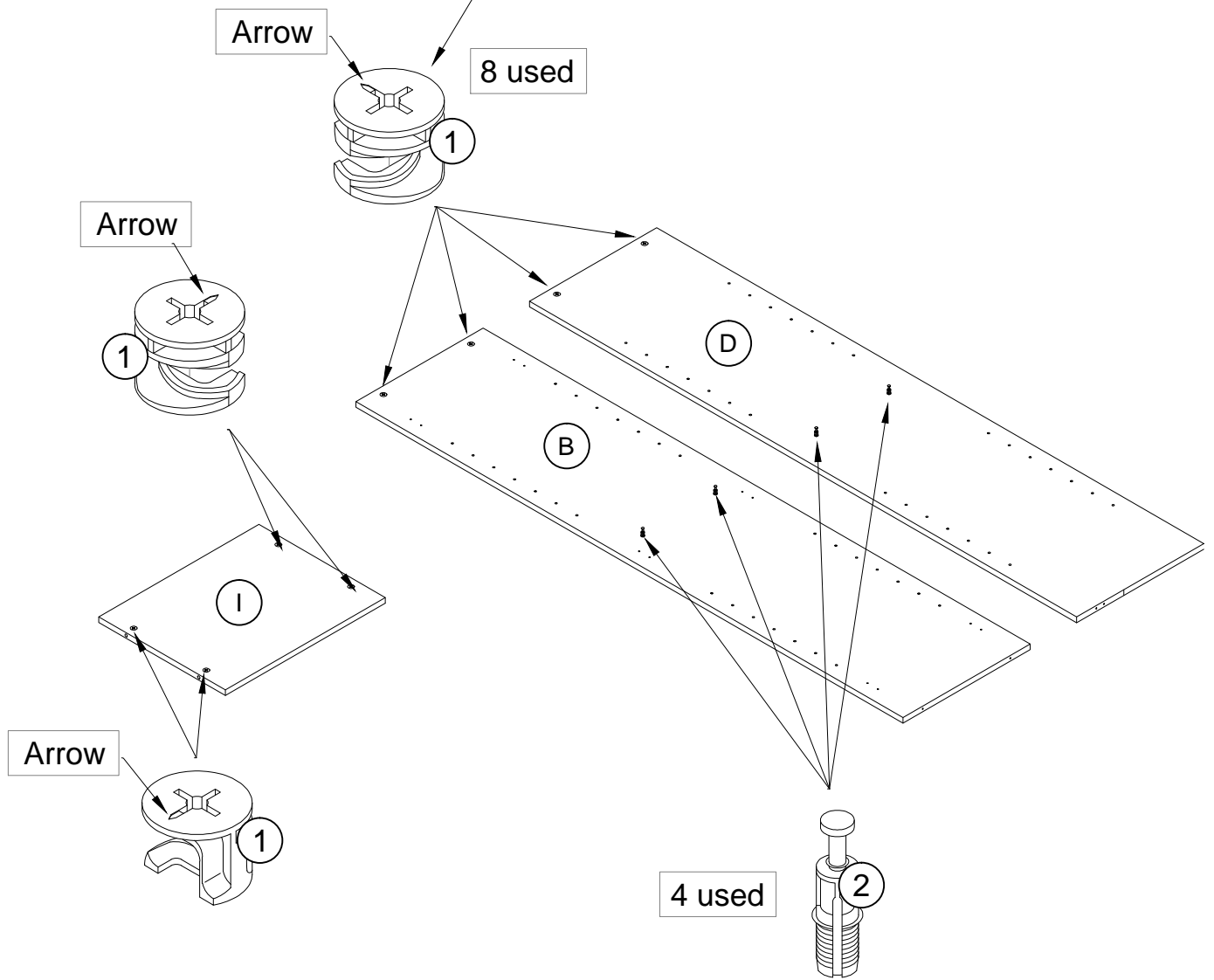


Step 26

LARGE DOOR OF RIGHT

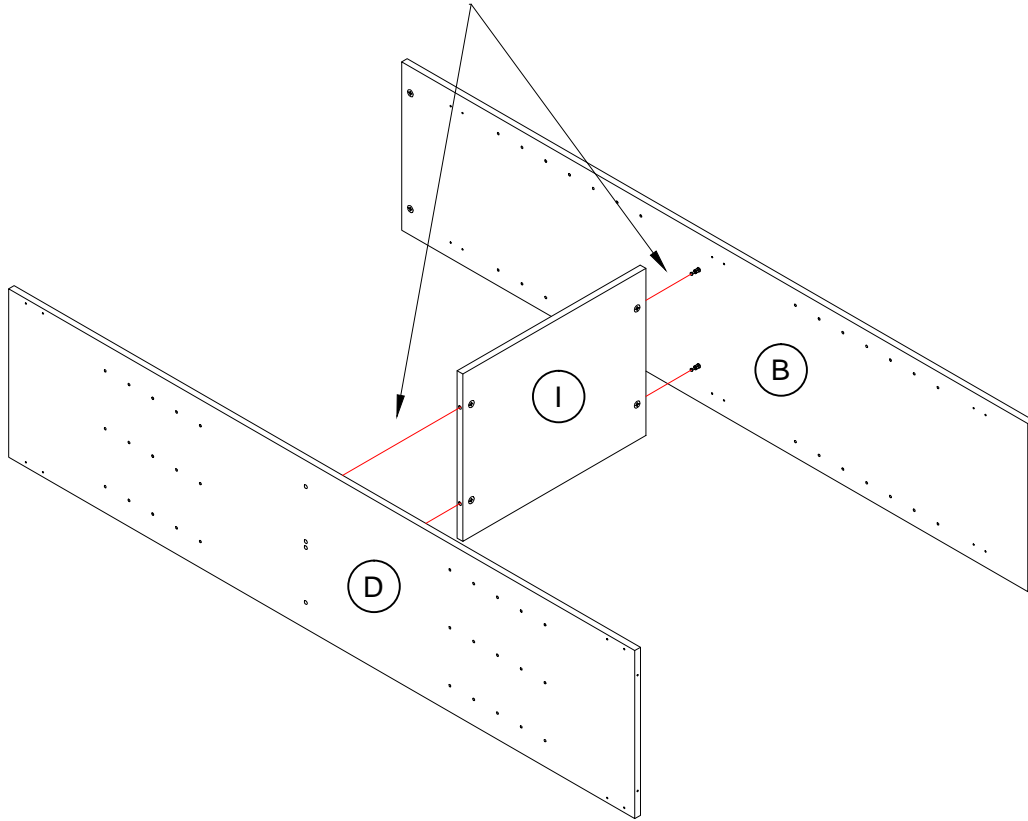
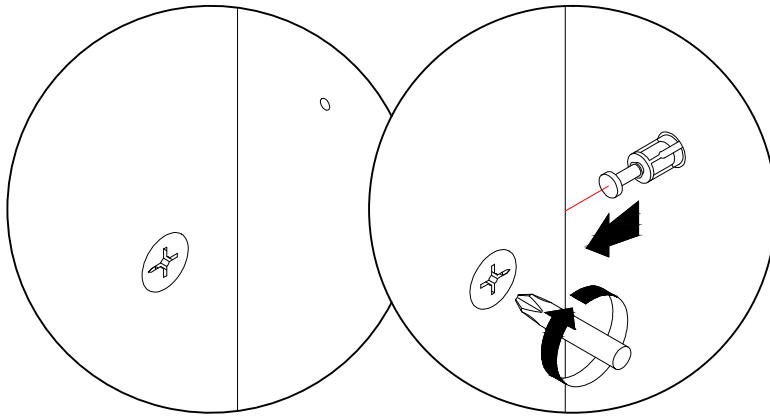
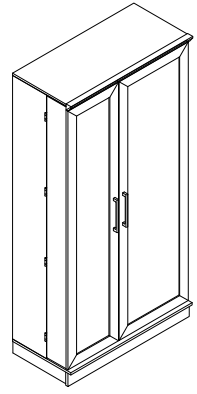


The arrow in the HIDDEN CAM must point toward the hole in the edge of the board.



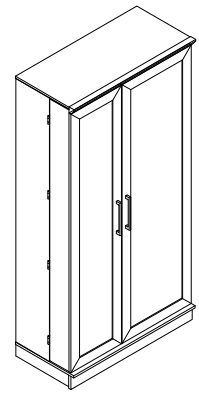
Step 27

LARGE DOOR OF RIGHT

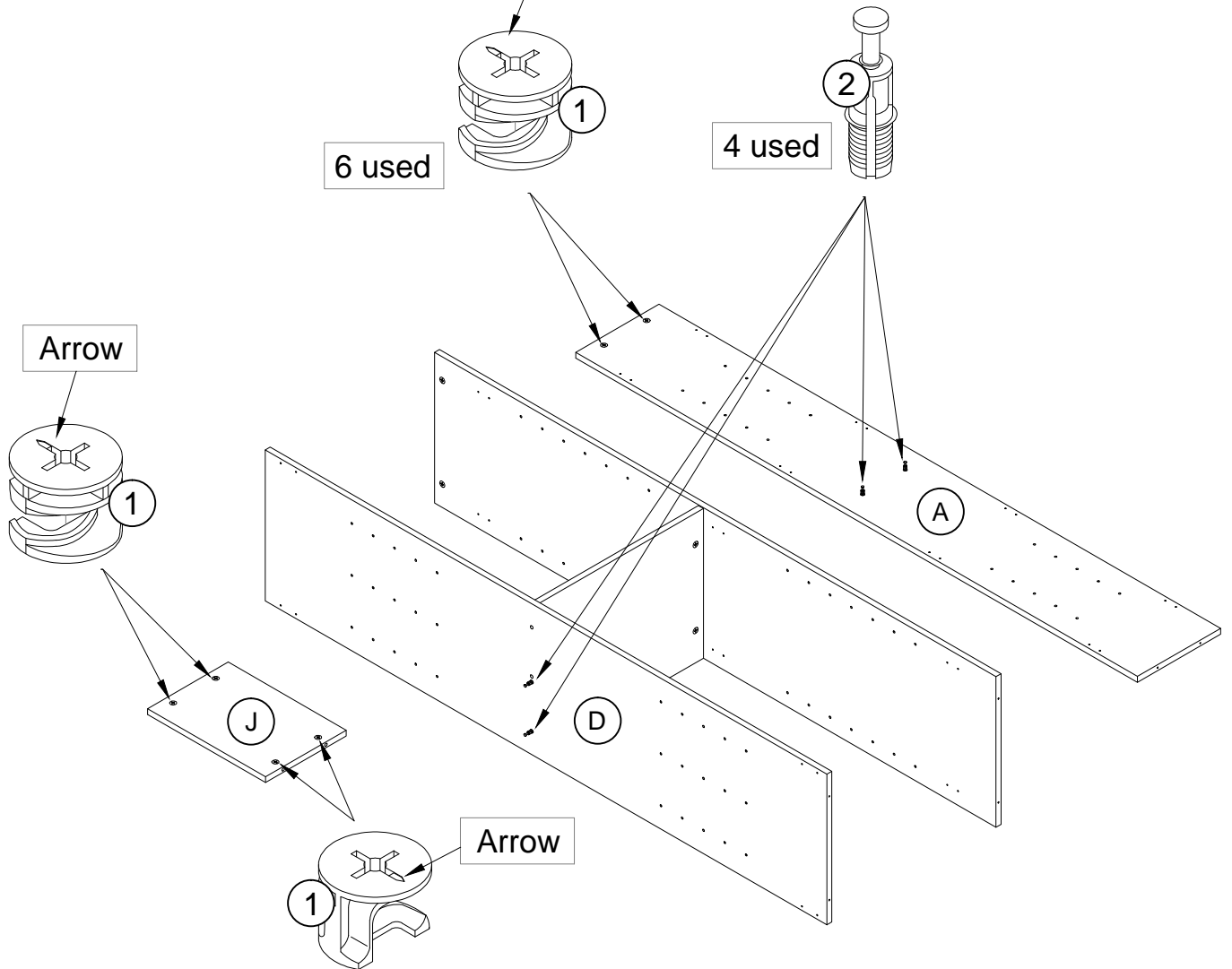


Step 28

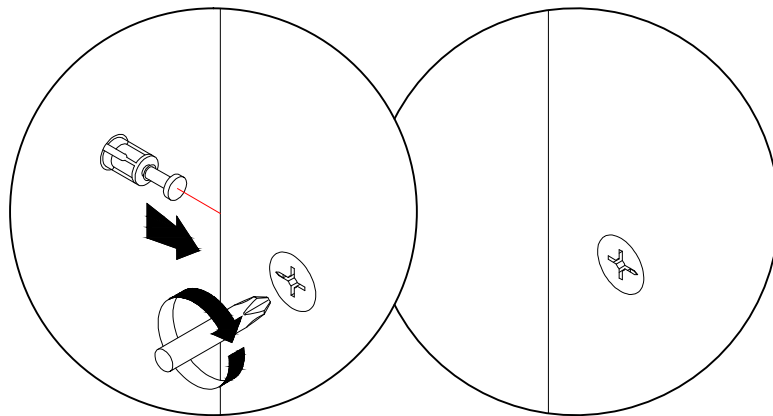
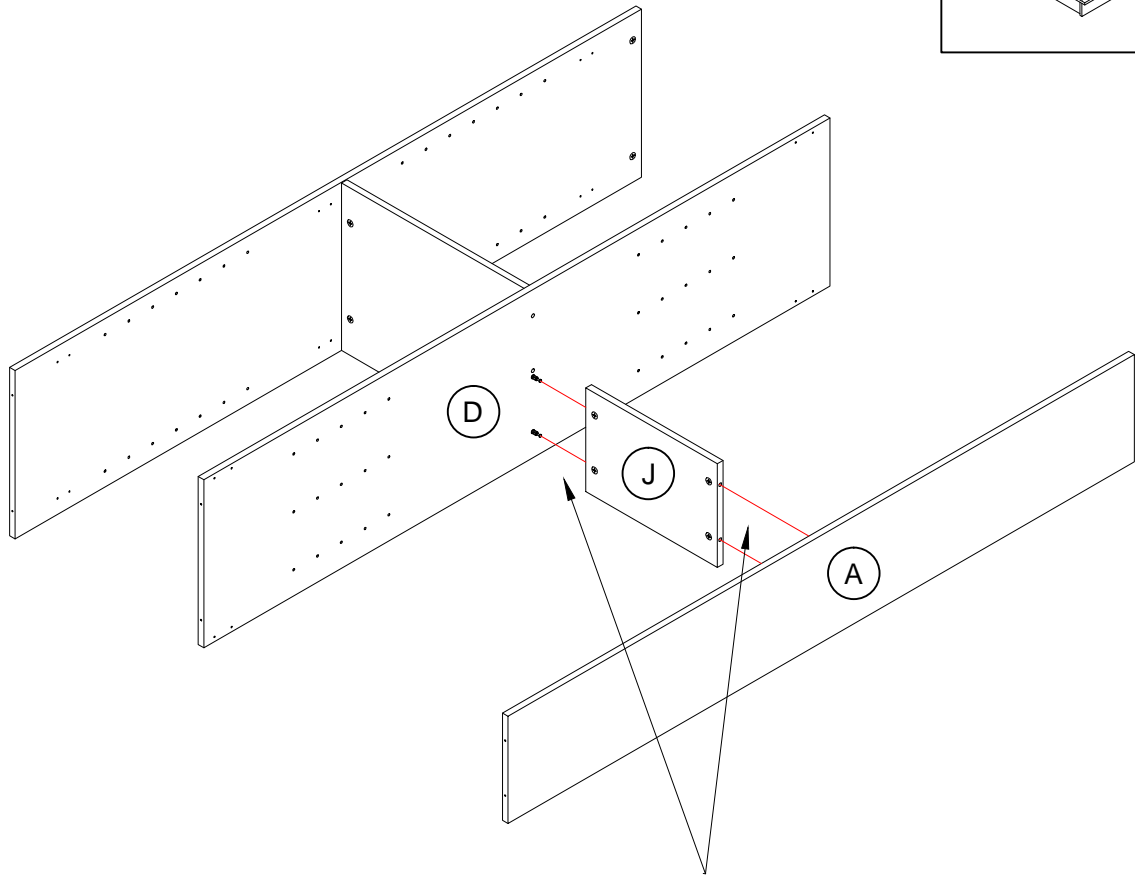
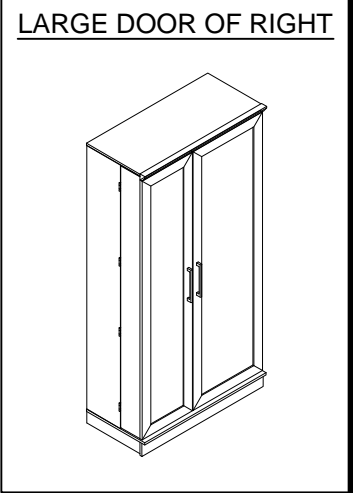
LARGE DOOR OF RIGHT



The arrow in the HIDDEN CAM must point toward the hole in the edge of the board.

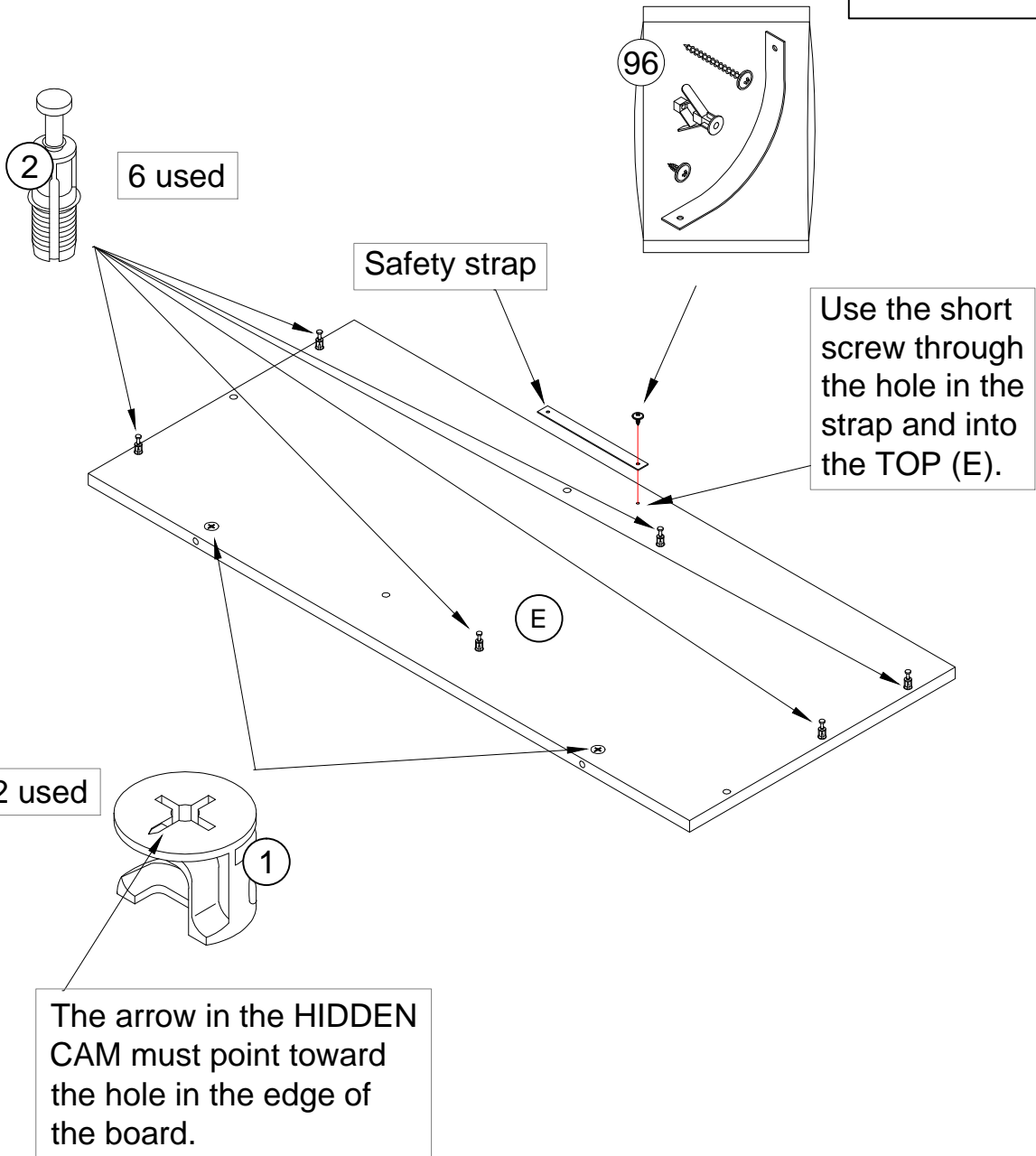
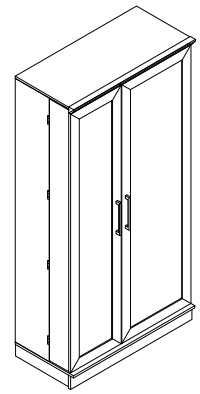


Step 29



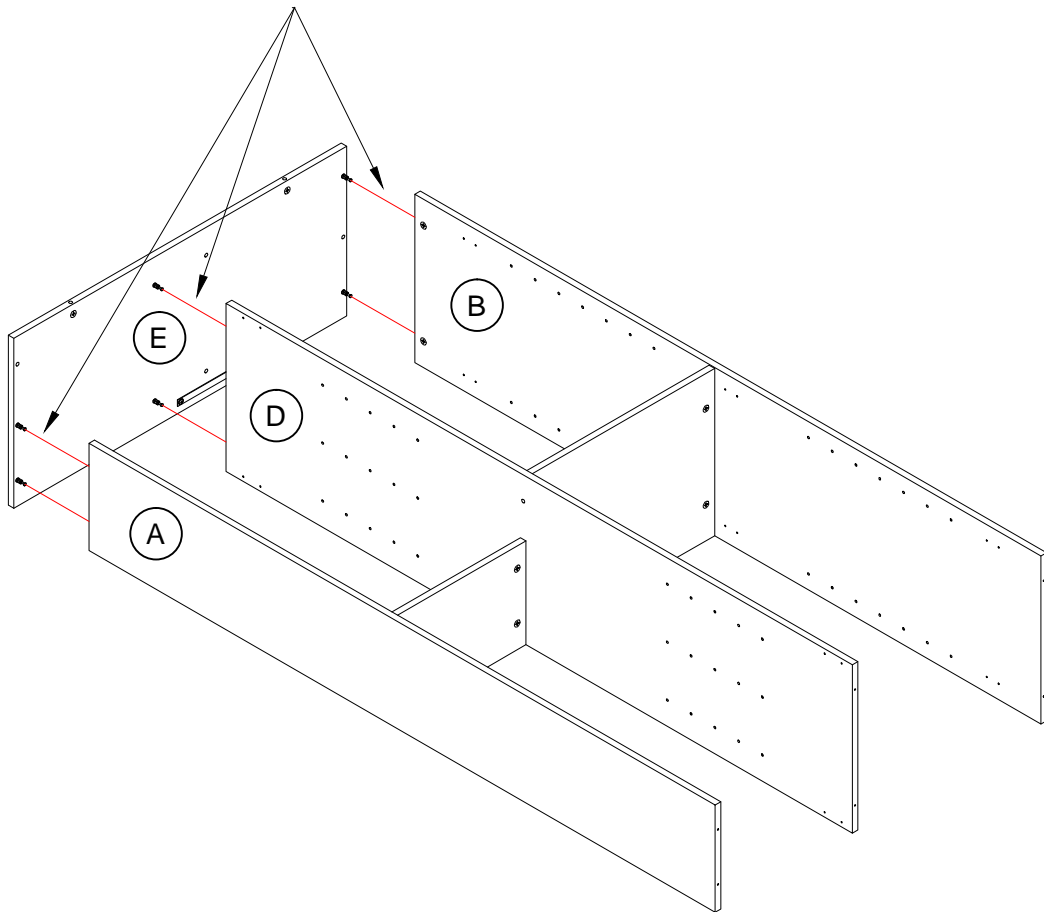
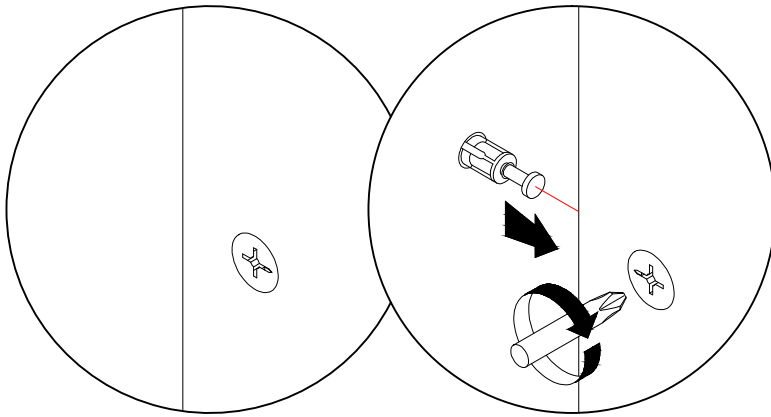
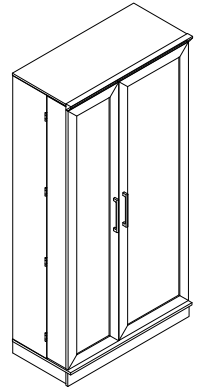
Step 30

LARGE DOOR OF RIGHT



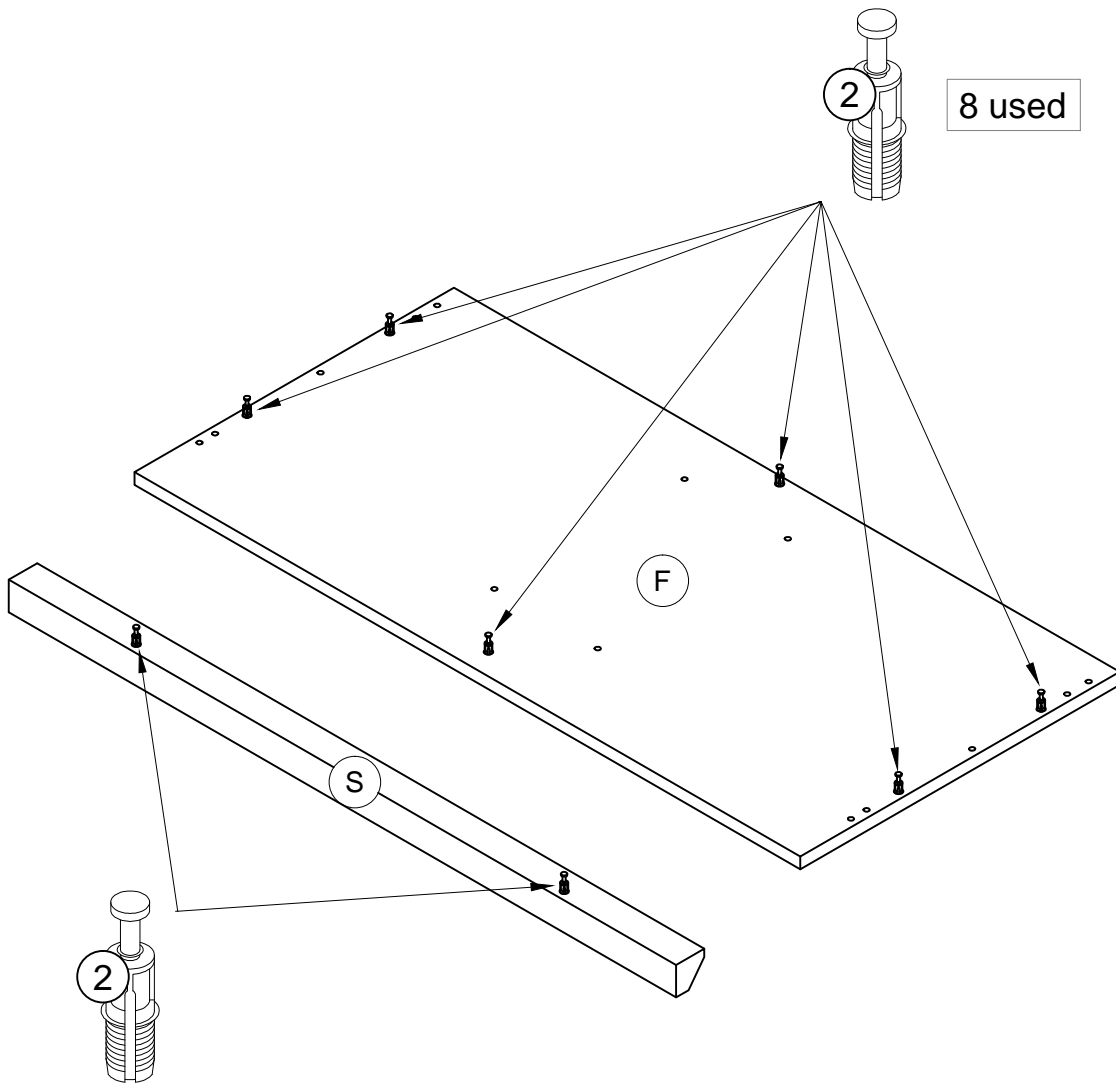
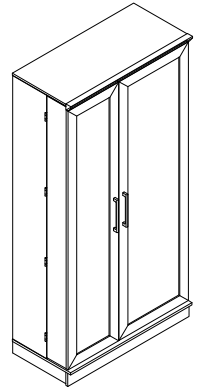
Step 31

LARGE DOOR OF RIGHT



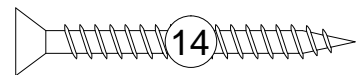
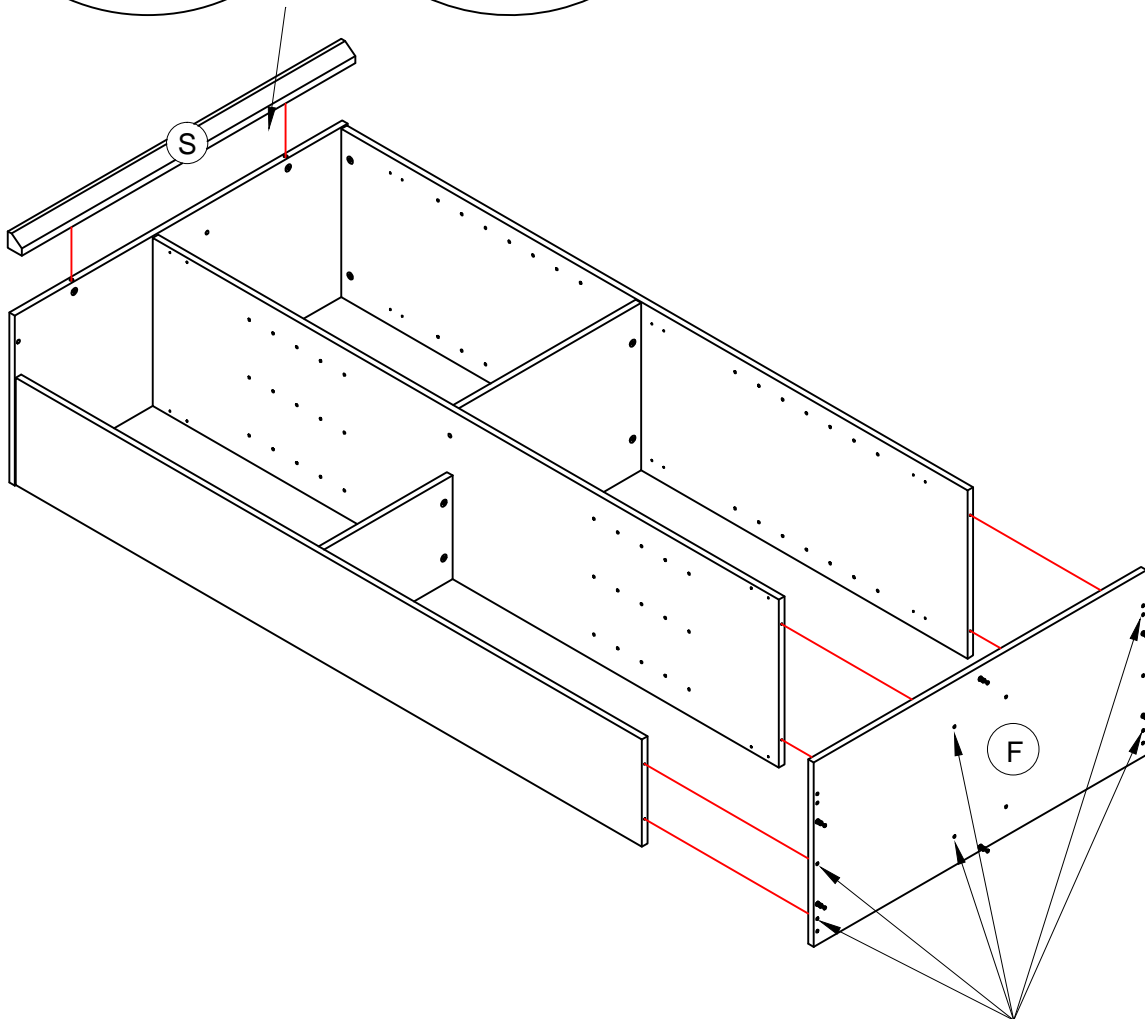
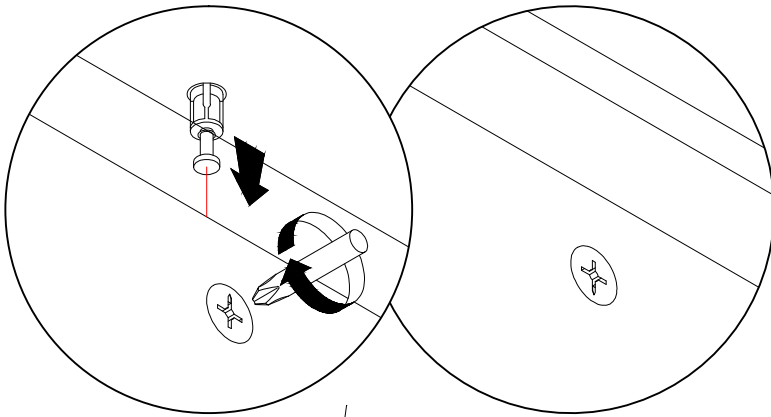
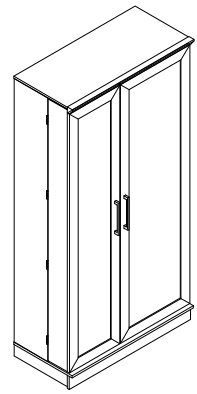
Step 32

LARGE DOOR OF RIGHT



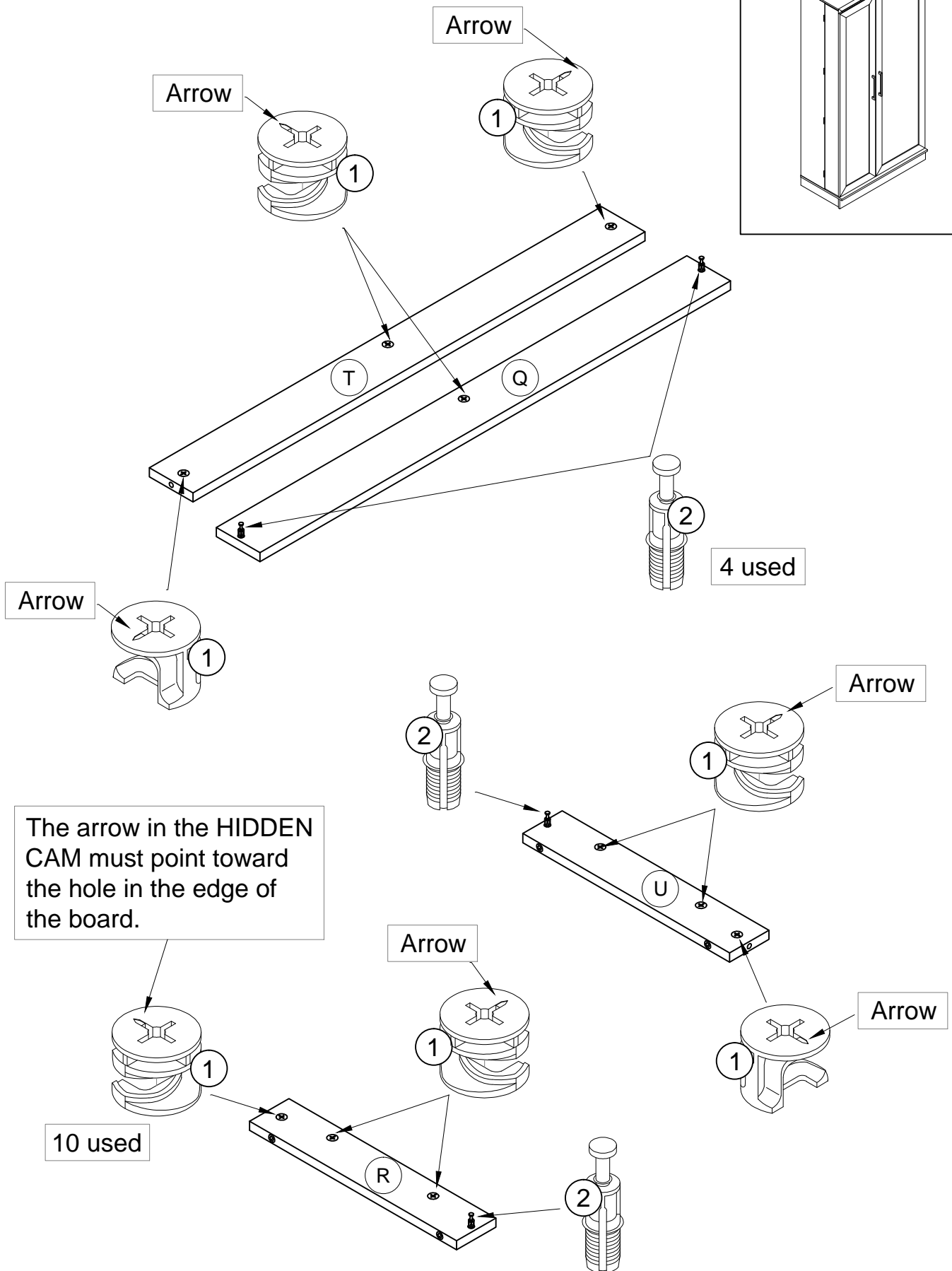
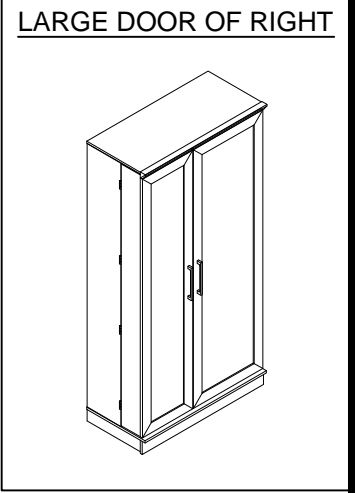
Step 33

LARGE DOOR OF RIGHT



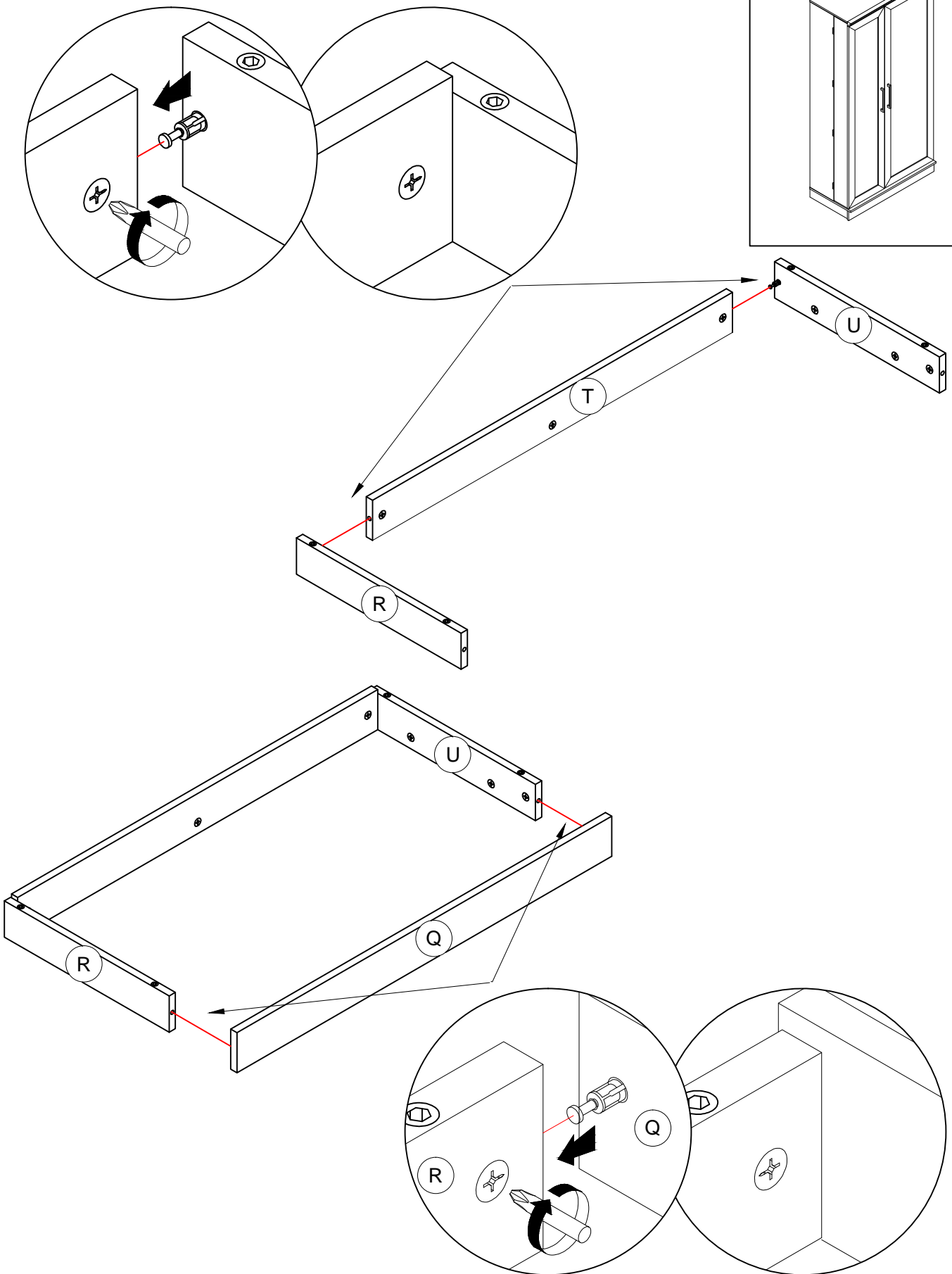
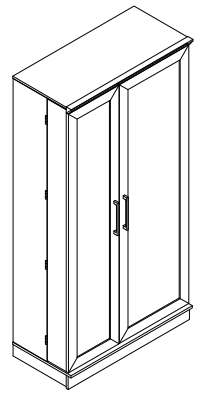
1-3/4" FLAT HEAD SCREW
(6 used in this step)

Step 34

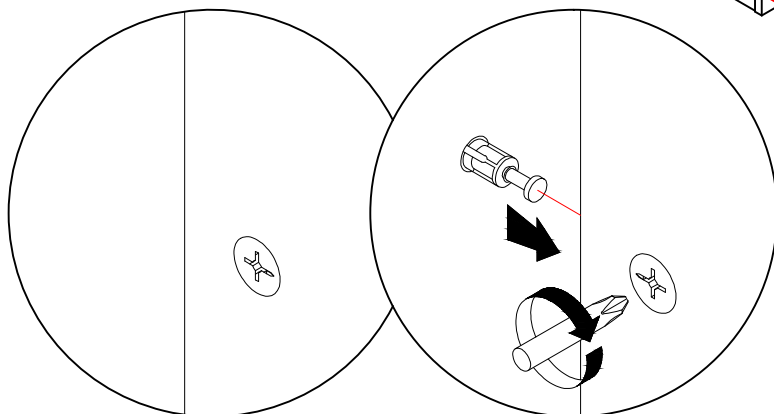
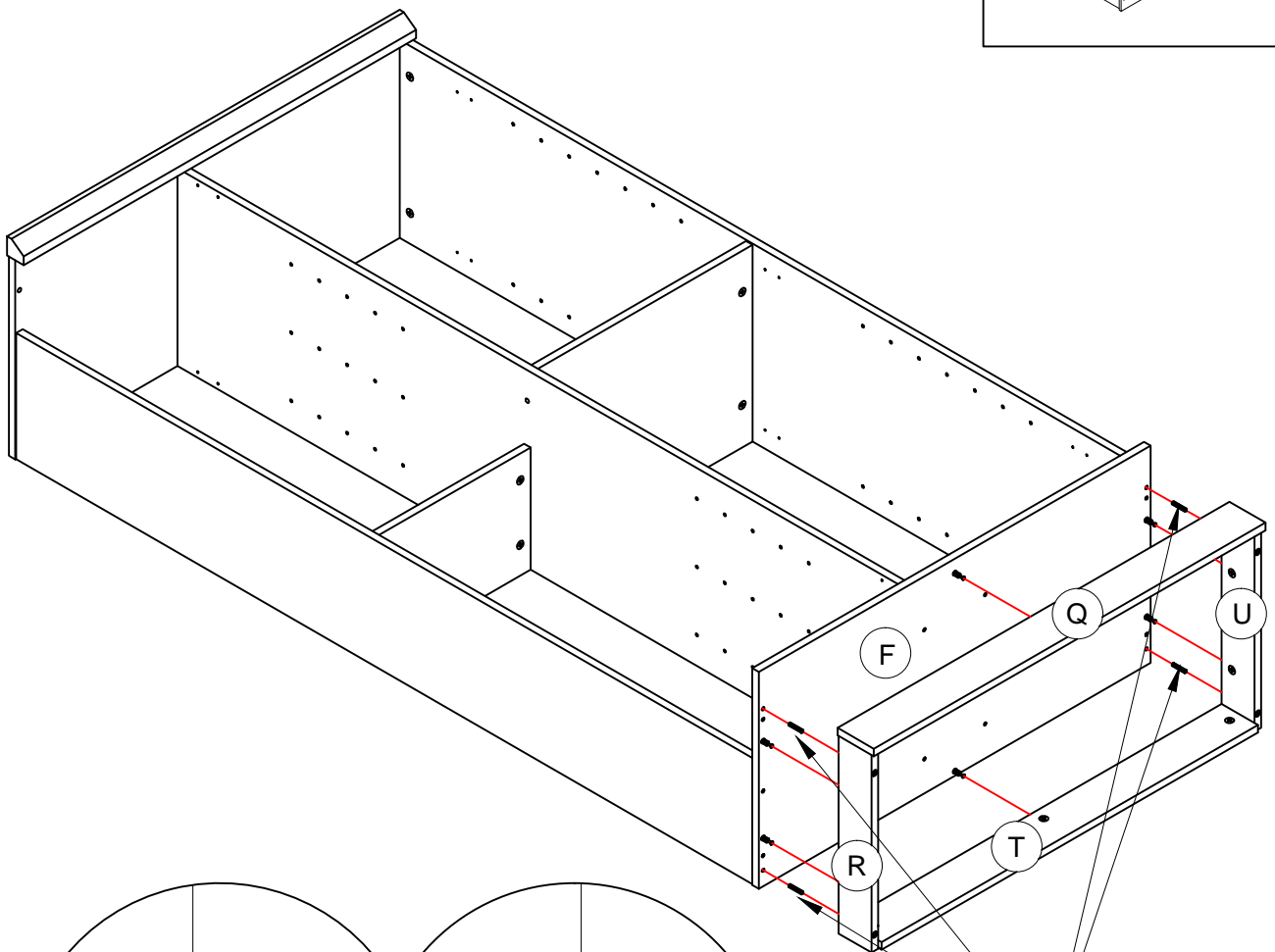
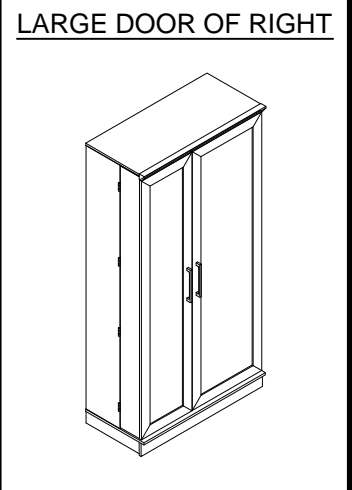


Step 35

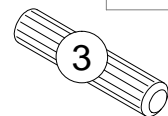
LARGE DOOR OF RIGHT



Step 36

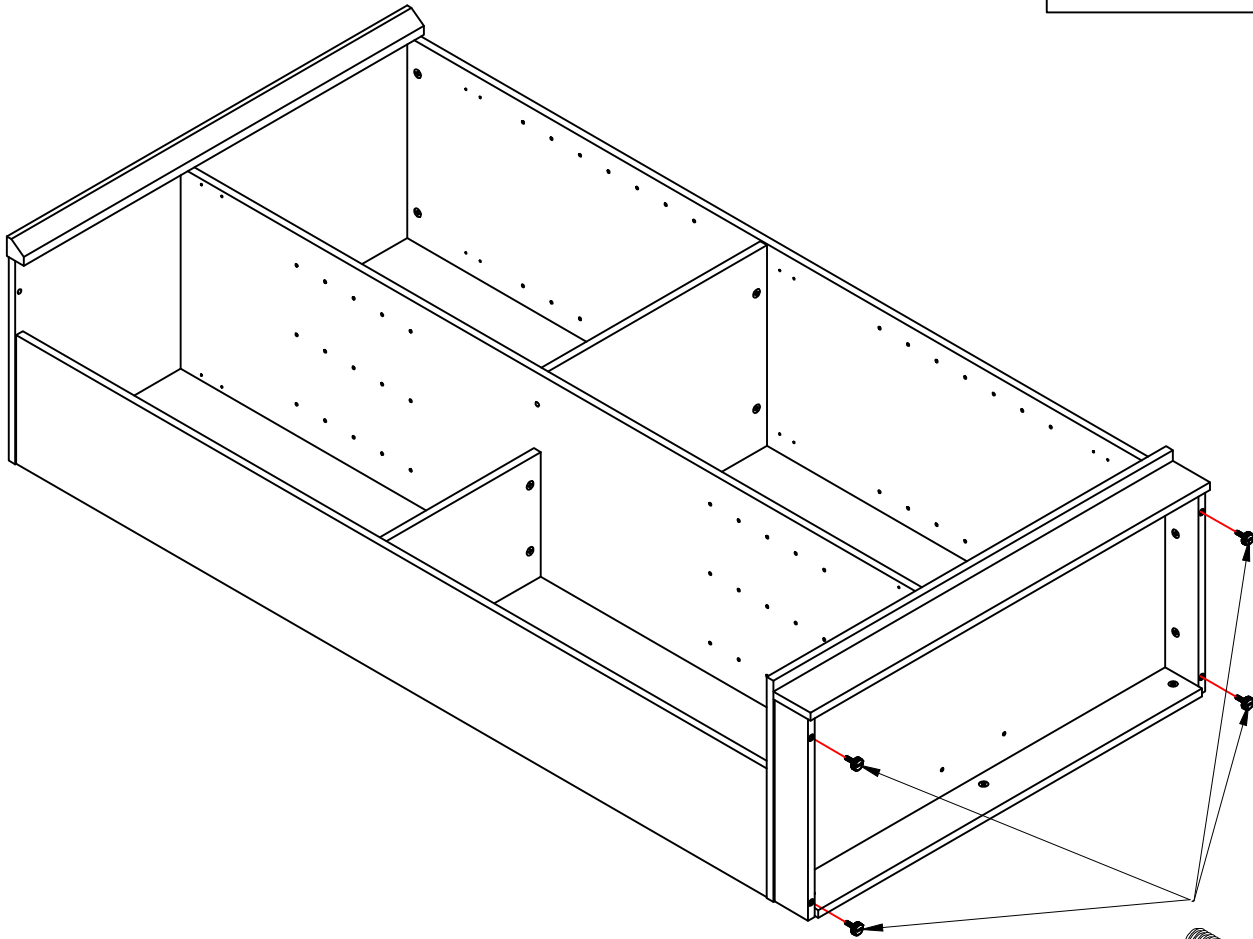
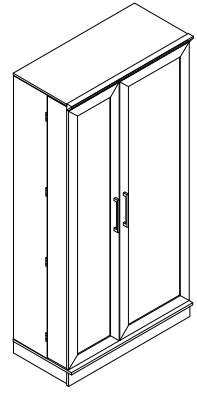


4 used

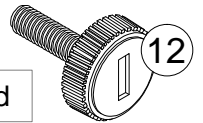


Step 37

LARGE DOOR OF RIGHT

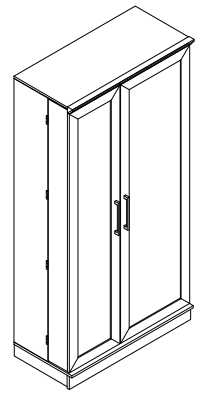



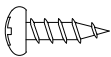
4 used



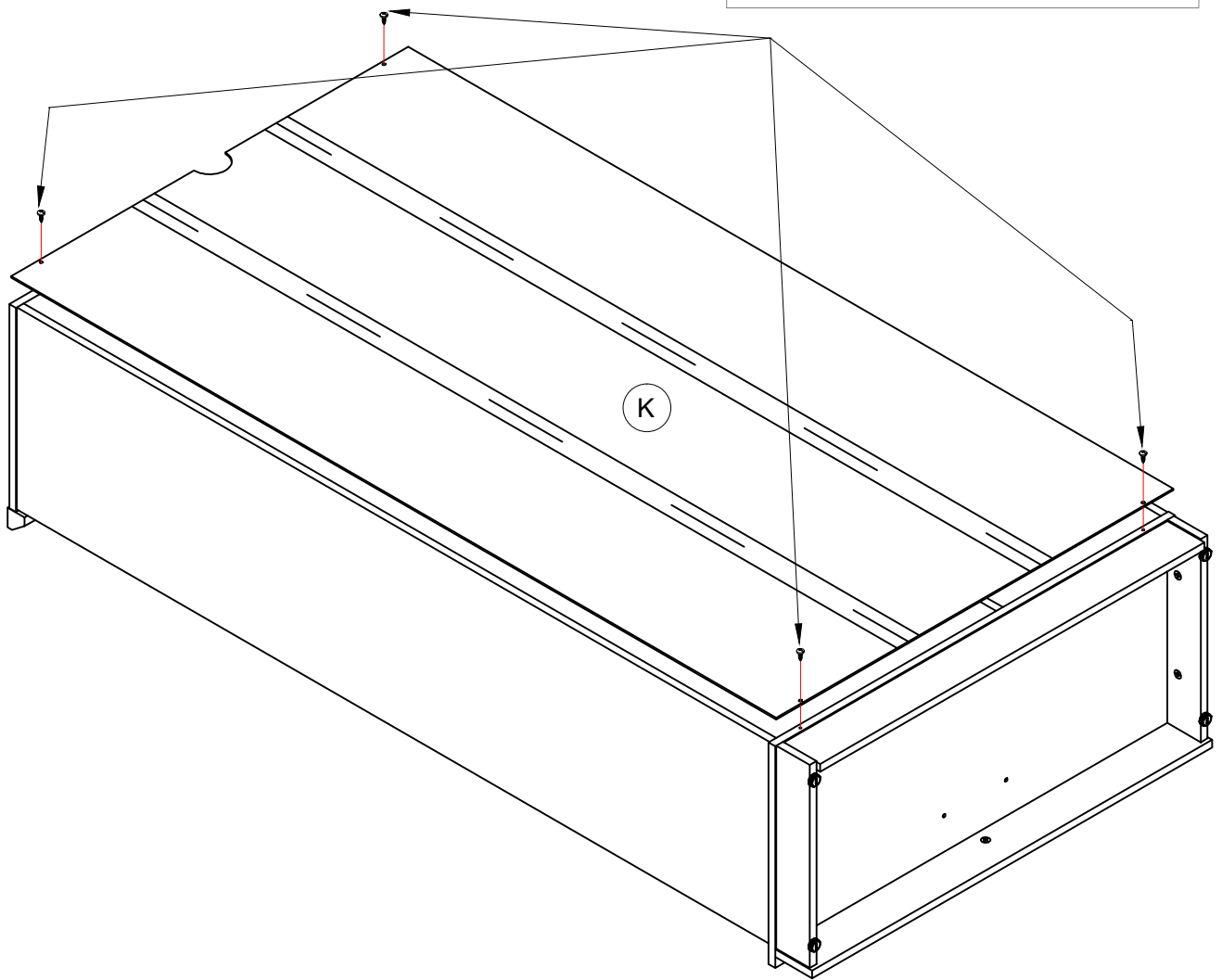
Step 38

LARGE DOOR OF RIGHT



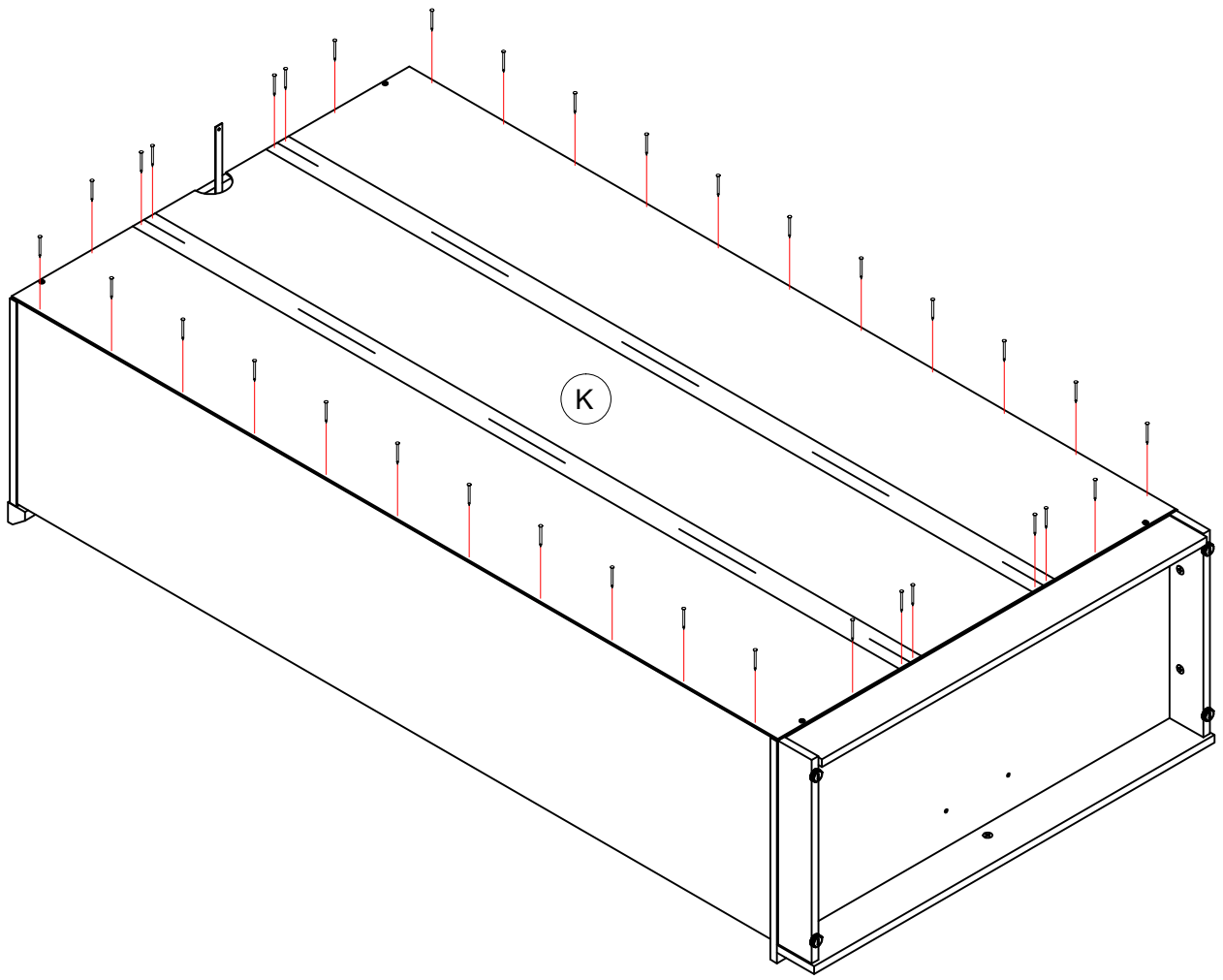
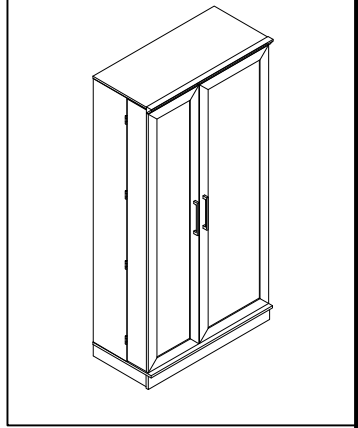
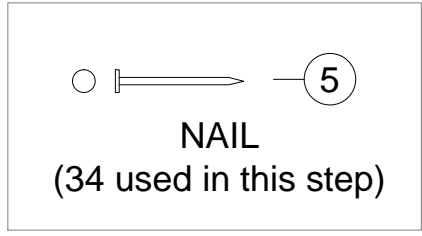
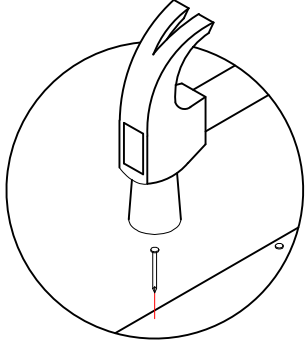
  — 17

1/2" PAN HEAD SCREW
(4 used in this step)



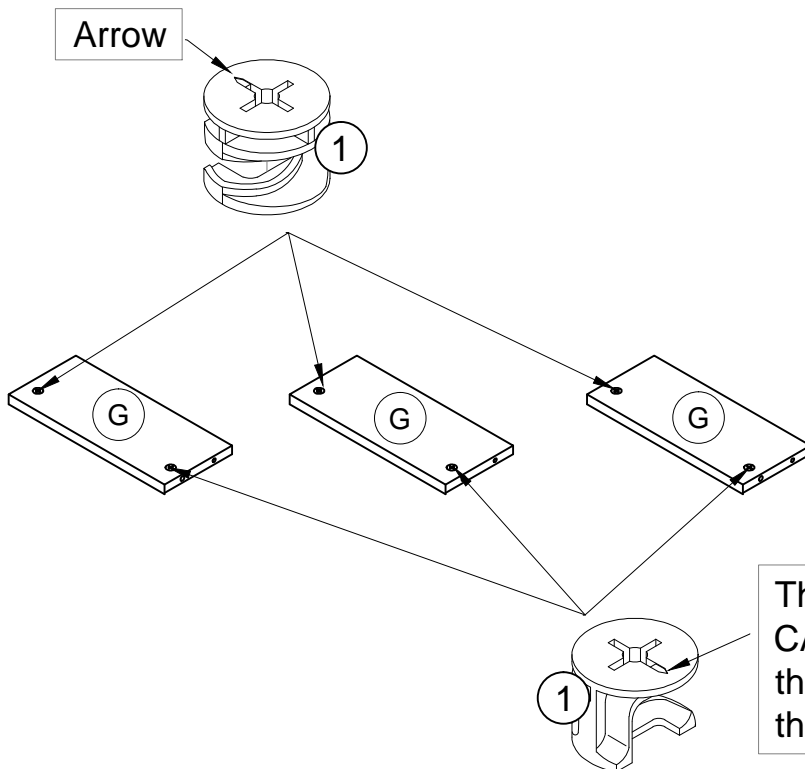
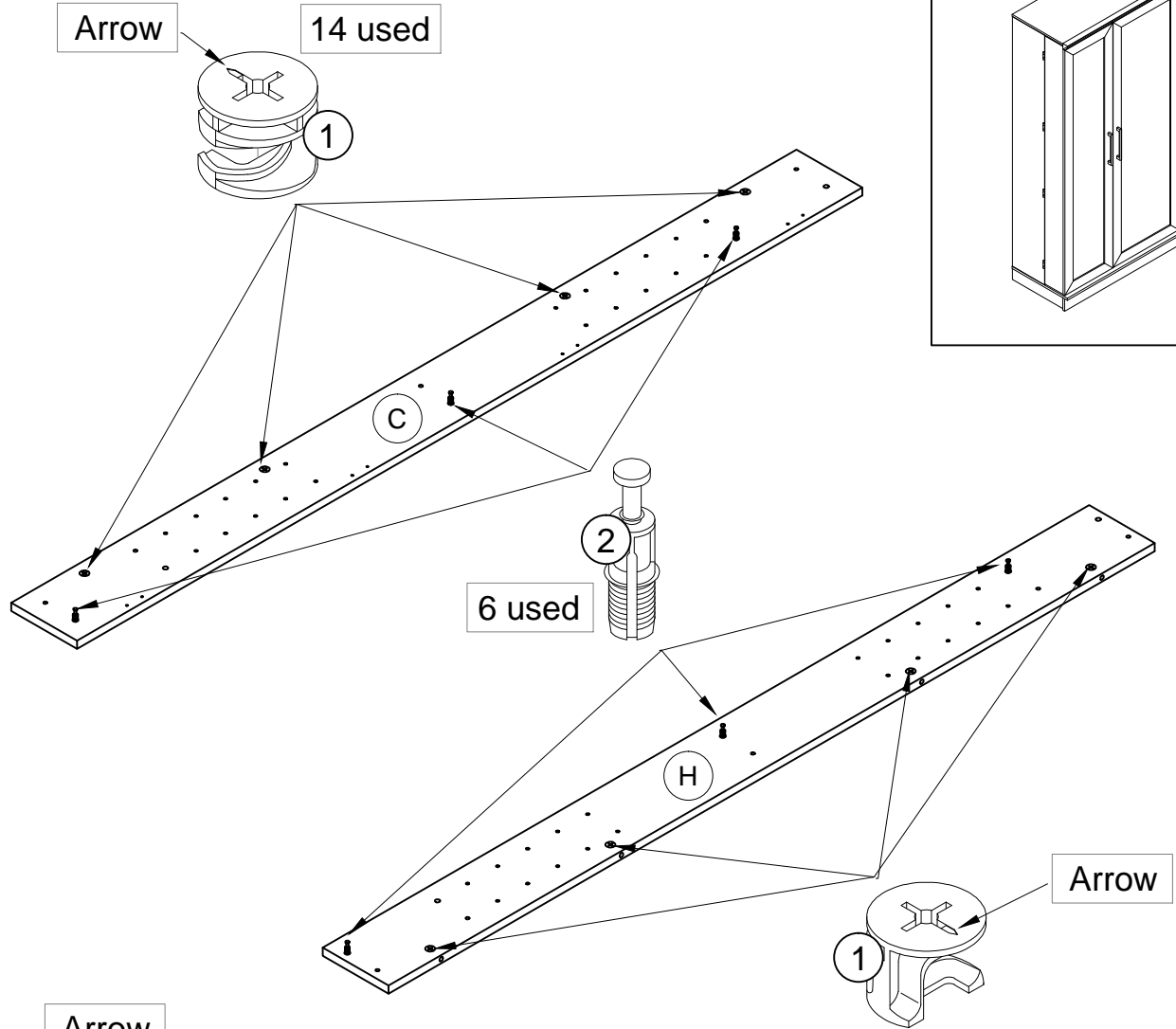
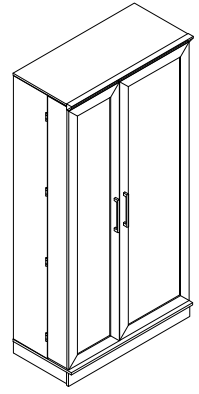
Step 39

LARGE DOOR OF RIGHT



Step 40

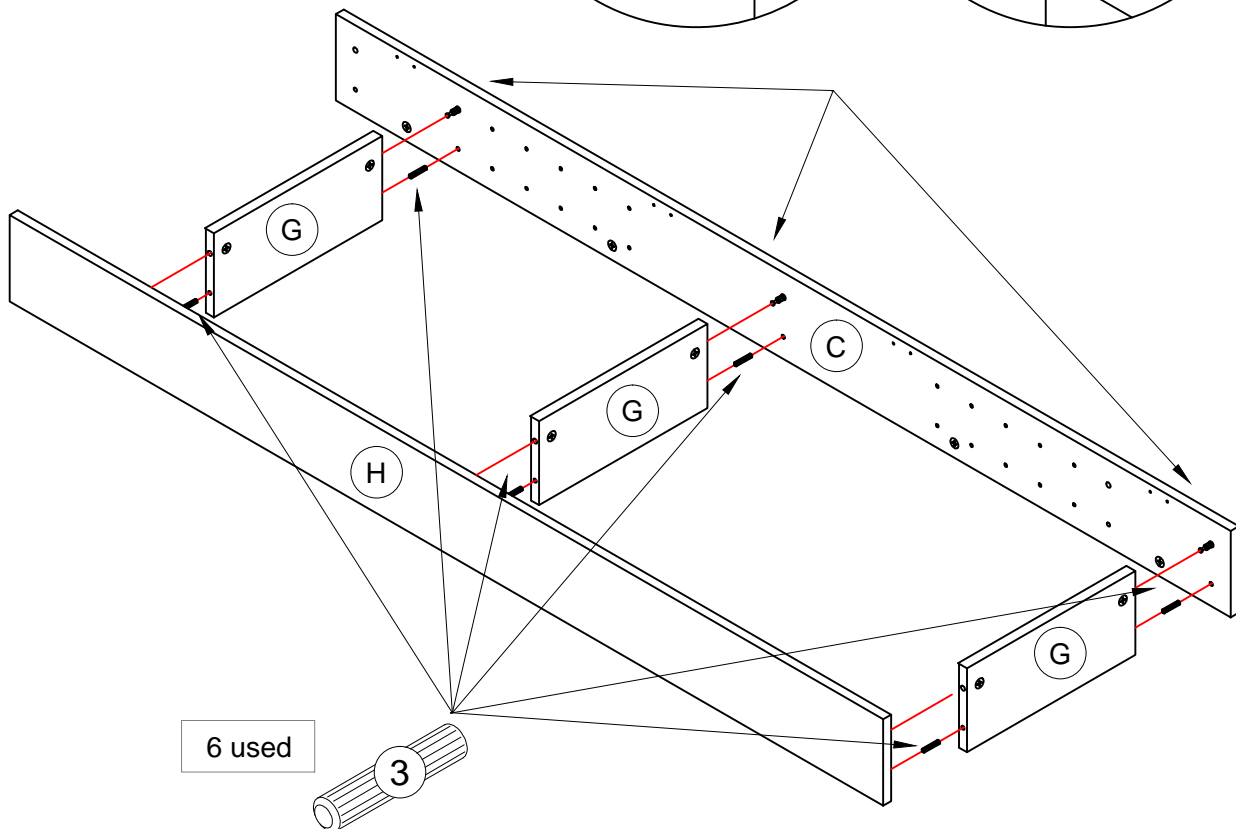
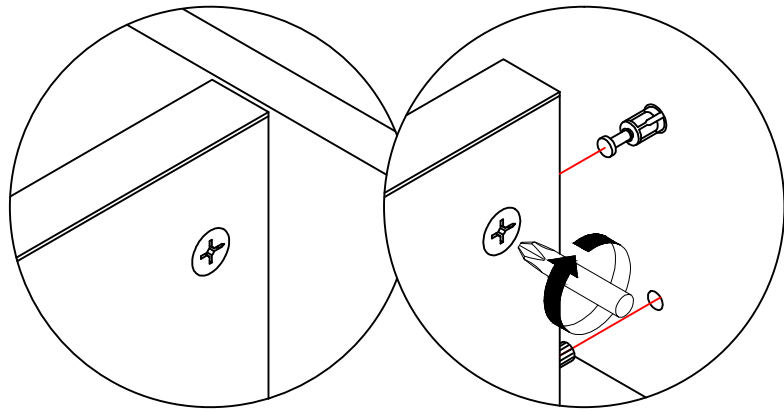
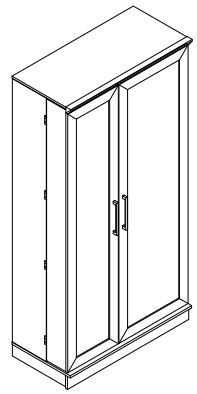
LARGE DOOR OF RIGHT



The arrow in the HIDDEN CAM must point toward the hole in the edge of the board.

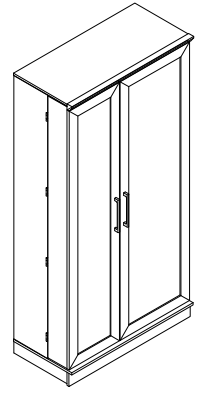
Step 41

LARGE DOOR OF RIGHT

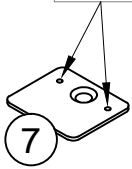


Step 42

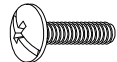
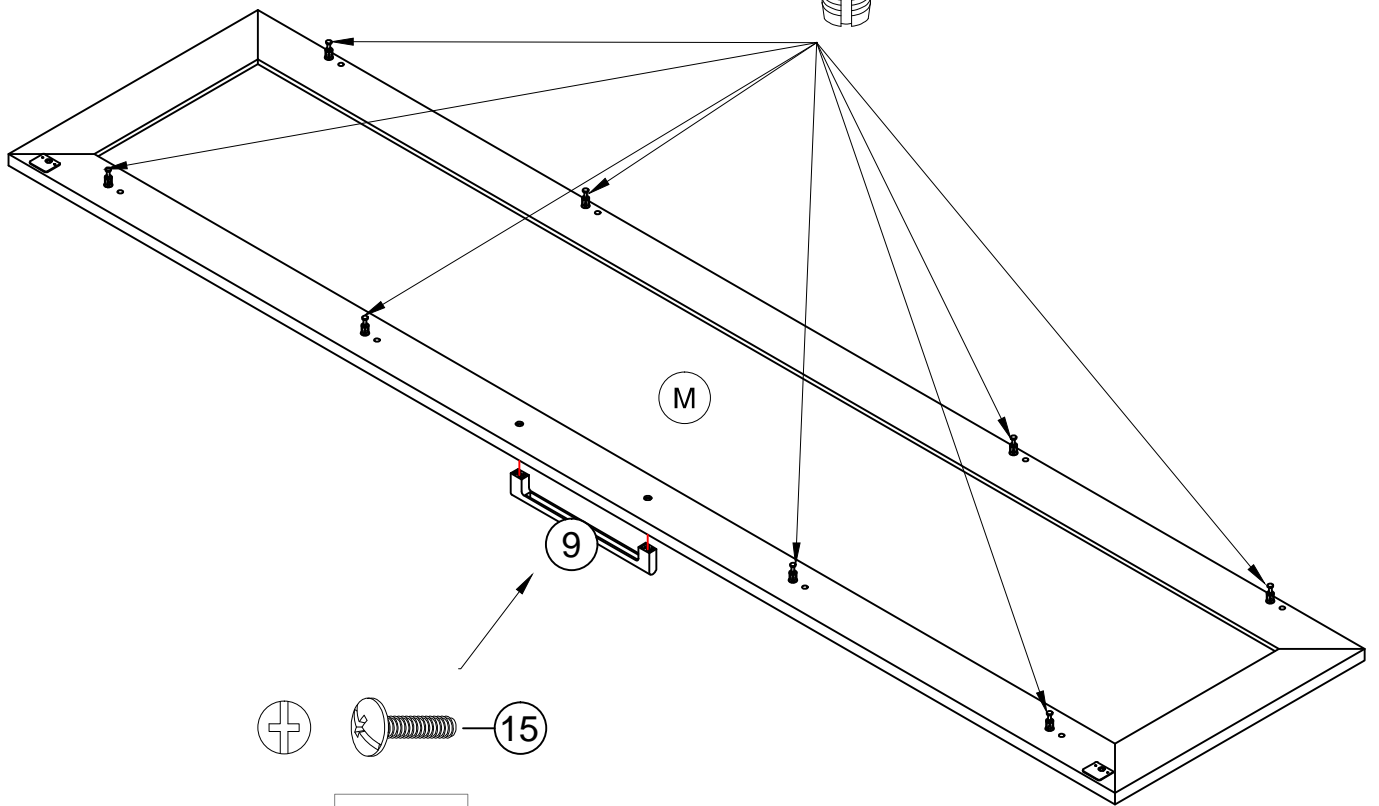
LARGE DOOR OF RIGHT



Intended holes



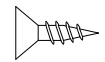
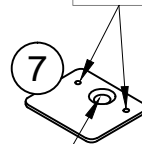
8 used



15

2 used

Intended holes

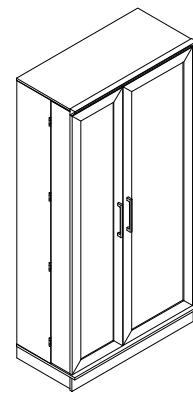



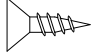
16

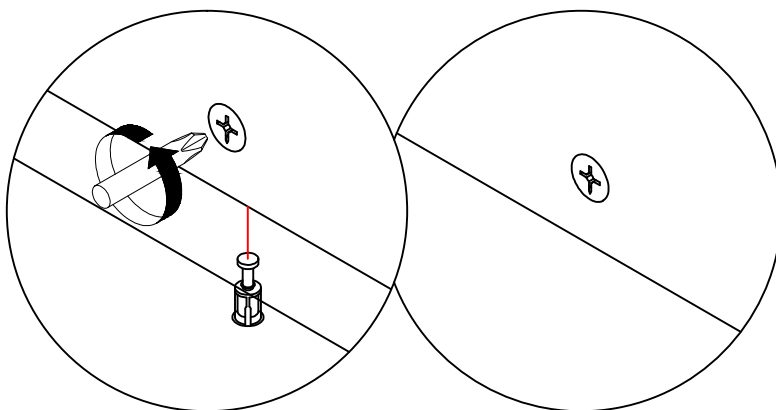
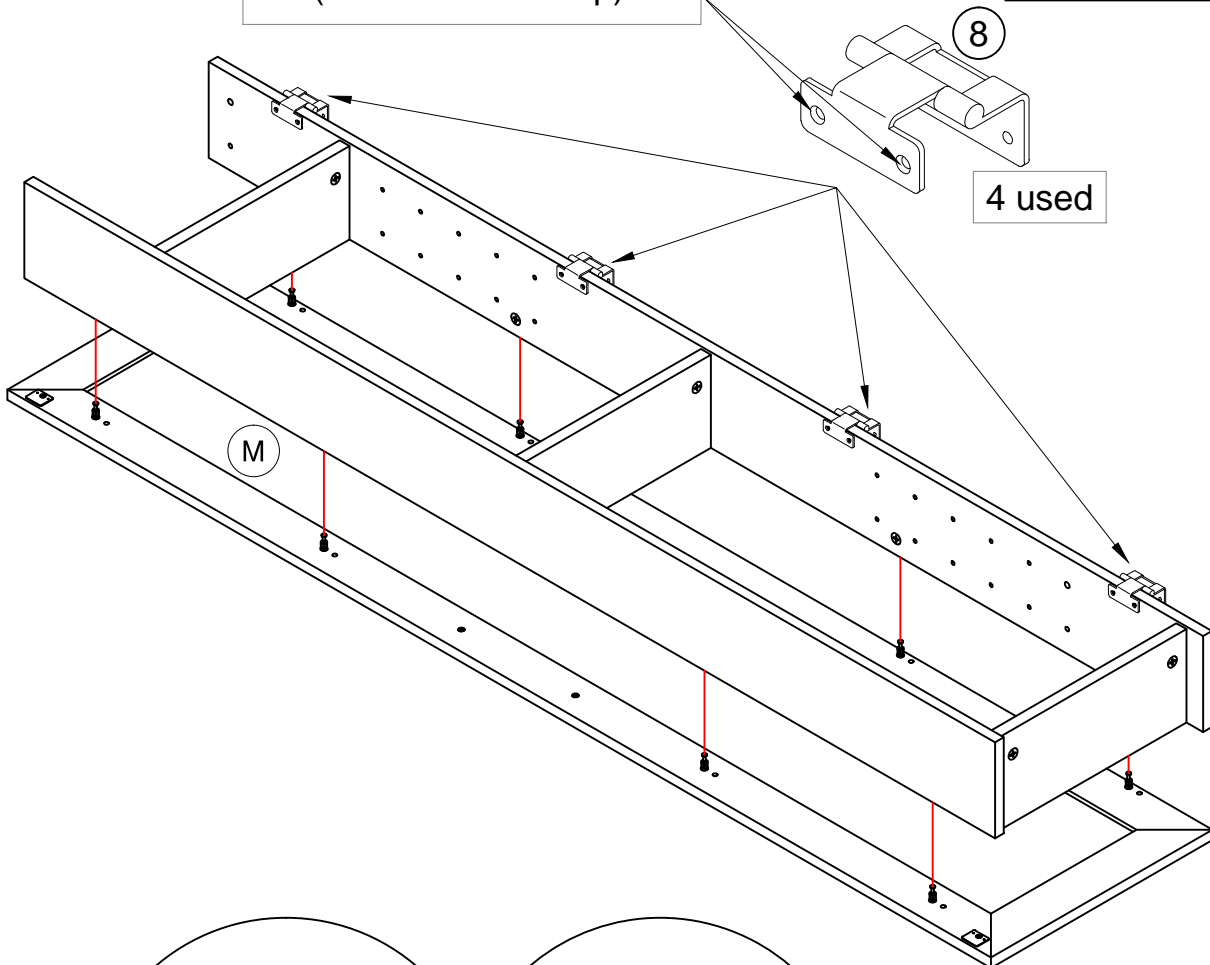
1/2" FLAT HEAD SCREW
(2 used in this step)

Step 43

LARGE DOOR OF RIGHT

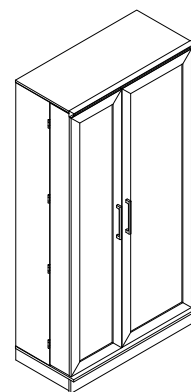



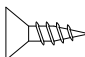
  — 16
1/2" FLAT HEAD SCREW
(8 used in this step)

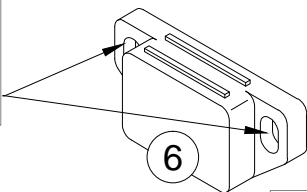


Step 44

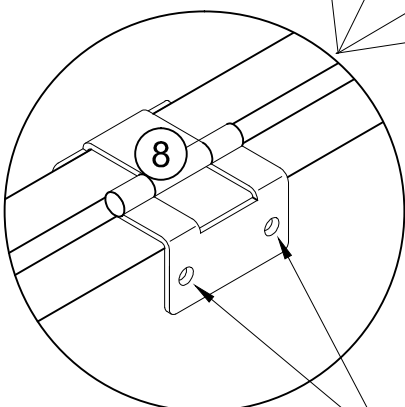
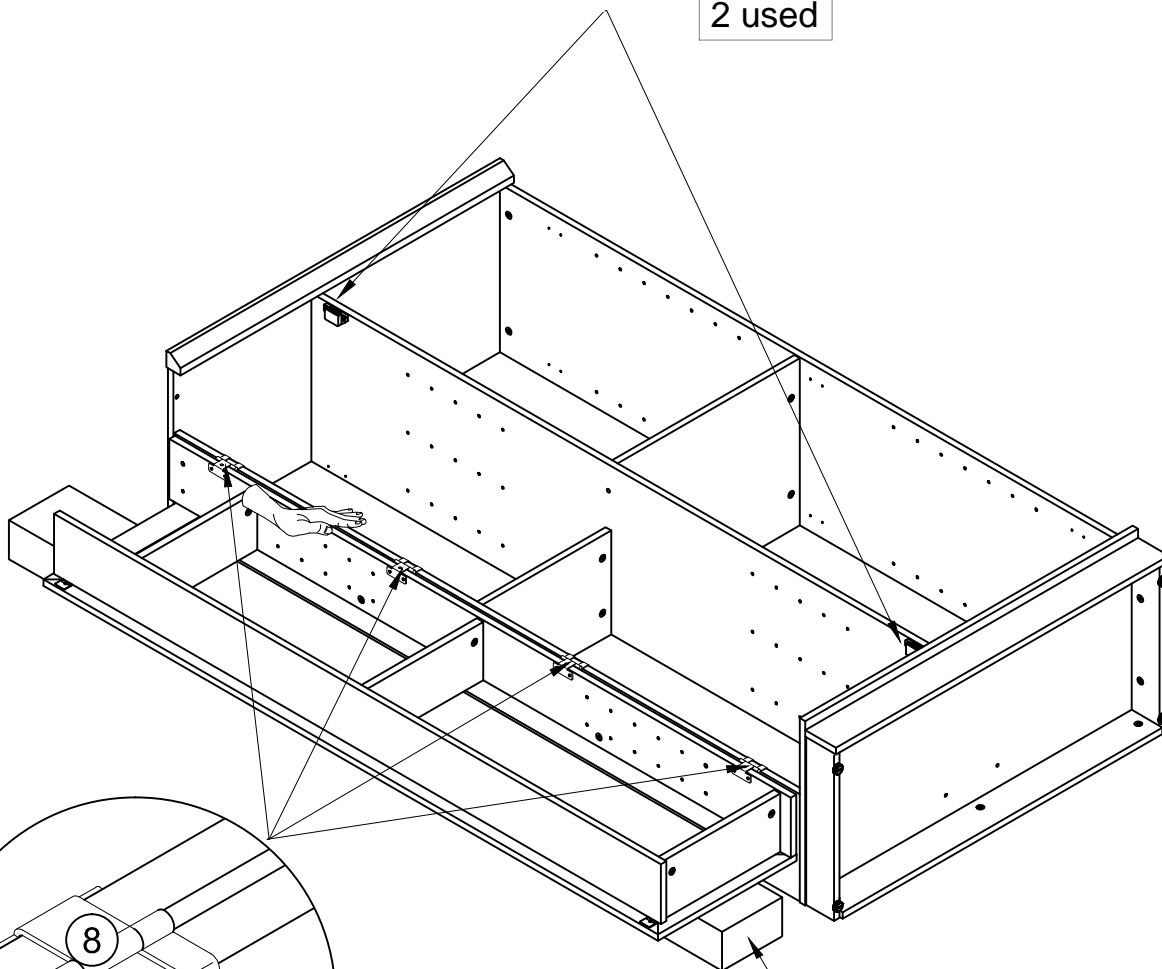
LARGE DOOR OF RIGHT



  — 16
1/2" FLAT HEAD SCREW
(12 used in this step)



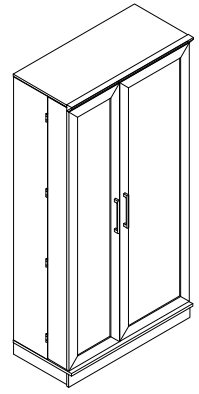
2 used



  — 16
1/2" FLAT HEAD SCREW

Step 45

LARGE DOOR OF RIGHT

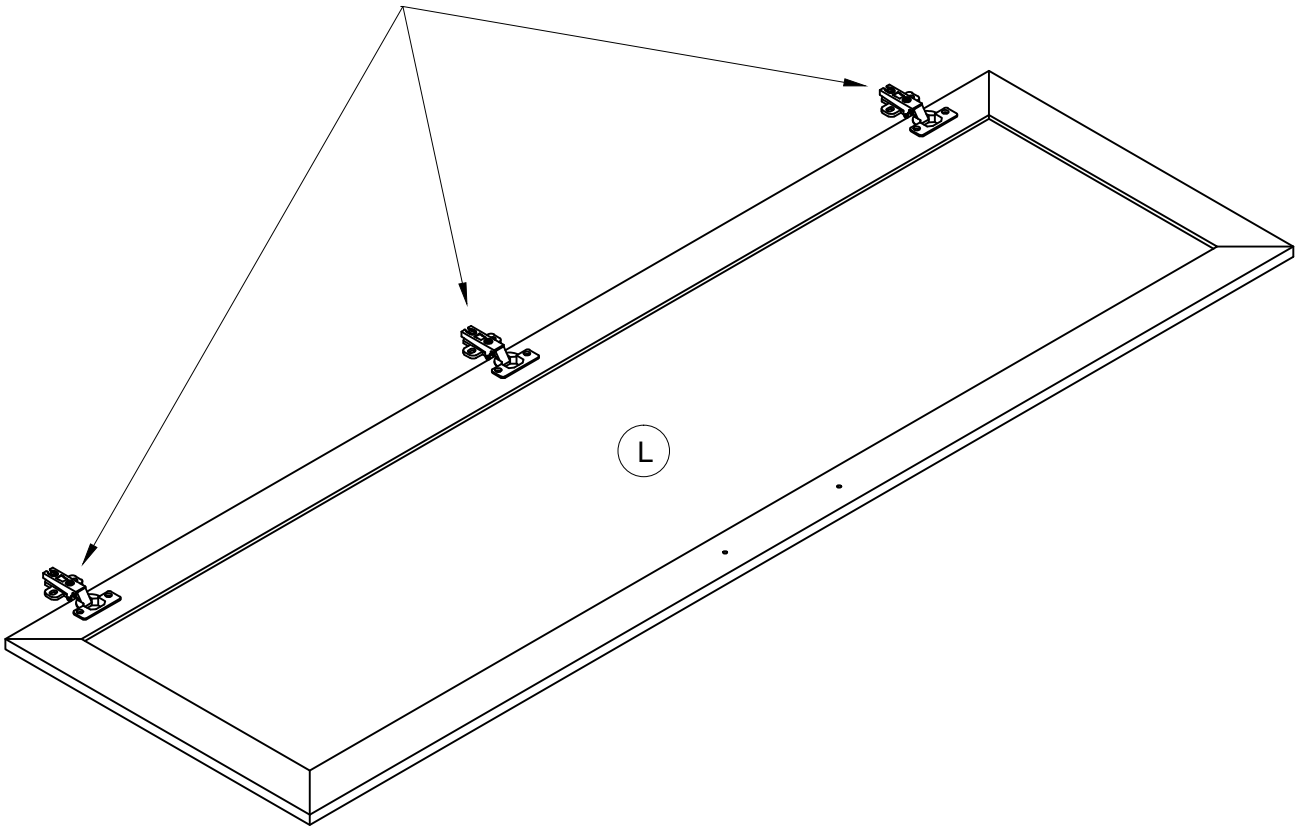
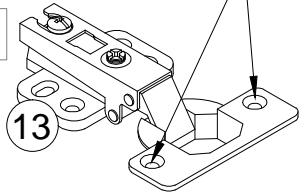


16

1/2" FLAT HEAD SCREW
6 used in this step)

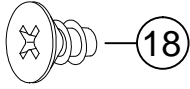
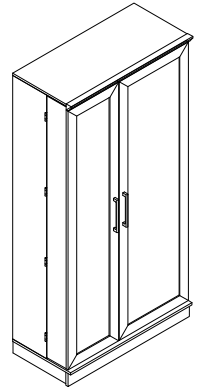
3 used

13

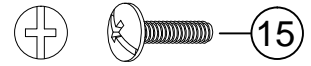
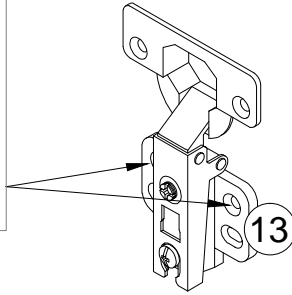


Step 46

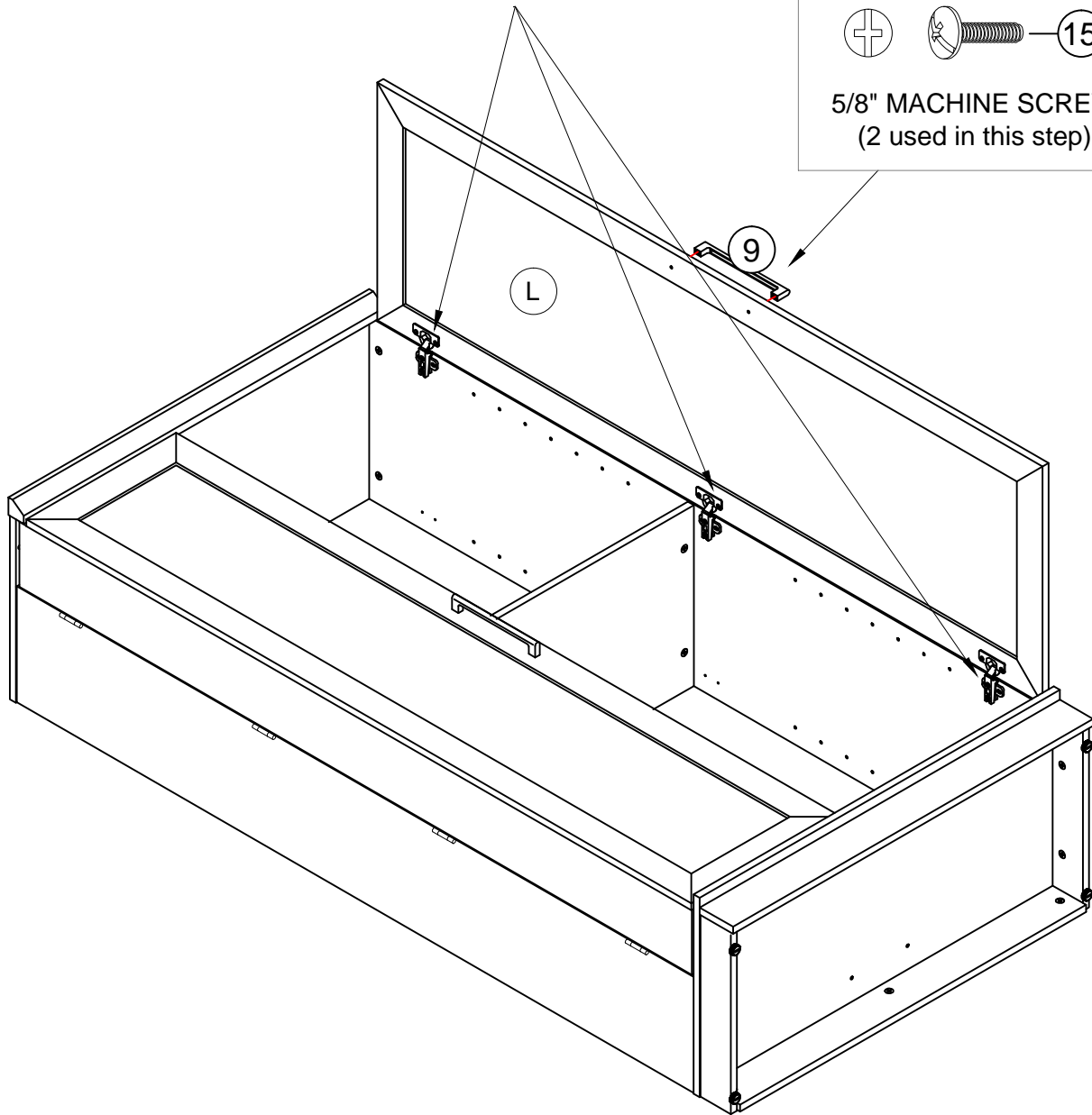
LARGE DOOR OF RIGHT



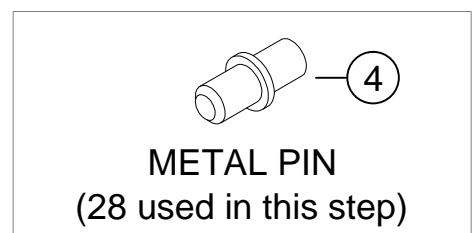
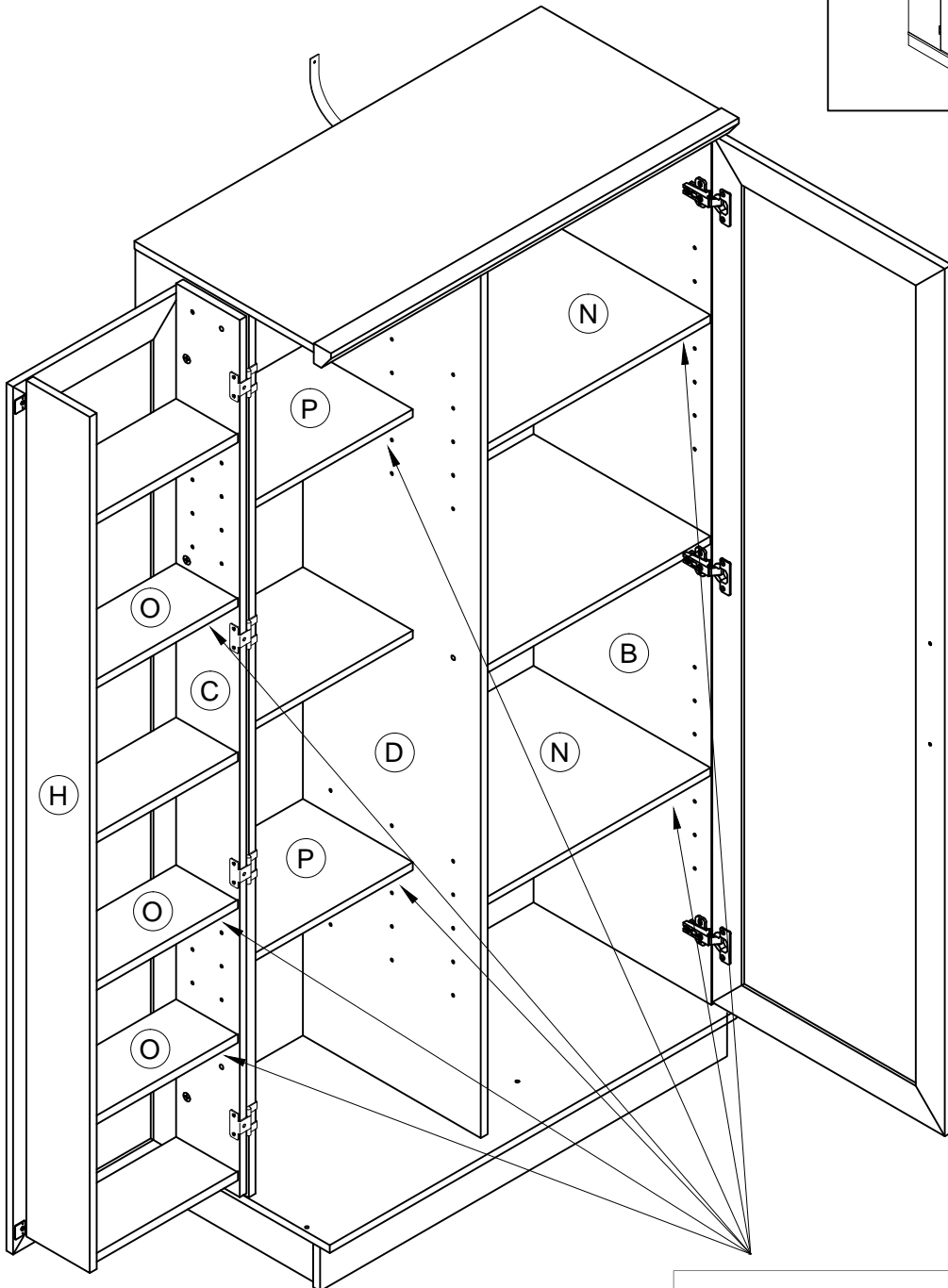
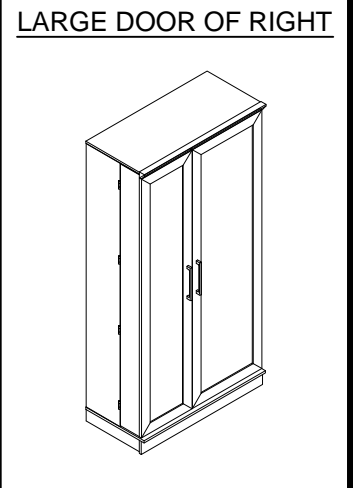
M6.3 x 10MM ZB EURO SCREW
(6 used in this step)



5/8" MACHINE SCREW
(2 used in this step)

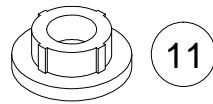
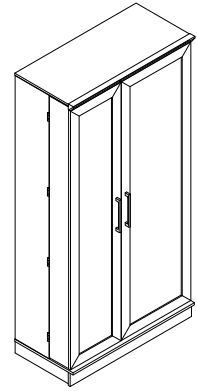


Step 47

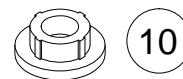
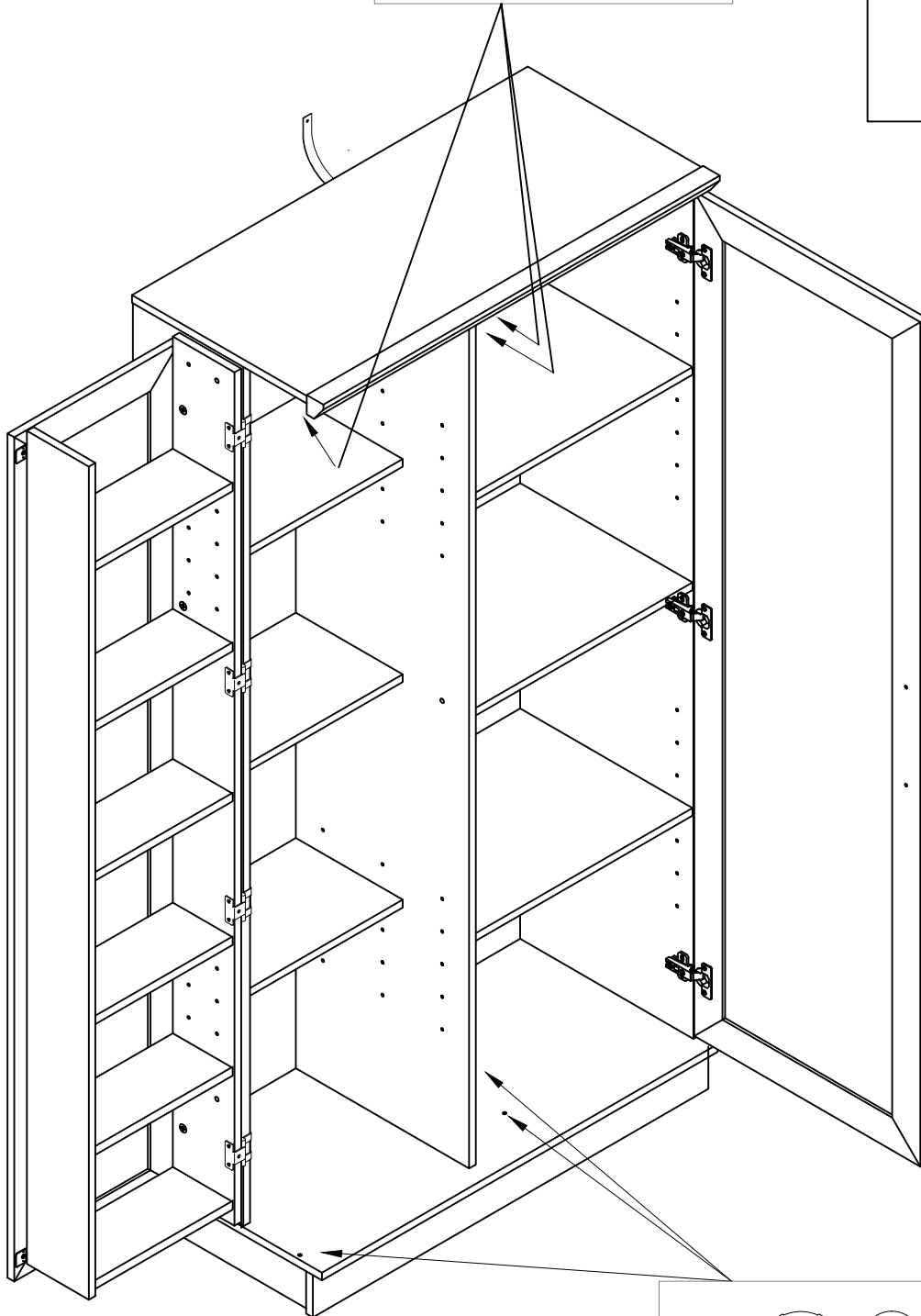


Step 48

LARGE DOOR OF RIGHT



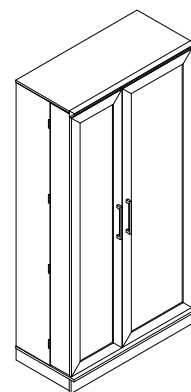
HOLE PLUG
(3 used in this step)



SMALL HOLE PLUG
(3 used in this step)

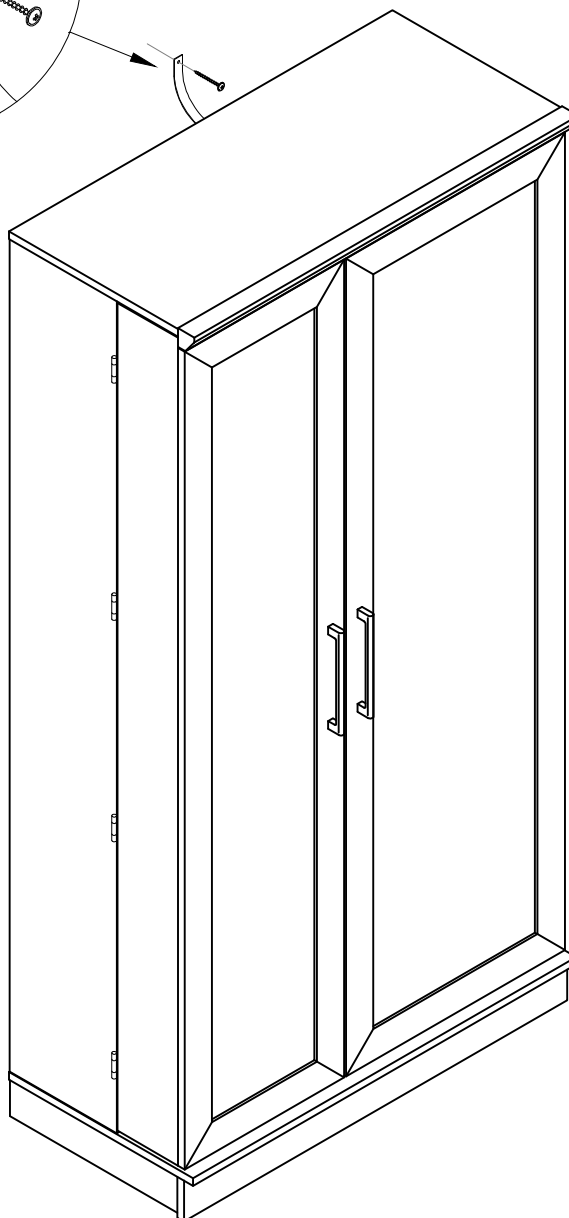
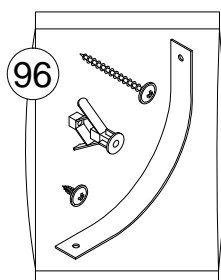
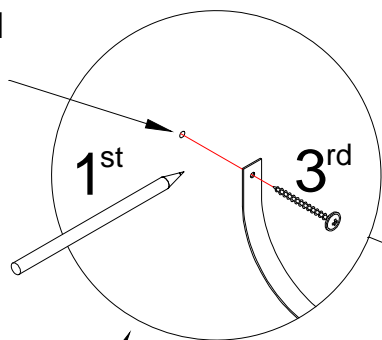
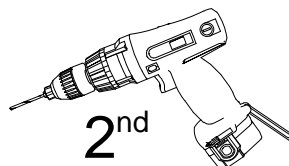
Step 49

LARGE DOOR OF RIGHT



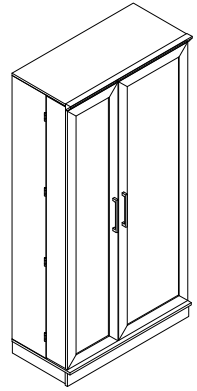
Mark and drill a 1/8" hole into the wall.

Electric drill with 1/8" bit



Step 50

LARGE DOOR OF RIGHT



Mark and drill a 3/8" hole into the wall.

Electric drill with 3/8" bit

