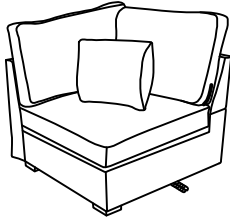
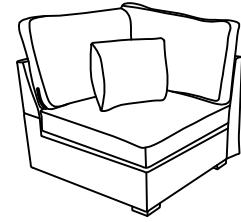


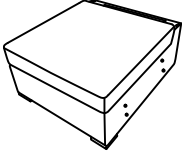
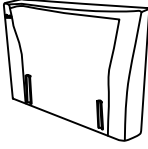
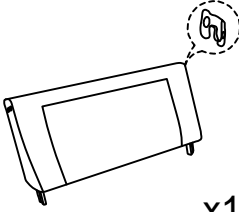
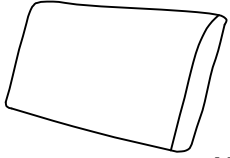
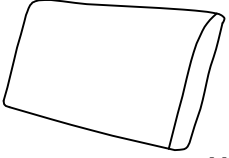
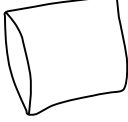
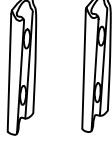
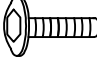
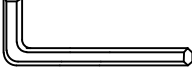
Please note that 89820- ARM / 89825- ARM can be assembled on the left and on the right.
 Assemble 89820-LR and 89825-LR according to the serial numbers of the products purchased.



89820-LR/89825-LR

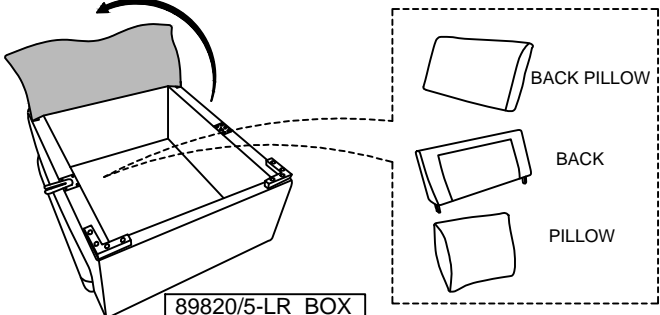


PARTS LIST

<p>89820/5-LR BOX</p>  <p>x1</p>	<p>89820/5-ARM Packed with arm pillow in one carton.</p>  <p>x1</p>	<p>BACK</p>  <p>x1</p>	<p>BACK PILLOW</p>  <p>x1</p>	<p>ARM PILLOW Packed with arms in one carton.</p>  <p>x1</p>
<p>PILLOW</p>  <p>x1</p>	<p>METAL PARTS</p>  <p>x2</p>	<p>BOLT</p>  <p>x4</p>	<p>ALLEN KEY</p>  <p>x1</p>	

89820/5-LR(LEFT/RIGHT) ASSEMBLY INSTRUCTION

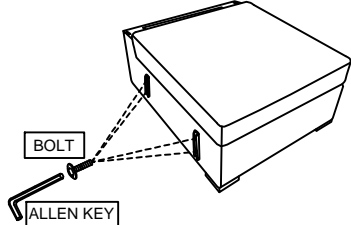
1



89820/5-LR BOX

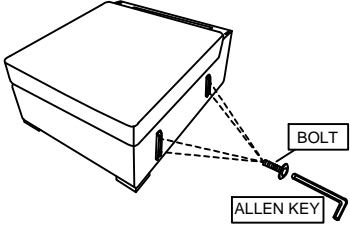
2

LEFT SIDE METAL PARTS



BOLT
ALLEN KEY

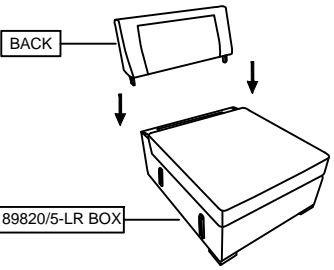
RIGHT SIDE METAL PARTS



BOLT
ALLEN KEY

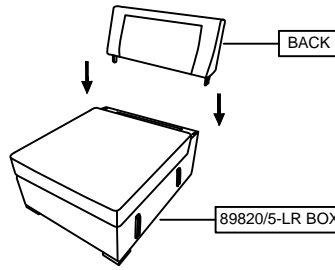
3

BACK



89820/5-LR BOX

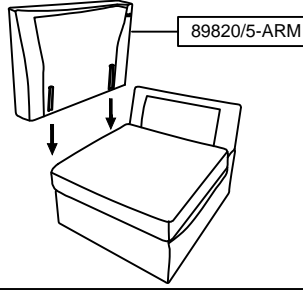
BACK



89820/5-LR BOX

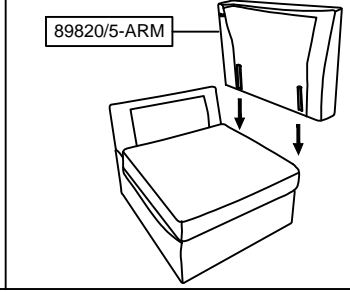
4

LEFT SIDE ARMREST



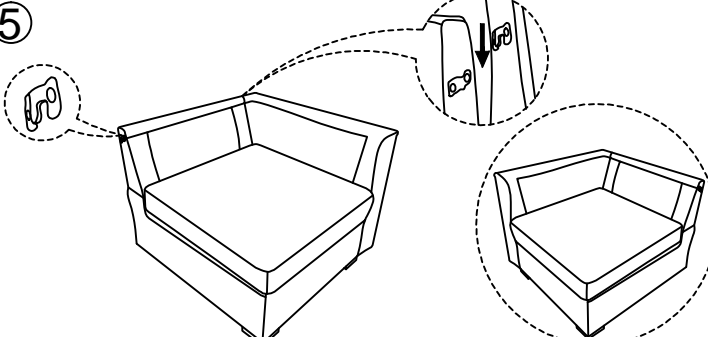
89820/5-ARM

RIGHT SIDE ARMREST

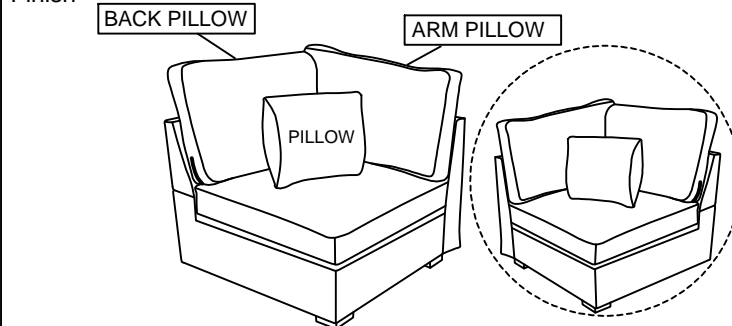


89820/5-ARM

5



Finish



BACK PILLOW
ARM PILLOW
PILLOW