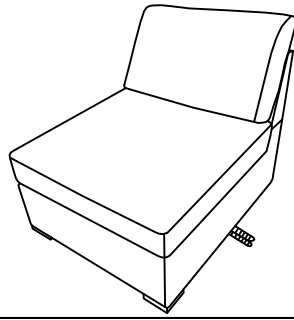
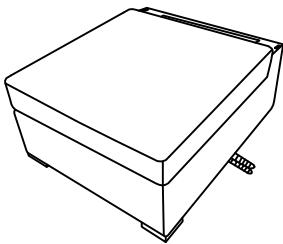


# ASSEMBLY INSTRUCTIONS

ITEM NO.:89820-A/89825-A

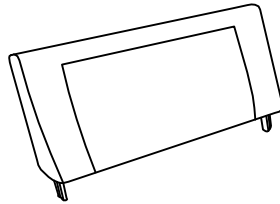


## PARTS LIST



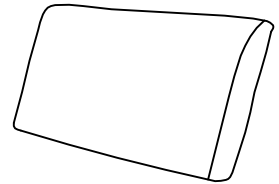
A

x1



B

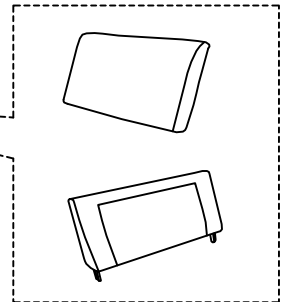
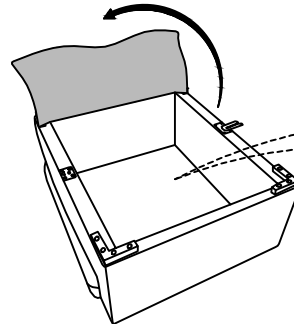
x1



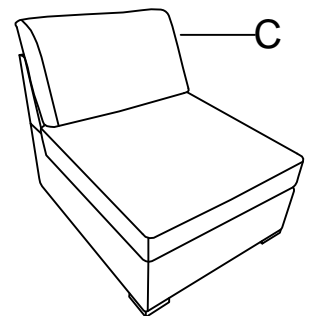
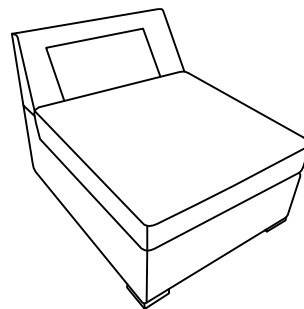
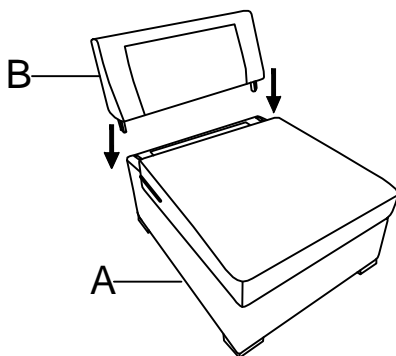
C

x1

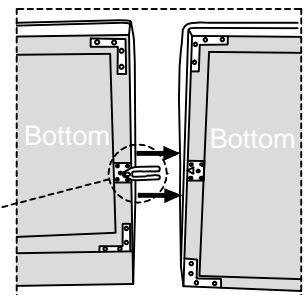
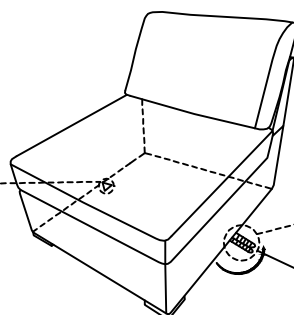
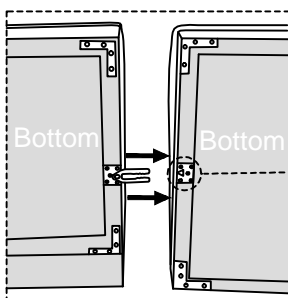
Open up Velcro of Non-Woven Fabric cover on the bottom of the seat frame to remove B+C included



Step 1



Step 2



Latch the bottom connector