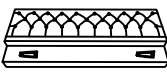
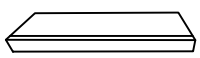
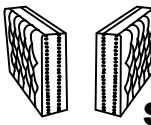






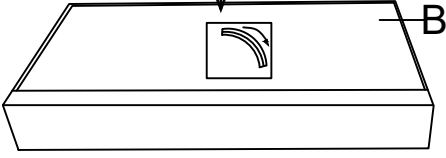
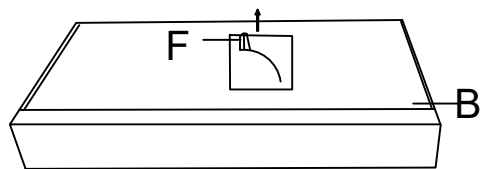
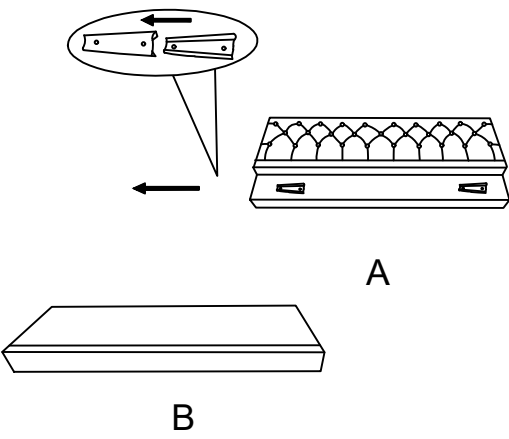
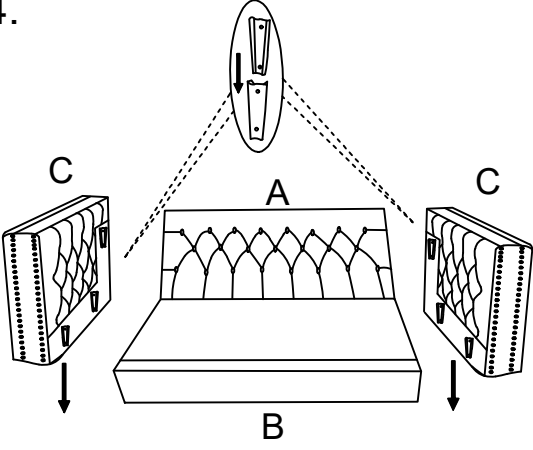
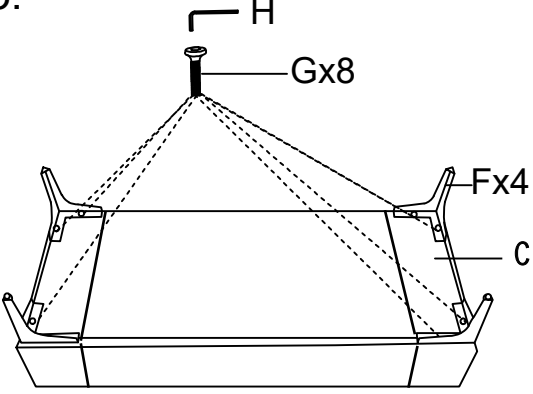


Assembly Instruction (3 cartons S1,S2,S3)

Ax1  S3	Bx1  S3	Cx1(LxR)  S1	Dx2  S2	Ex2  S2
Fx4  S3	Gx4  S3	Hx1  S3	Ix1  S2	

Note: Put all the screws into the hole site, and then tighten them.
Do not tighten one by one.

<p>1. Parts inside open here</p> 	<p>2.</p> 
<p>3.</p> 	<p>4.</p> 
<p>5.</p> 	<p>6.</p> 