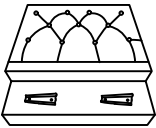
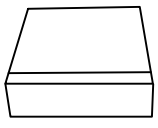
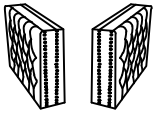

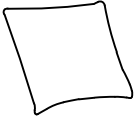



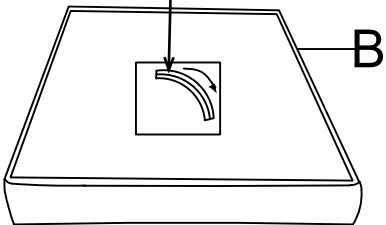
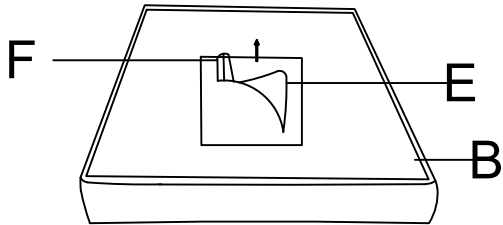
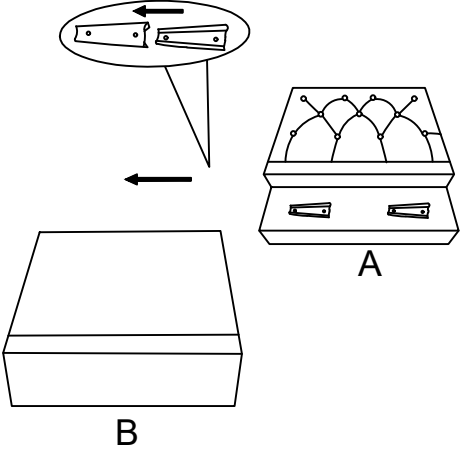
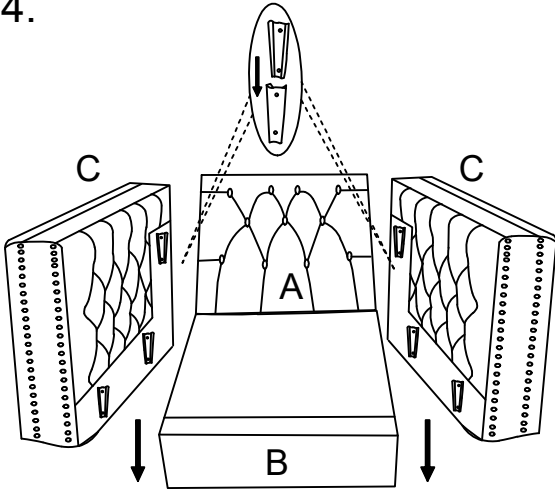
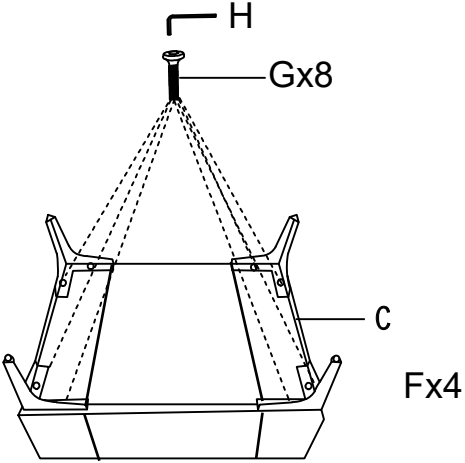


Assembly Instruction

Ax1  C2	Bx1  C2	Cx1(LxR)  C1	Dx1  C2
Ex1  C2	Fx4  C2	Gx4  C2	Hx1  C2

Note: Put all the screws into the holes, and then tighten them. Do not tighten one by one

<p>1. Parts inside open here</p> 	<p>2.</p> 
<p>3.</p> 	<p>4.</p> 
<p>5.</p> 	<p>6.</p> 