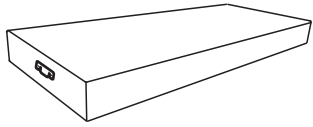
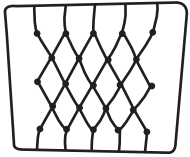


Ax1



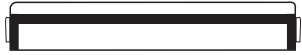
Bx2



Cx1



Dx1



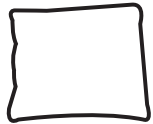
Ex1



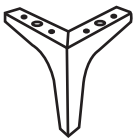
Fx2



Gx2



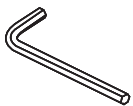
Ix4



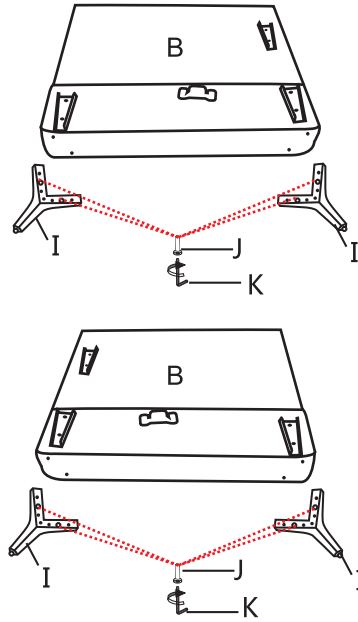
Jx8



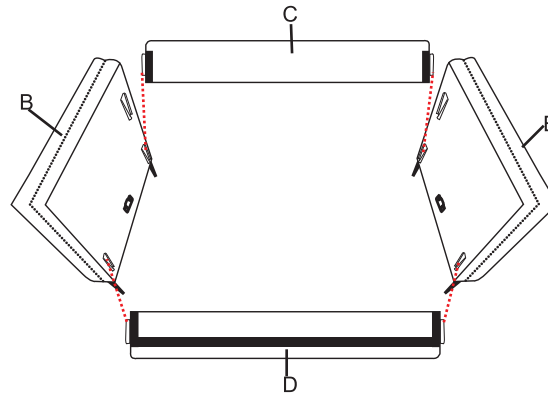
Kx1



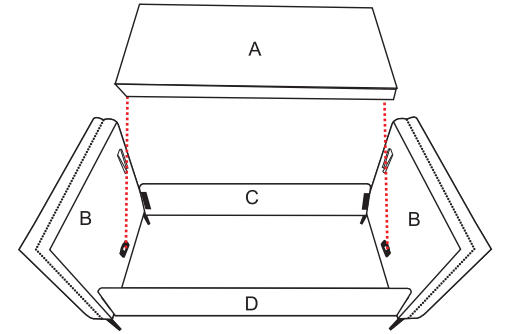
1



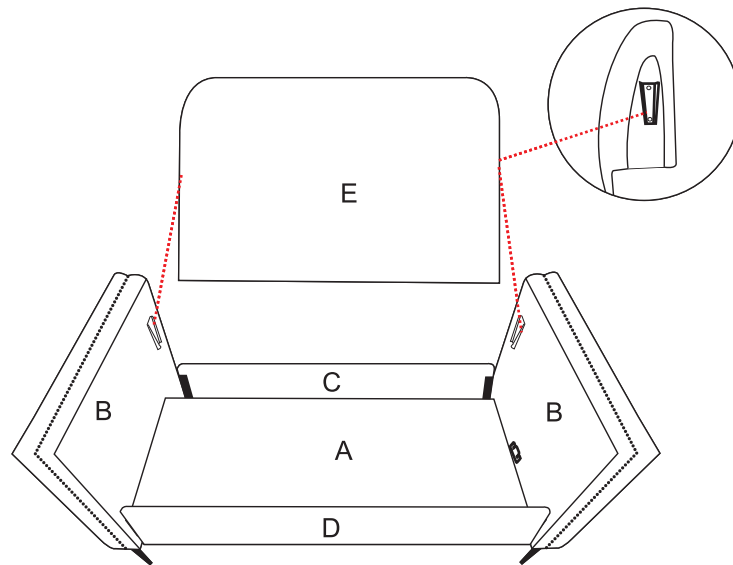
2



3



4



5

