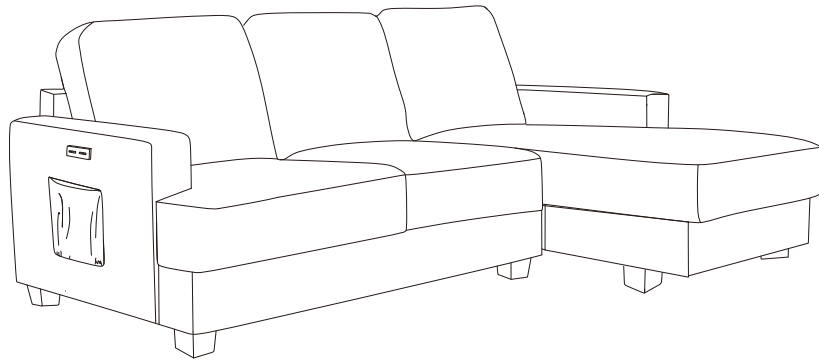
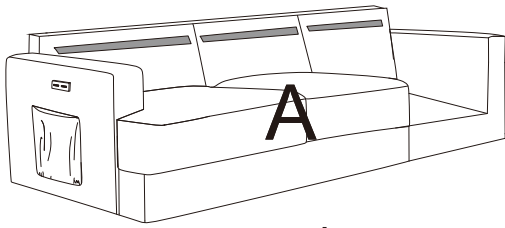


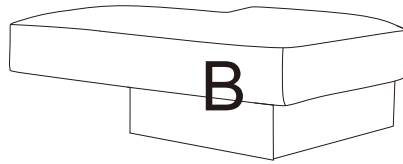
ASSEMBLY INSTRUCTION



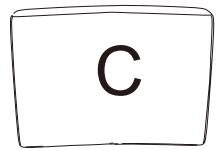
PARTS LIST



A
x1



B
x1



C
x3

HARDWARE LIST



1

x7



2

x7



3

x1

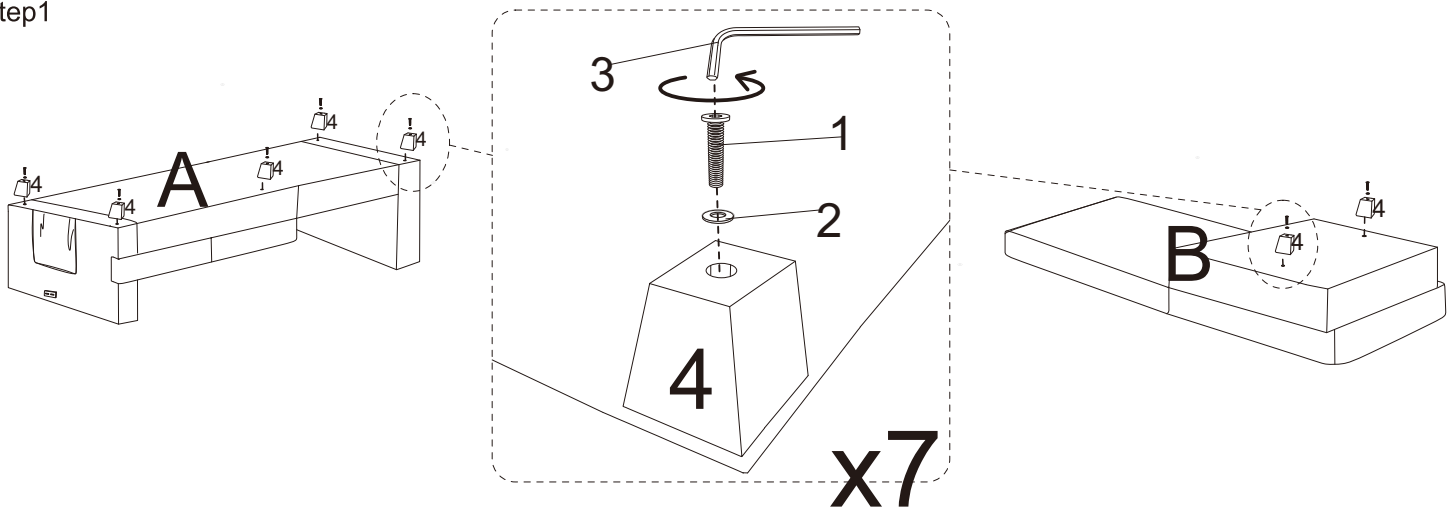


4

x7

ASSEMBLY INSTRUCTION-BOX-1+BOX-3

Step1



Step2

