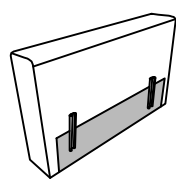


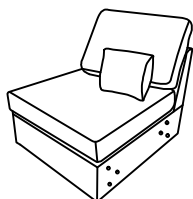
Note: You can choose different feet (High/Short style).

Please note that 89420/89425 can be assembled on the left and on the right. Assemble 89420/89425 according to the serial numbers of the products purchased.



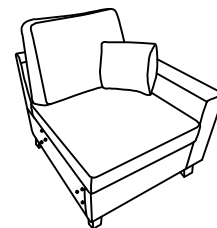
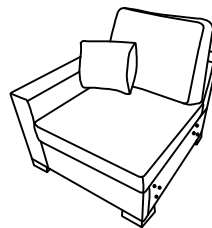
Arms

+



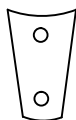
Armless Chair(A)

= Right/Left Chair



PART LIST

ax4



iron connector packed in the arms carton

bx8



M6x16mm

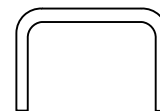
bolt used with iron connector and packed in the arms carton

cx1

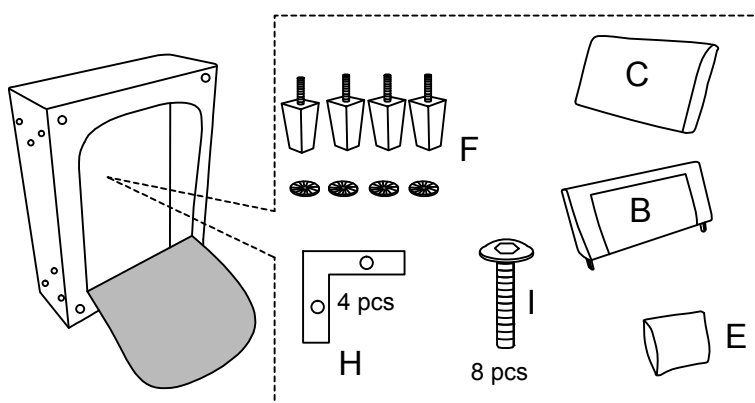


Allen Key

dx2



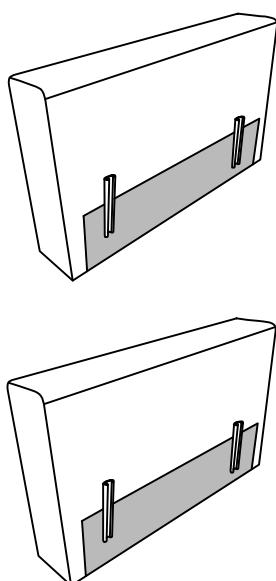
Open up Velcro of Non-Woven Fabric cover on the bottom of the seat frame to remove.



IMPORTANT

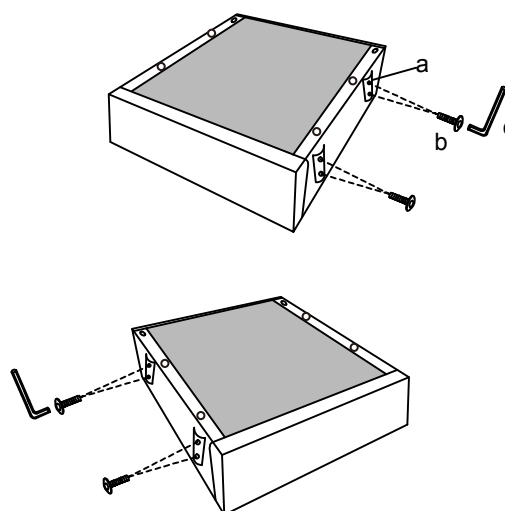
- 1, Open the fabric of box bottom and take all parts out. It is Armless chair(A) carton.
- 2, You can choose High/Short feet to assemble. Two legs are for arms and other two legs are for Armless chair .

Step 1



two arms packed in one carton with bolts(M6x16mm) and iron connector.

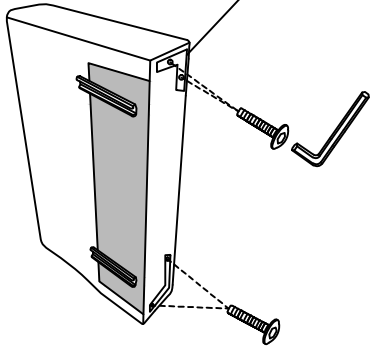
Step 2



Please assemble the iron connector for your need. If you want Left Arm then assemble the iron connector on the left of Armless chair. If you want Right Arm then assemble the iron connector on the right of Armless chair. You need Left/Right chair with arms then assemble two legs for arms and other two legs for seat.

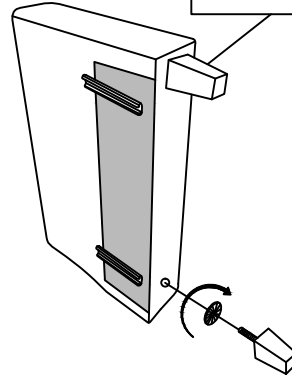
Step 3

short foot(packed with A)

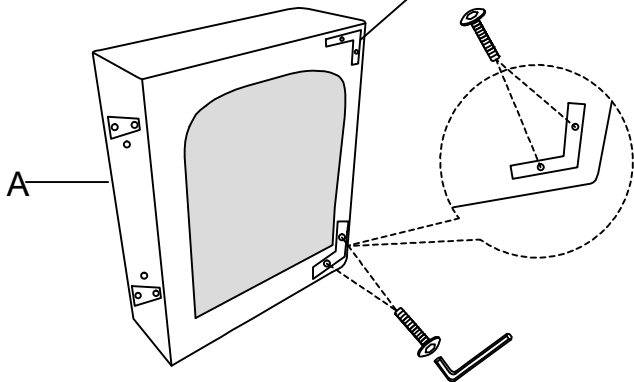


Step 3

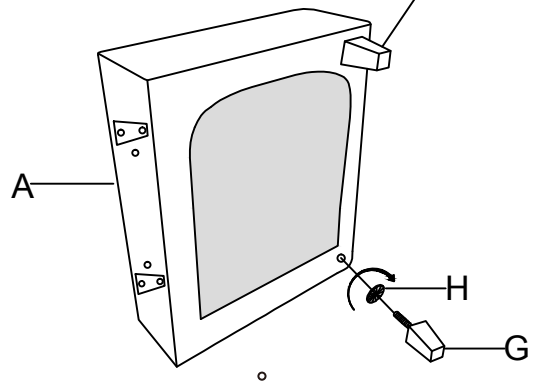
high foot(packed with A)



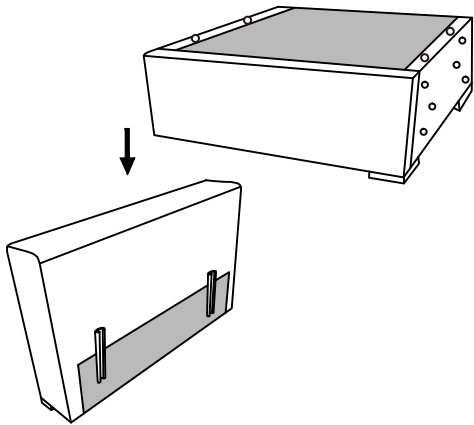
short foot style



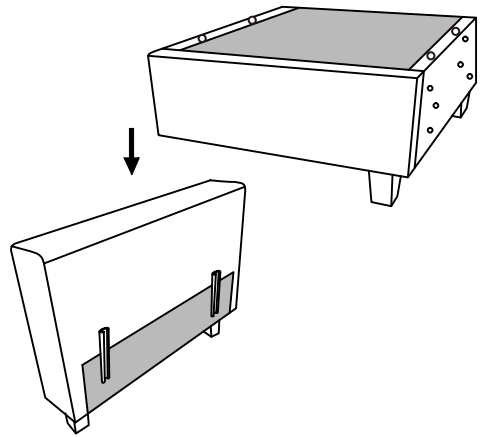
high foot style



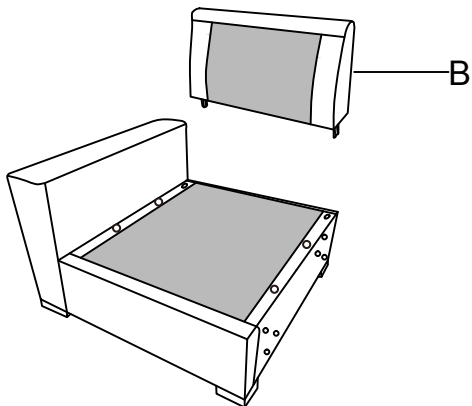
Step 4



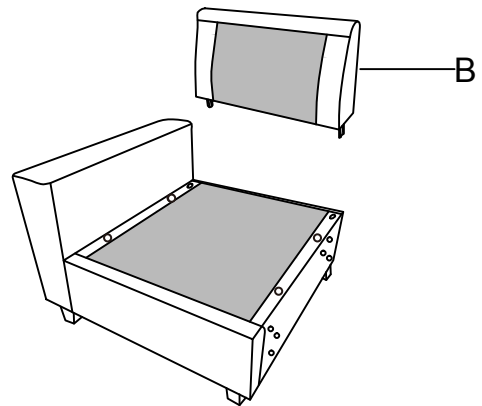
Step 4



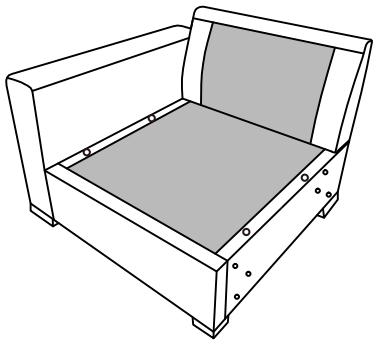
Step 5



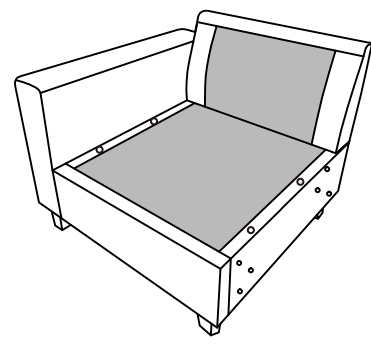
Step 5



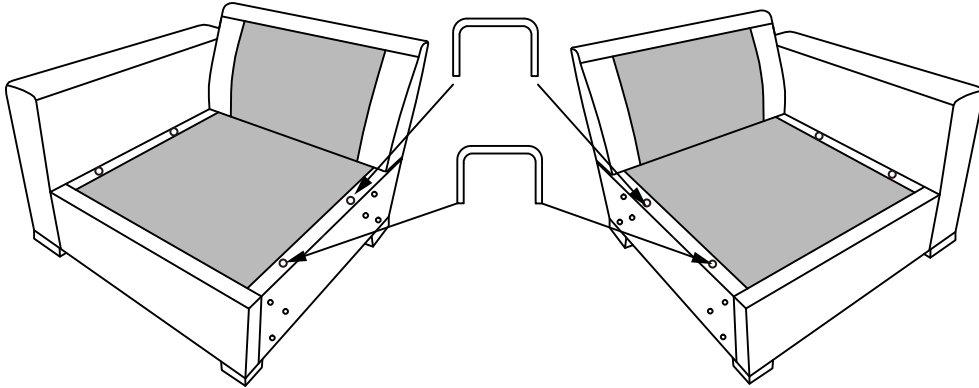
Step 6



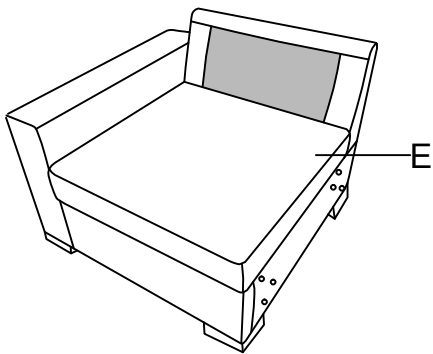
Step 6



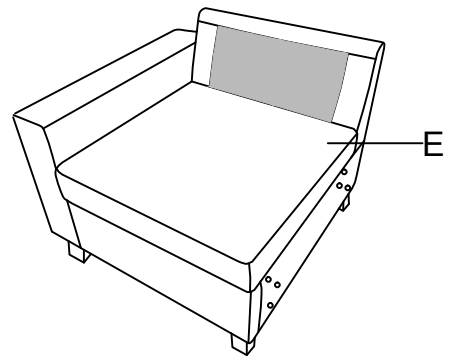
Step 7



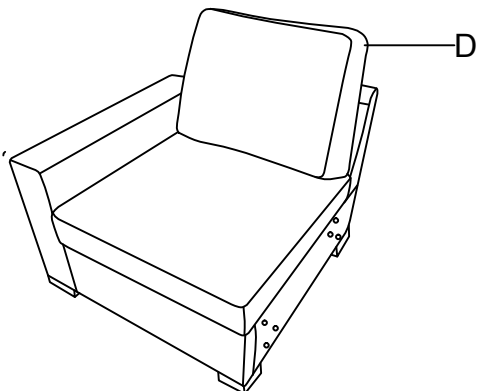
Step 8



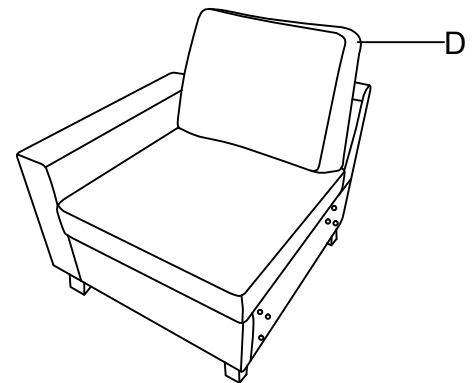
Step 8



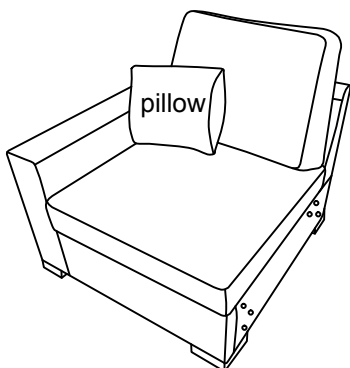
Step 9



Step 9



Step 10



Step 10

