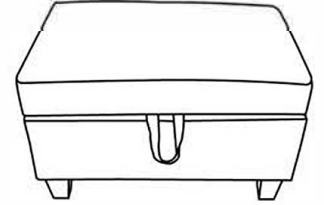
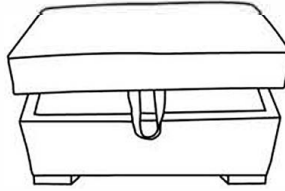


Note: You can choose different feet (High/Short style).



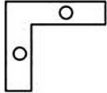


ASSEMBLY INSTRUCTION

ITEM NO.:89420-O/ 89425-O

Ottoman(O)

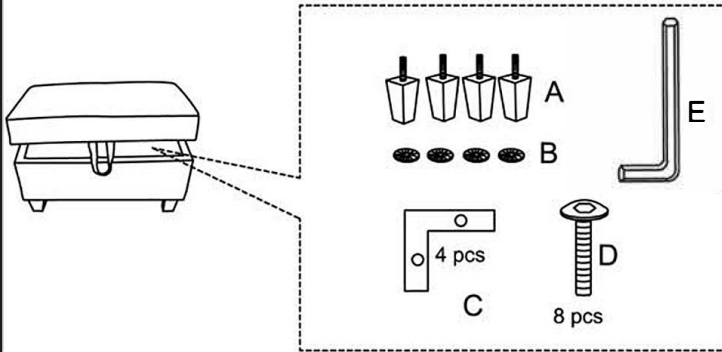


PART LIST

Ax4  high foot	Bx4  washer	Cx4  short foot	Dx8  M6x35mm bolt	Ex1  Allen Key
---	--	--	---	---

Step 1

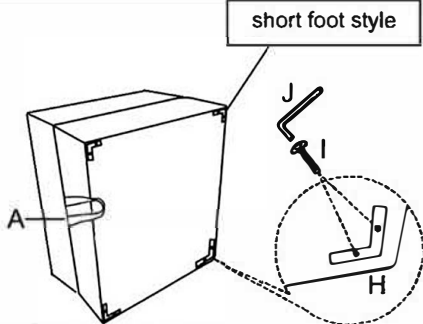
Open the cover to remove . A+B+C+D+E



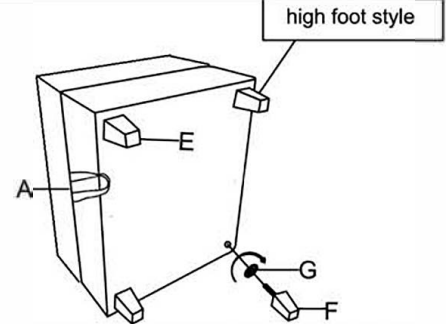
IMPORTANT

- 1, Open the cover and take all parts out
- 2, You can choose High/Short feet to assemble.

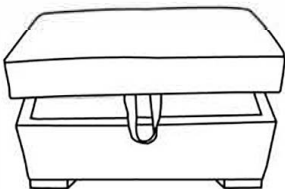
Step 2



Step 2



Step 3



Step 3

