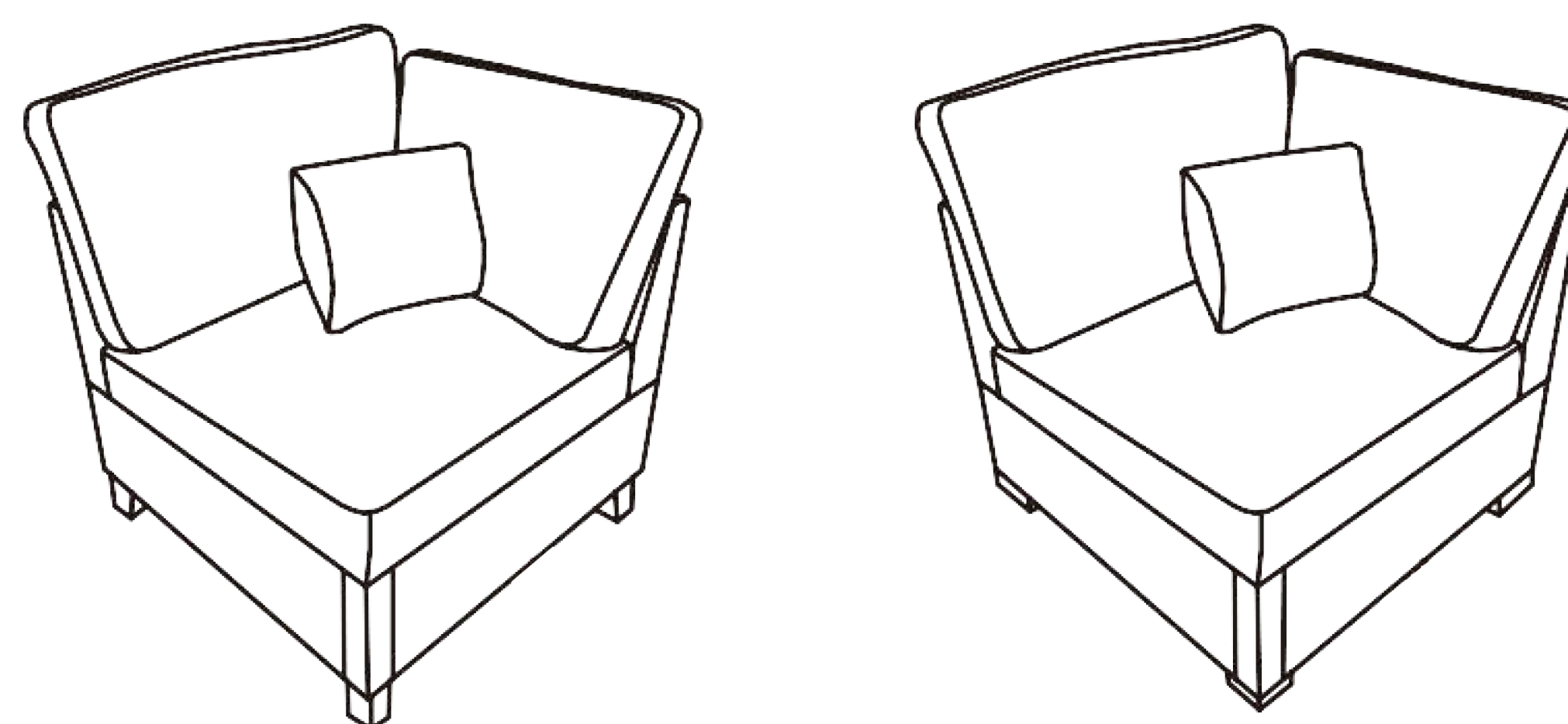
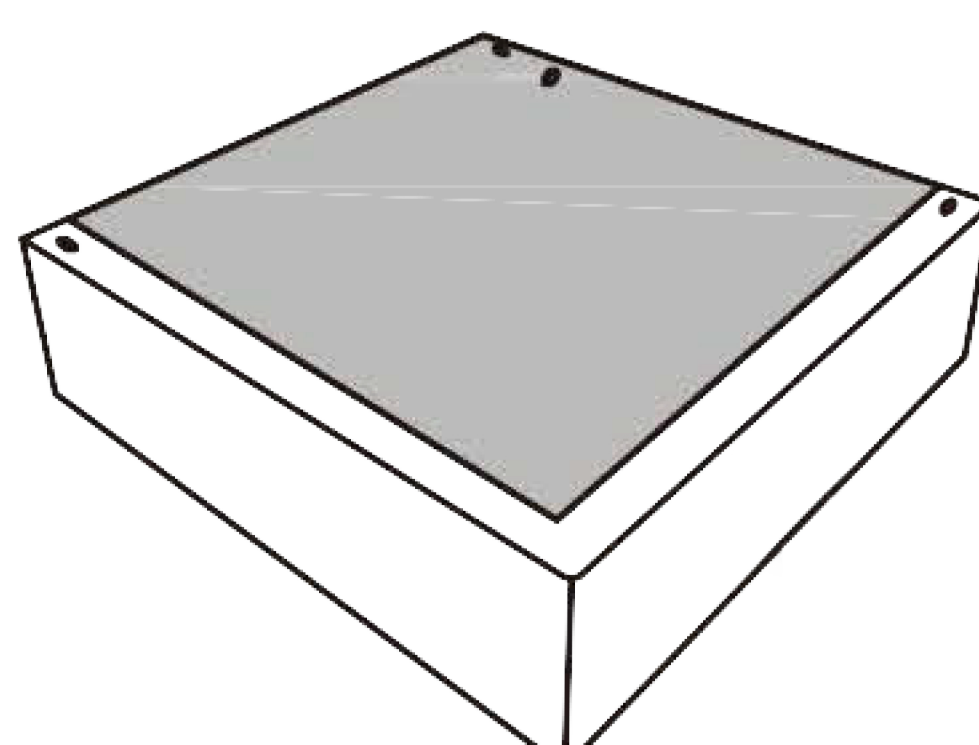
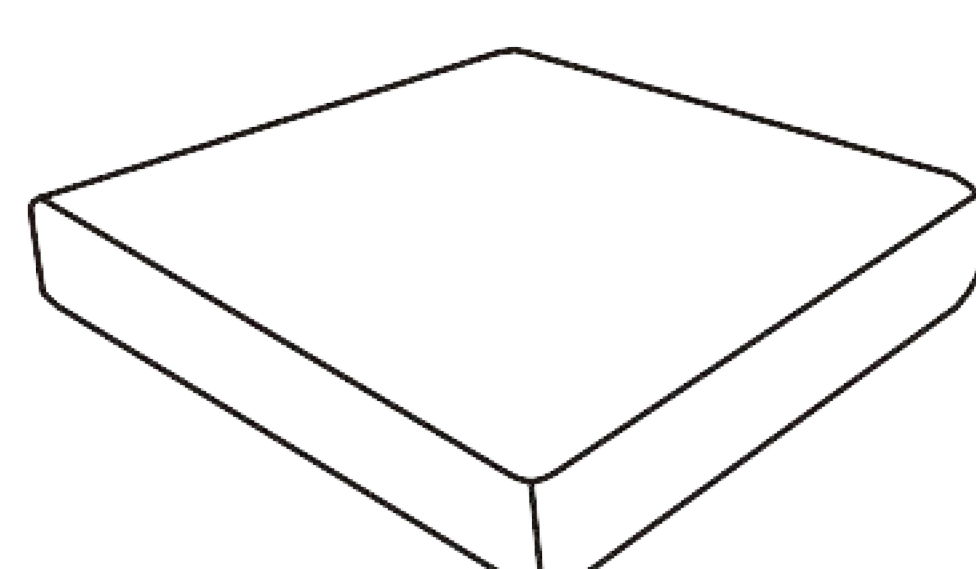
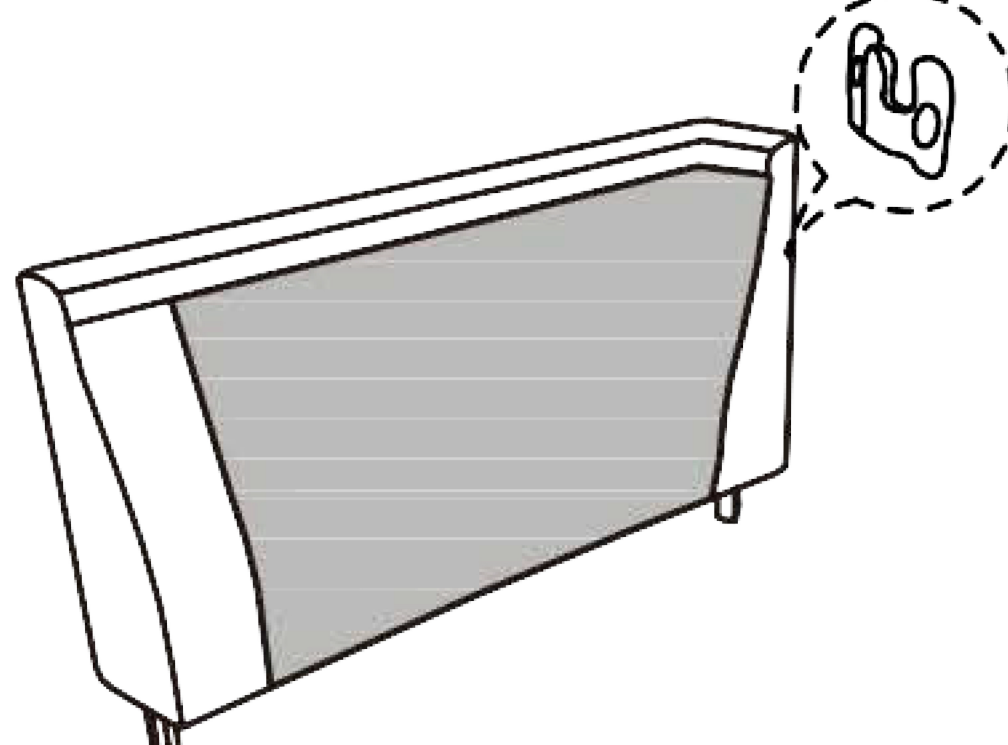
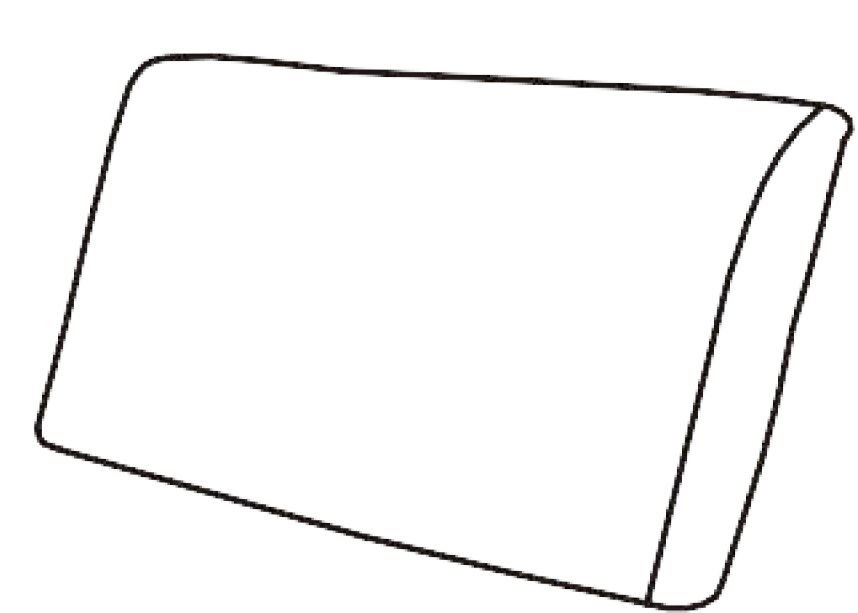
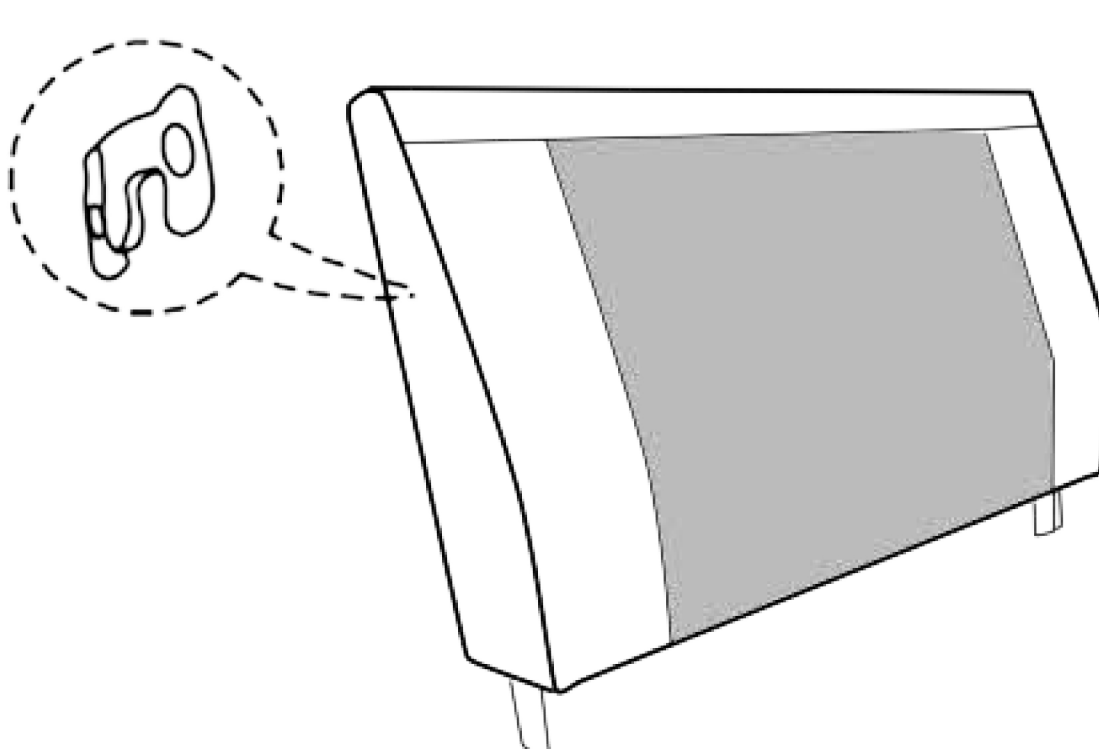
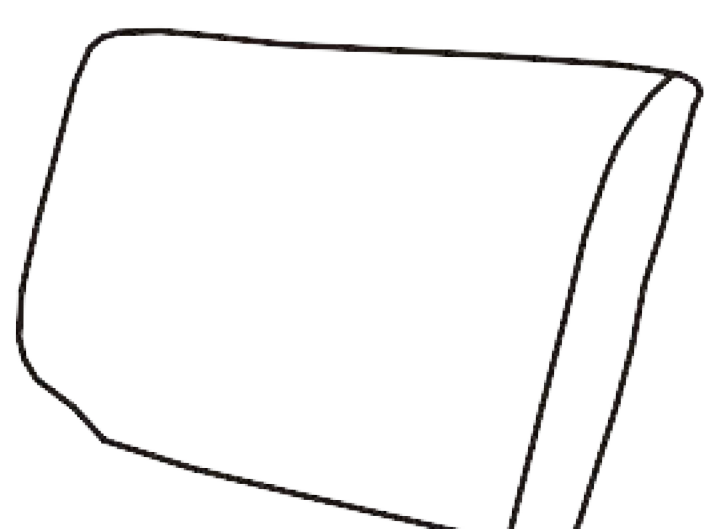
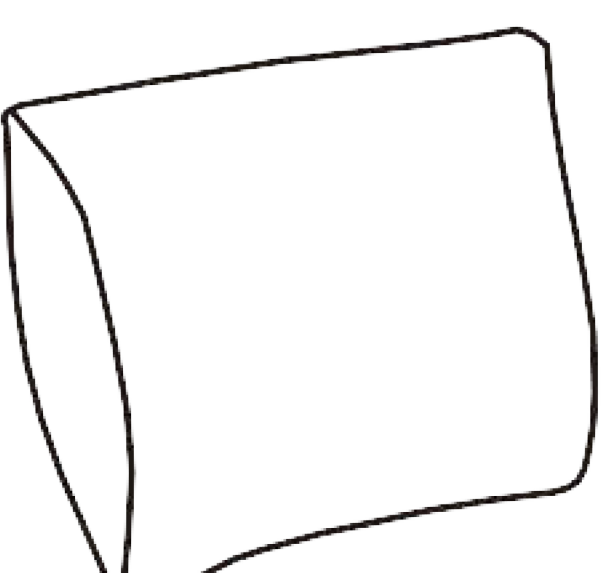
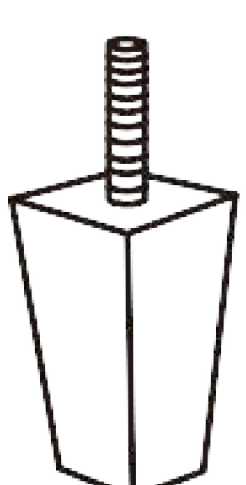
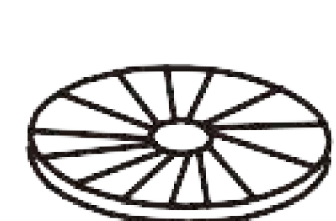
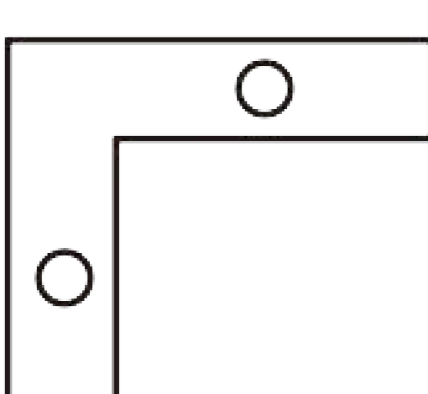
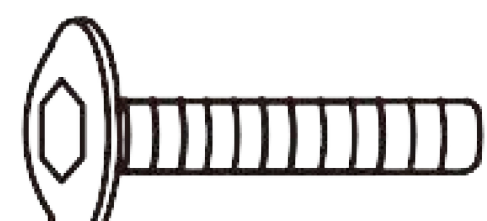

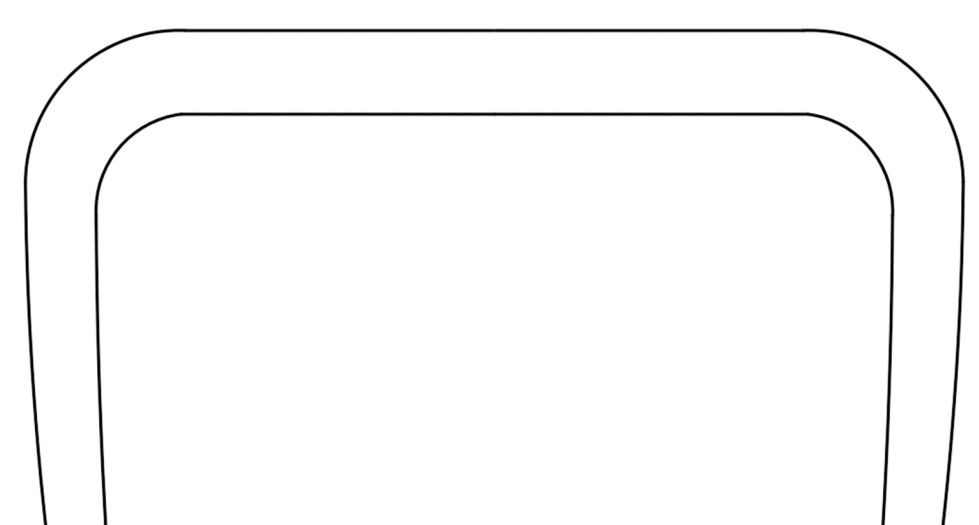


Corner



PARTS LIST

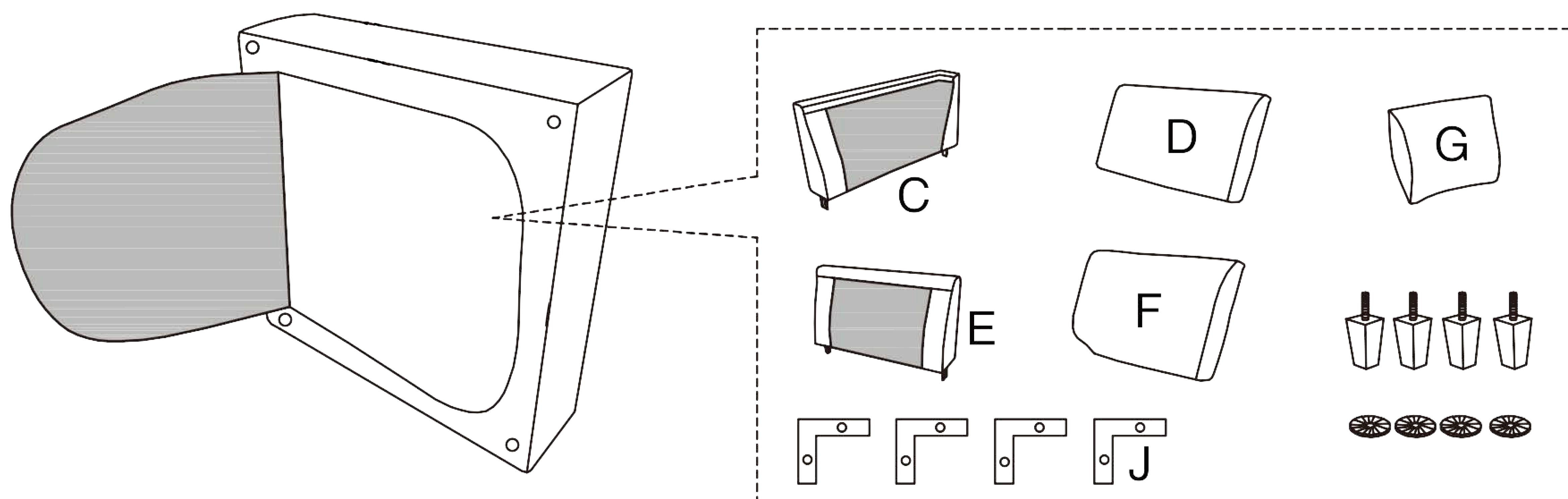
<p>Ax1</p>  <p>seat frame</p>	<p>Bx1</p>  <p>seat cushion</p>	<p>Cx1</p>  <p>back</p>	<p>Dx1</p>  <p>back cushion</p>	
<p>Ex1</p>  <p>right back</p>	<p>Fx1</p>  <p>right back cushion</p>	<p>Gx1</p>  <p>pillow</p>	<p>Hx4</p>  <p>high foot</p>	
<p>Ix4</p>  <p>washer</p>	<p>Jx4</p>  <p>short foot</p>	<p>Kx8</p>  <p>M6x35mm bolt</p>	<p>Lx1</p>  <p>Allen Key</p>	<p>Mx2</p> 

Step 1

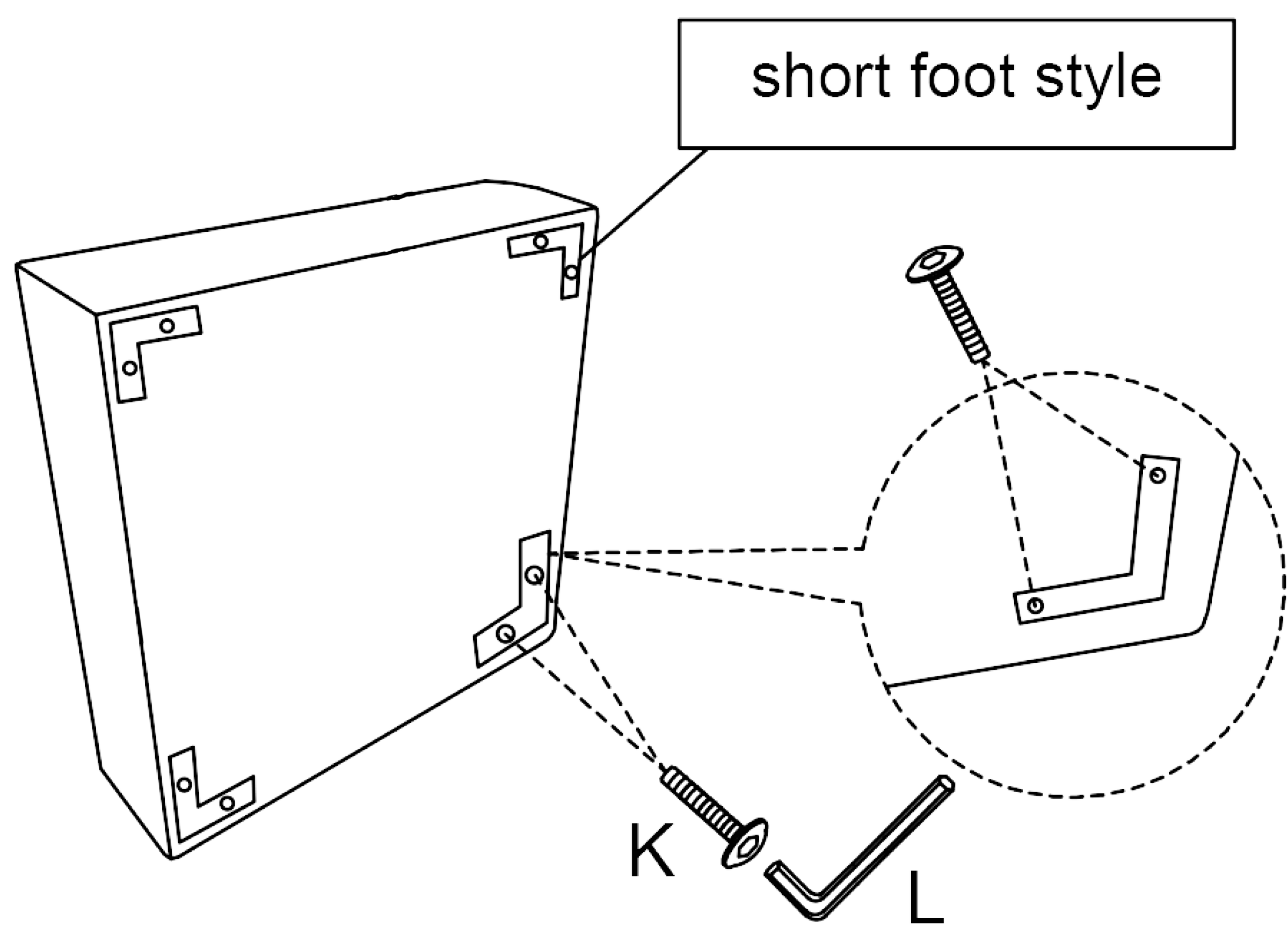
Open up Velcro of Non-Woven Fabric cover on the bottom of the seat frame to remove.

IMPORTANT

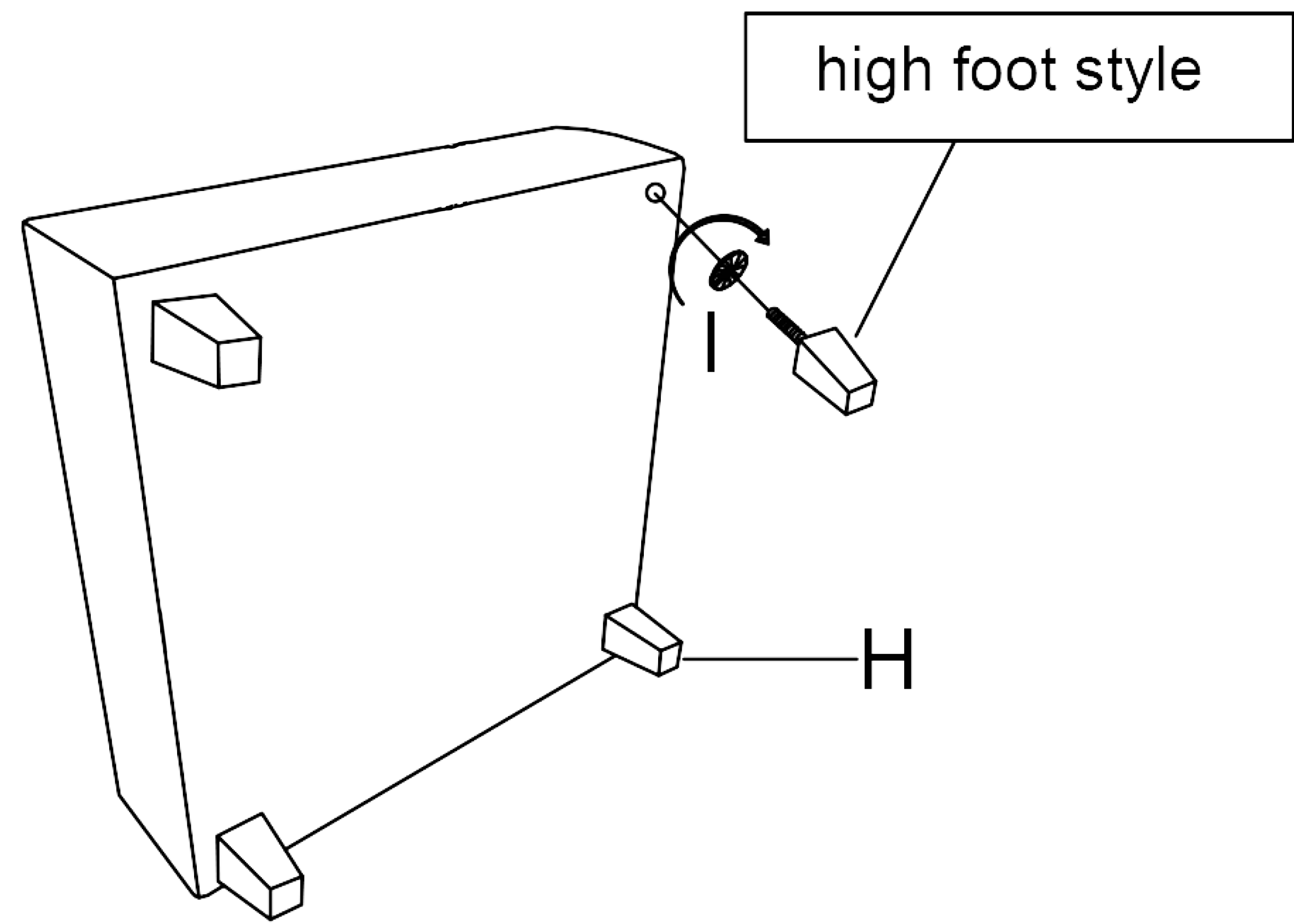
- 1, Open the fabric of box bottom and take all parts out.
- 2, You can choose High/Short feet to assemble.



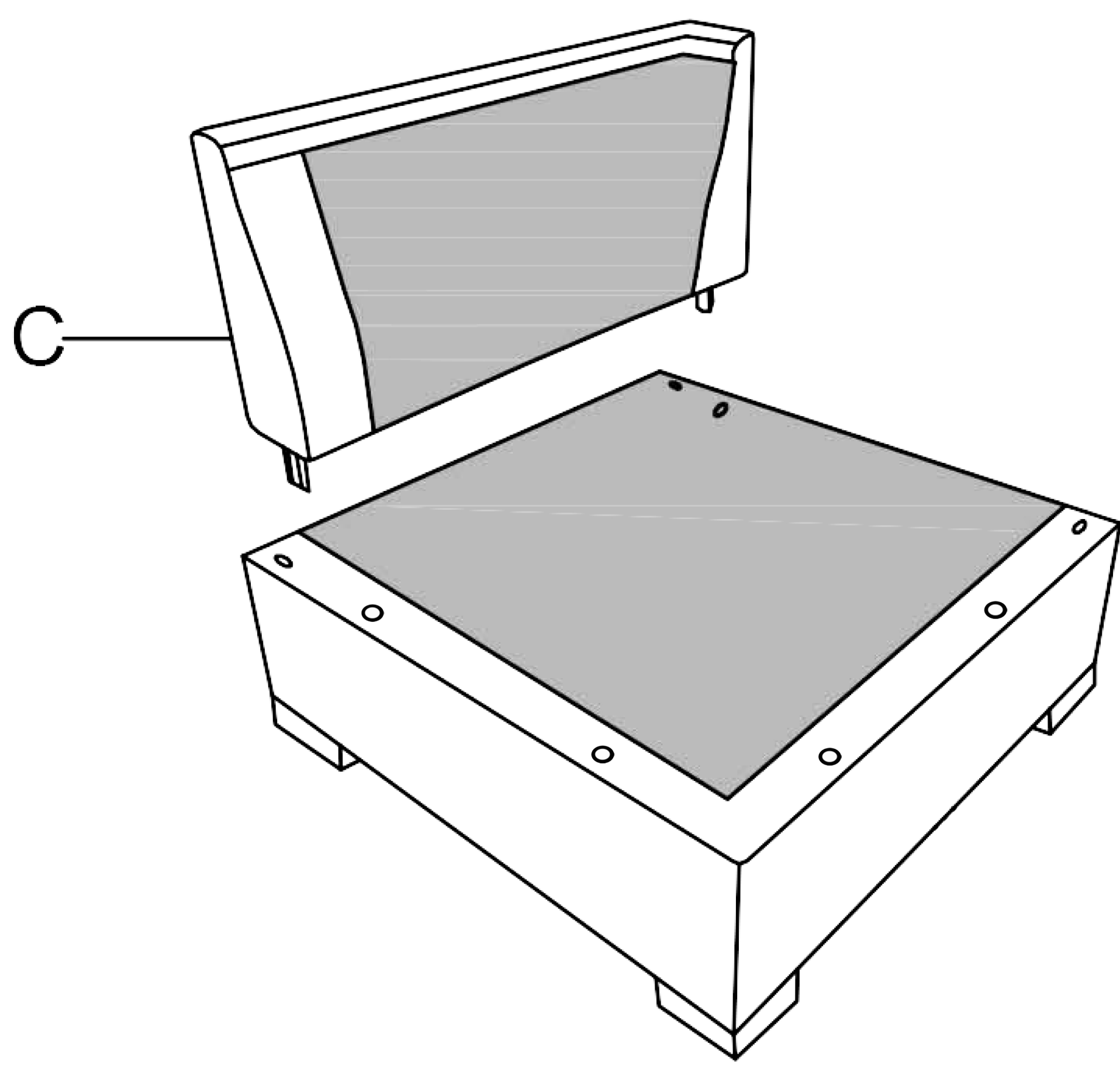
Step 2



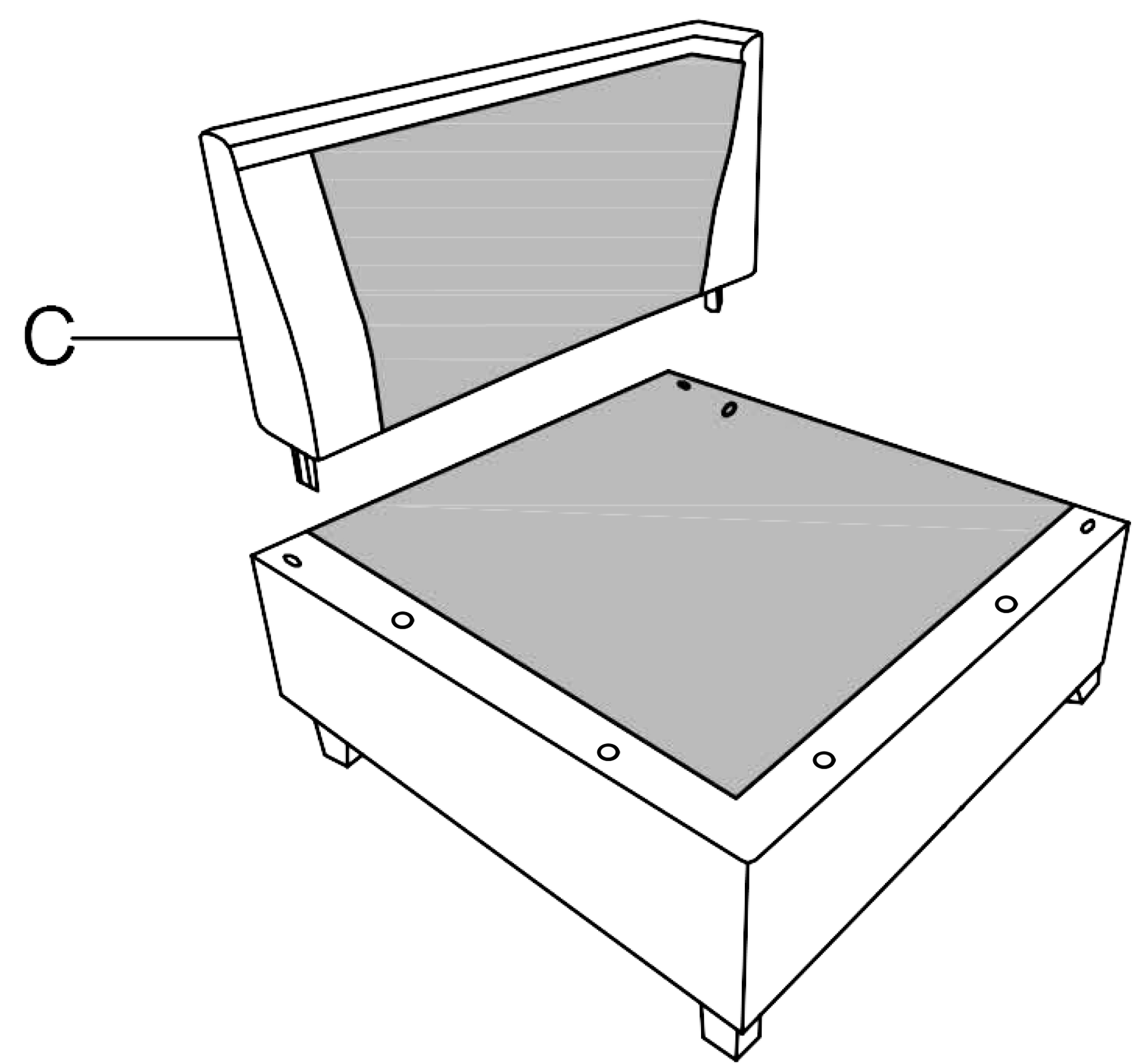
Step 2



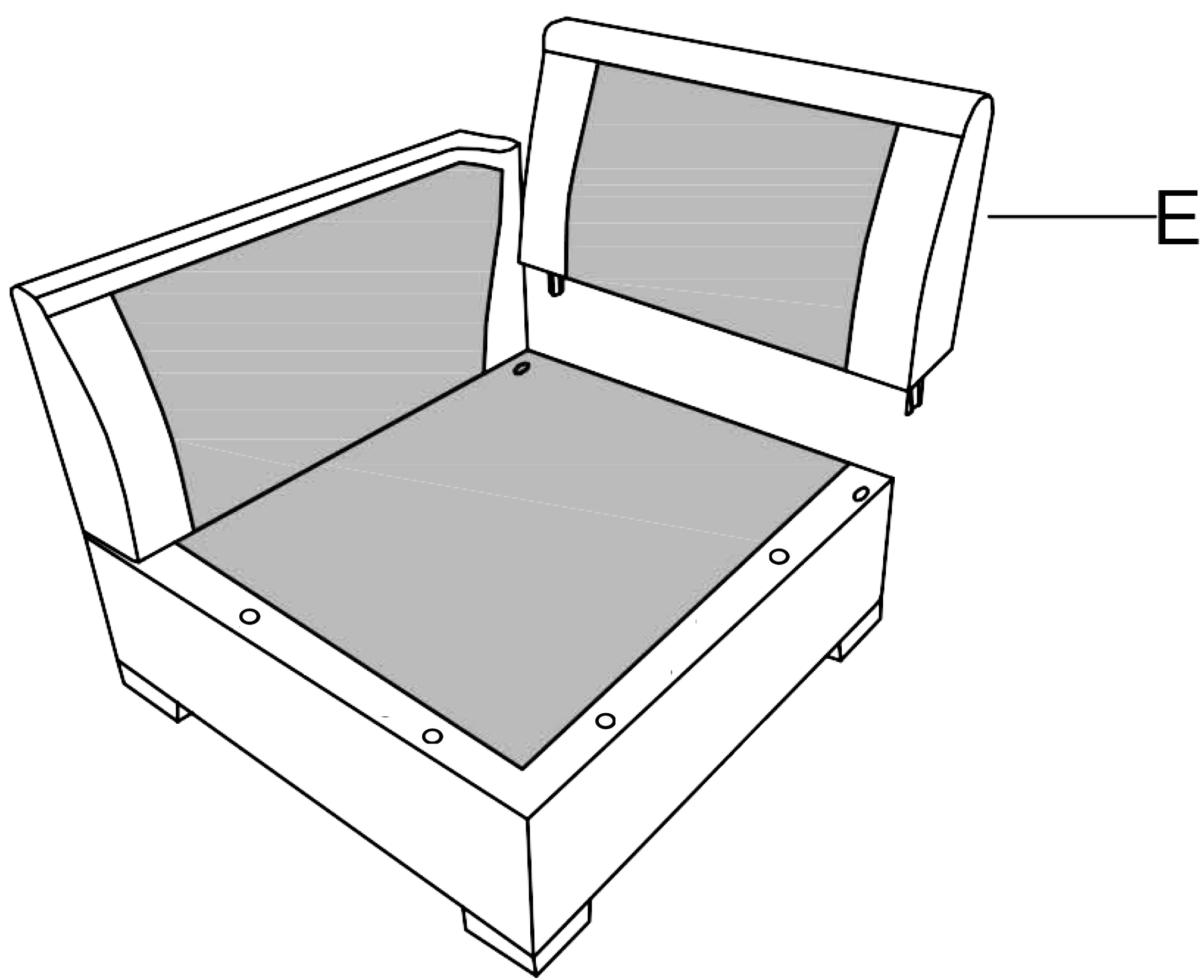
Step 3



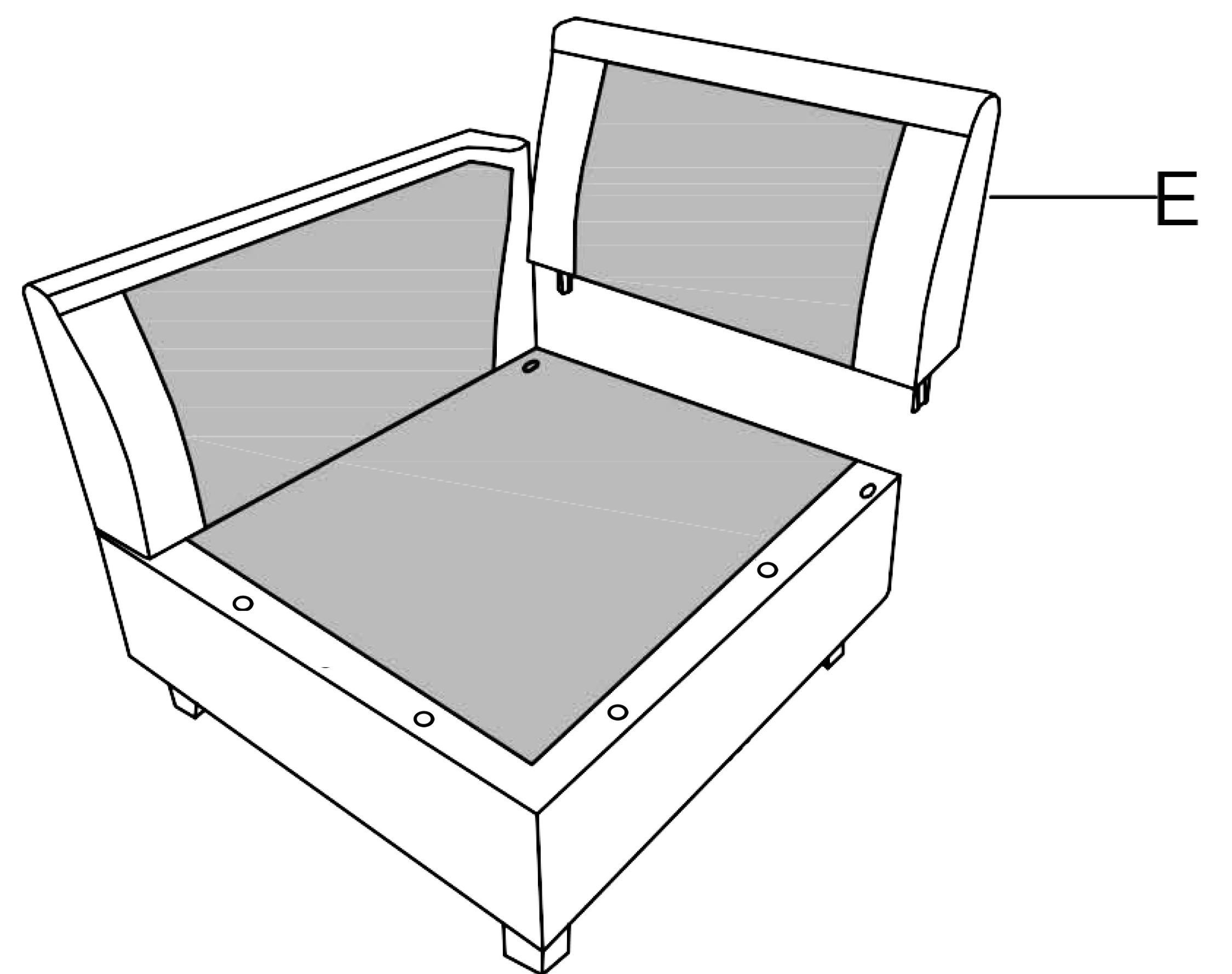
Step 3



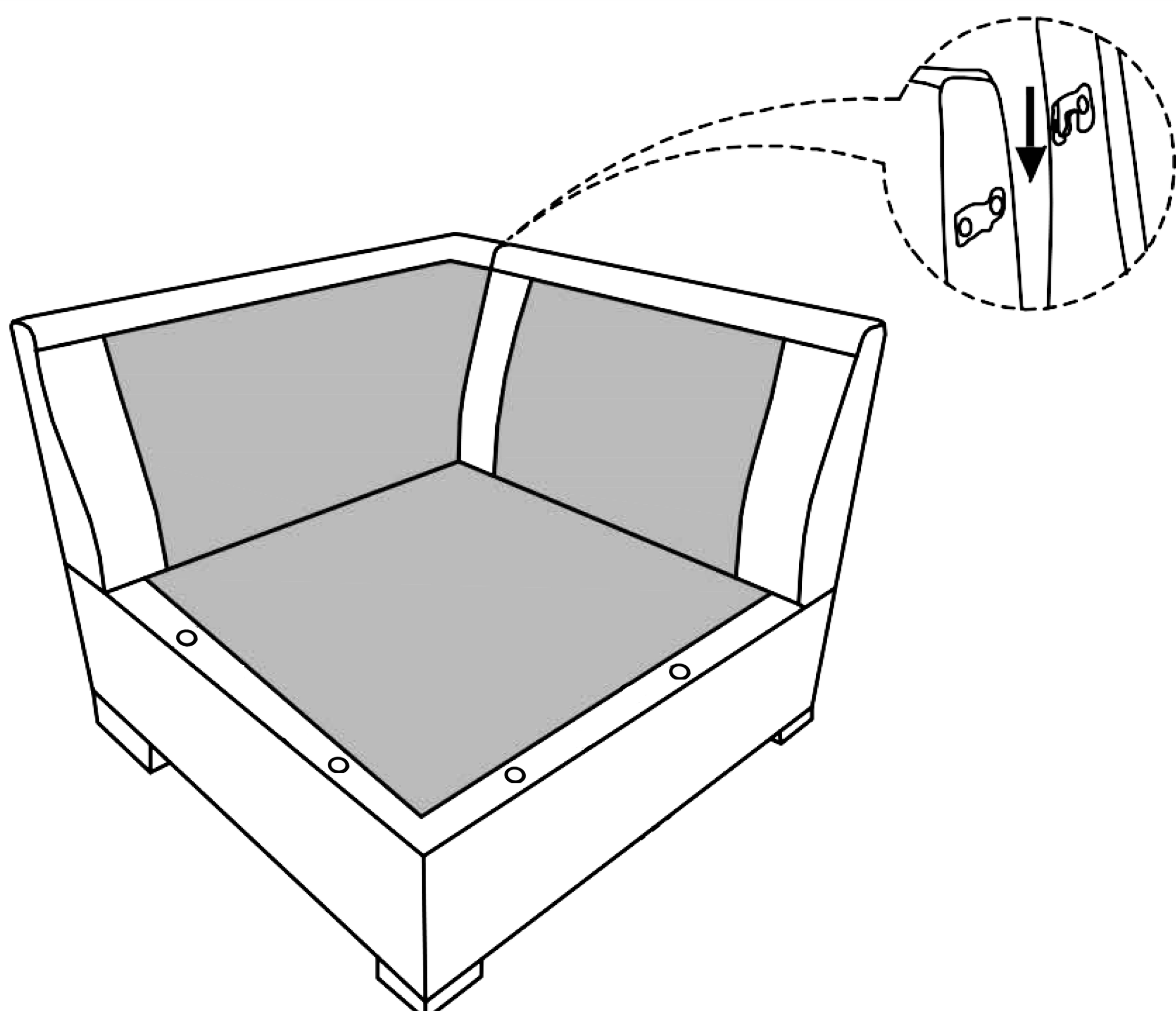
Step 4



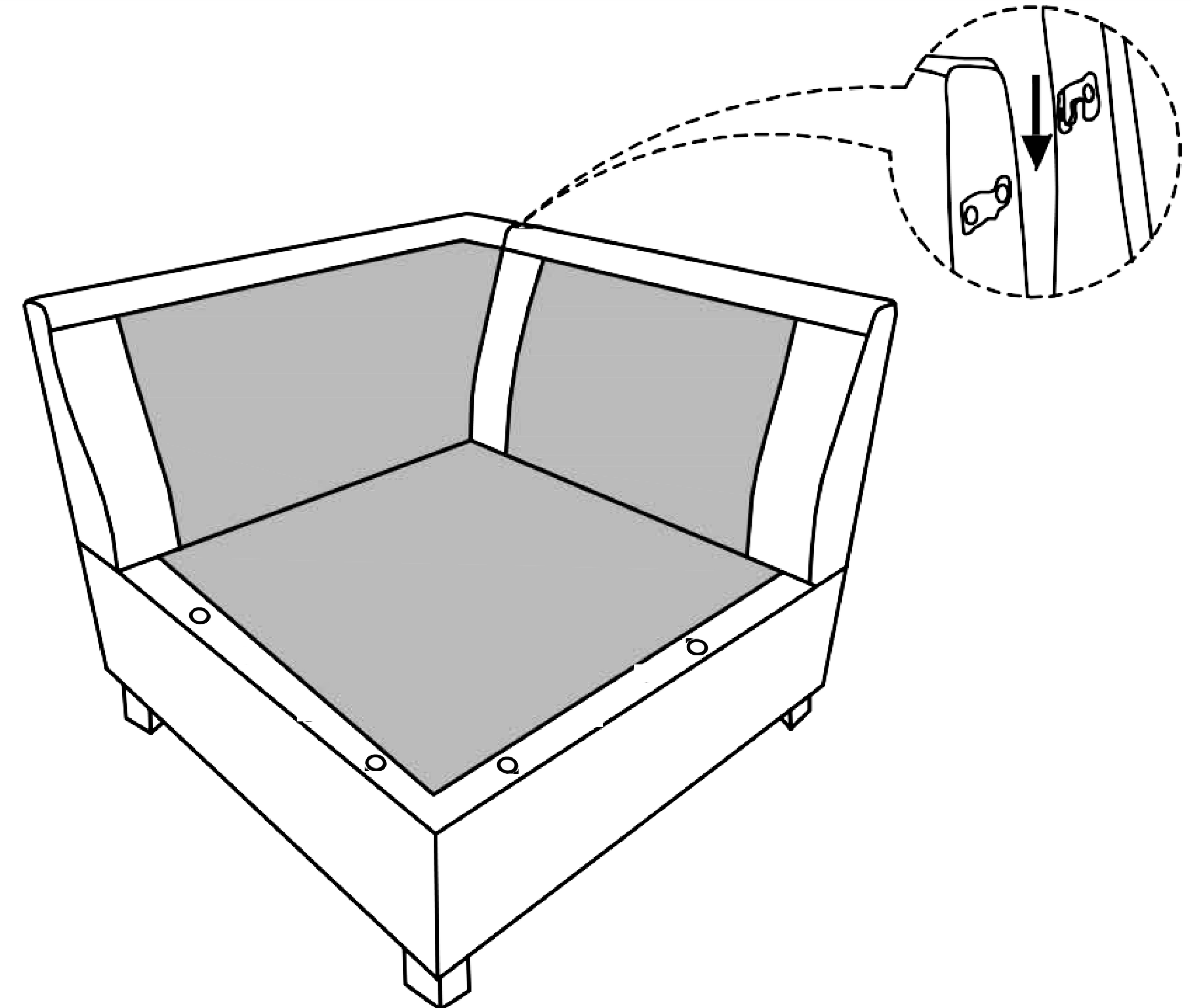
Step 4



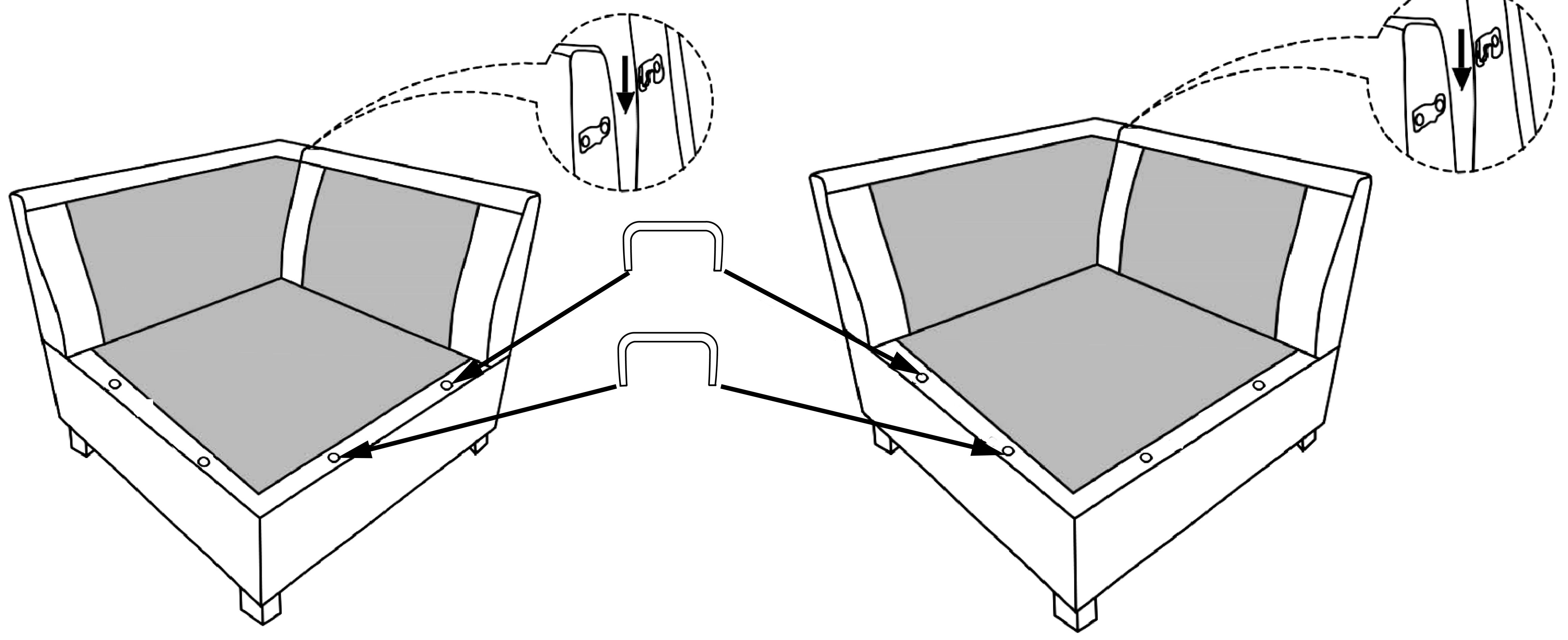
Step 5



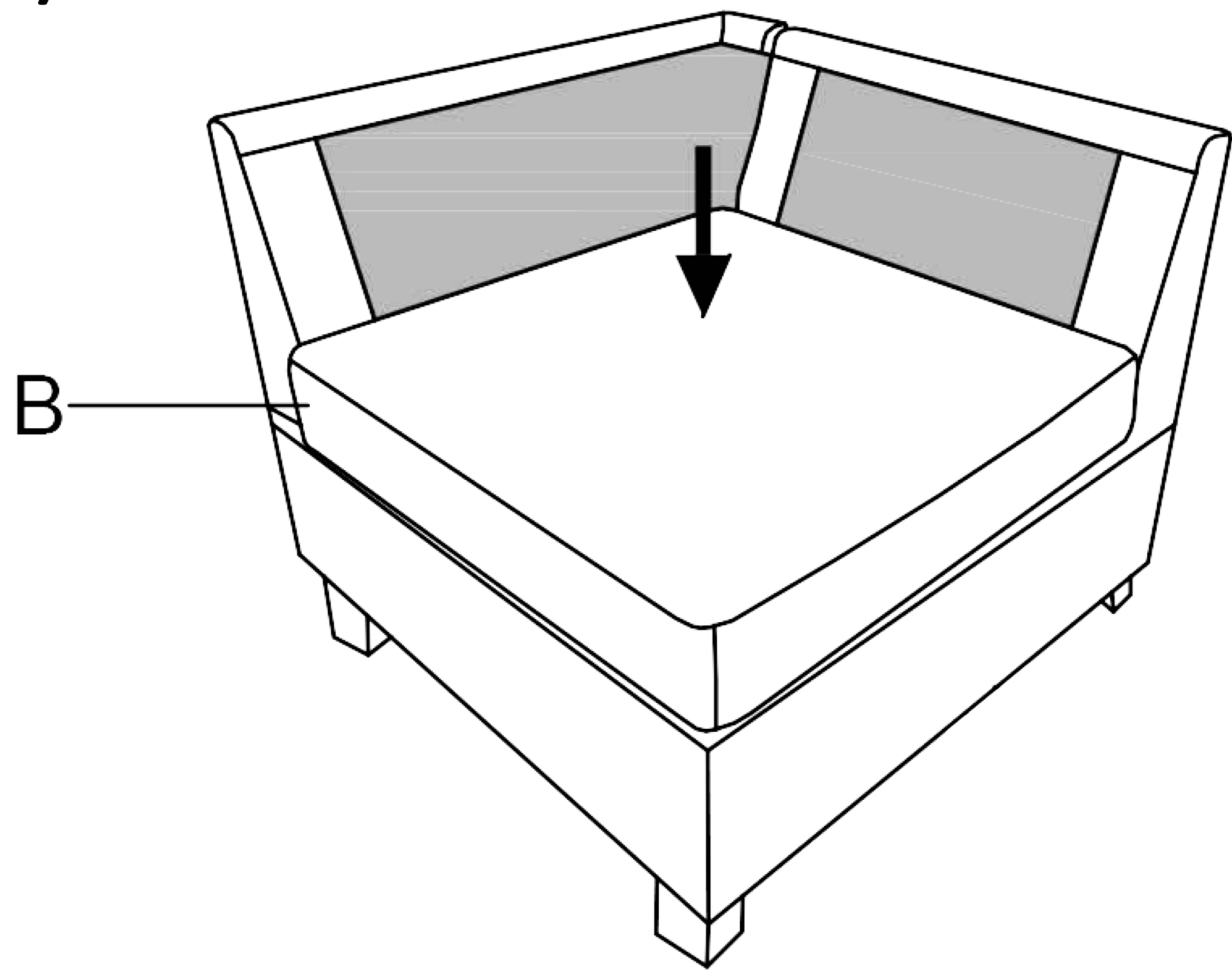
Step 5



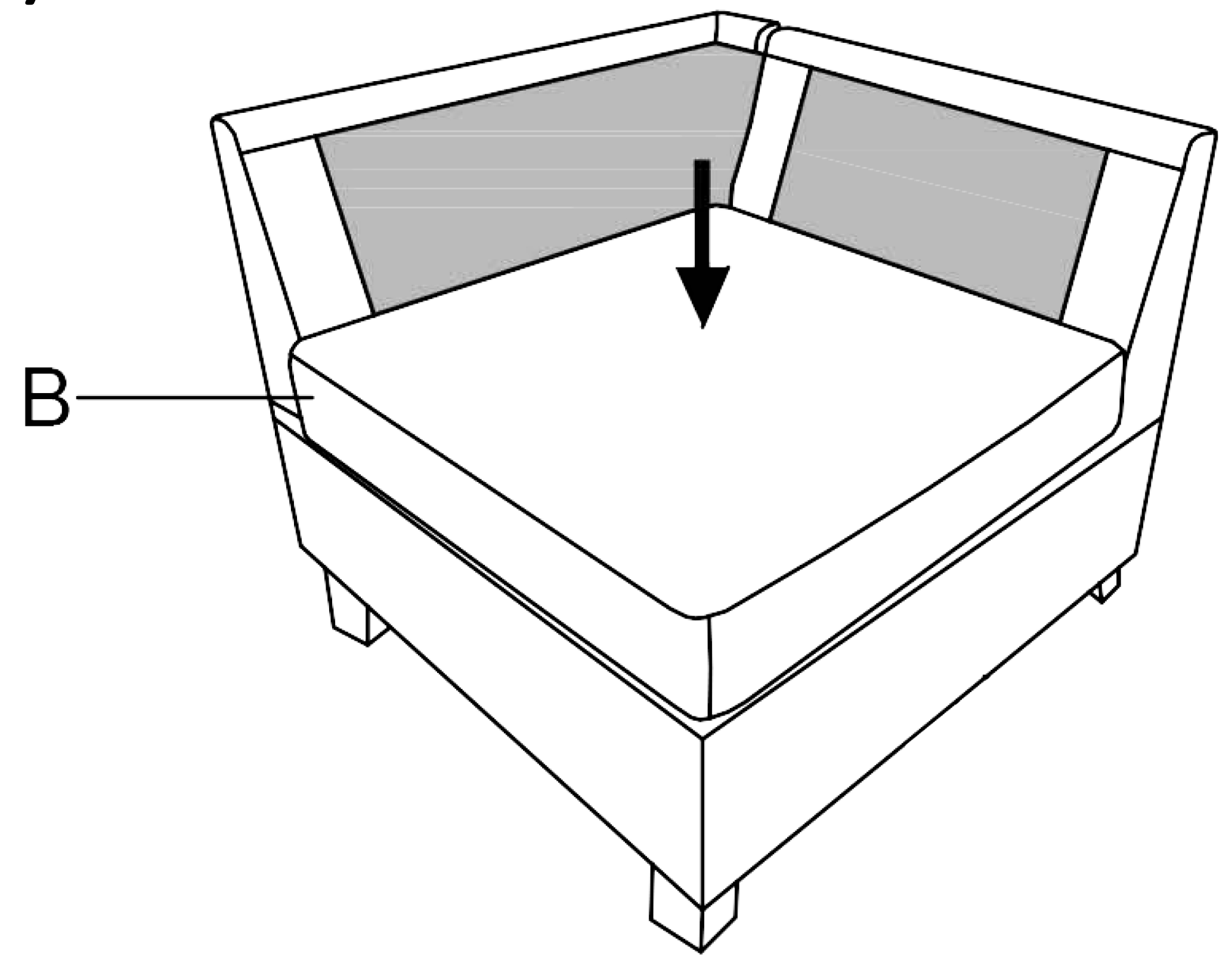
Step 6



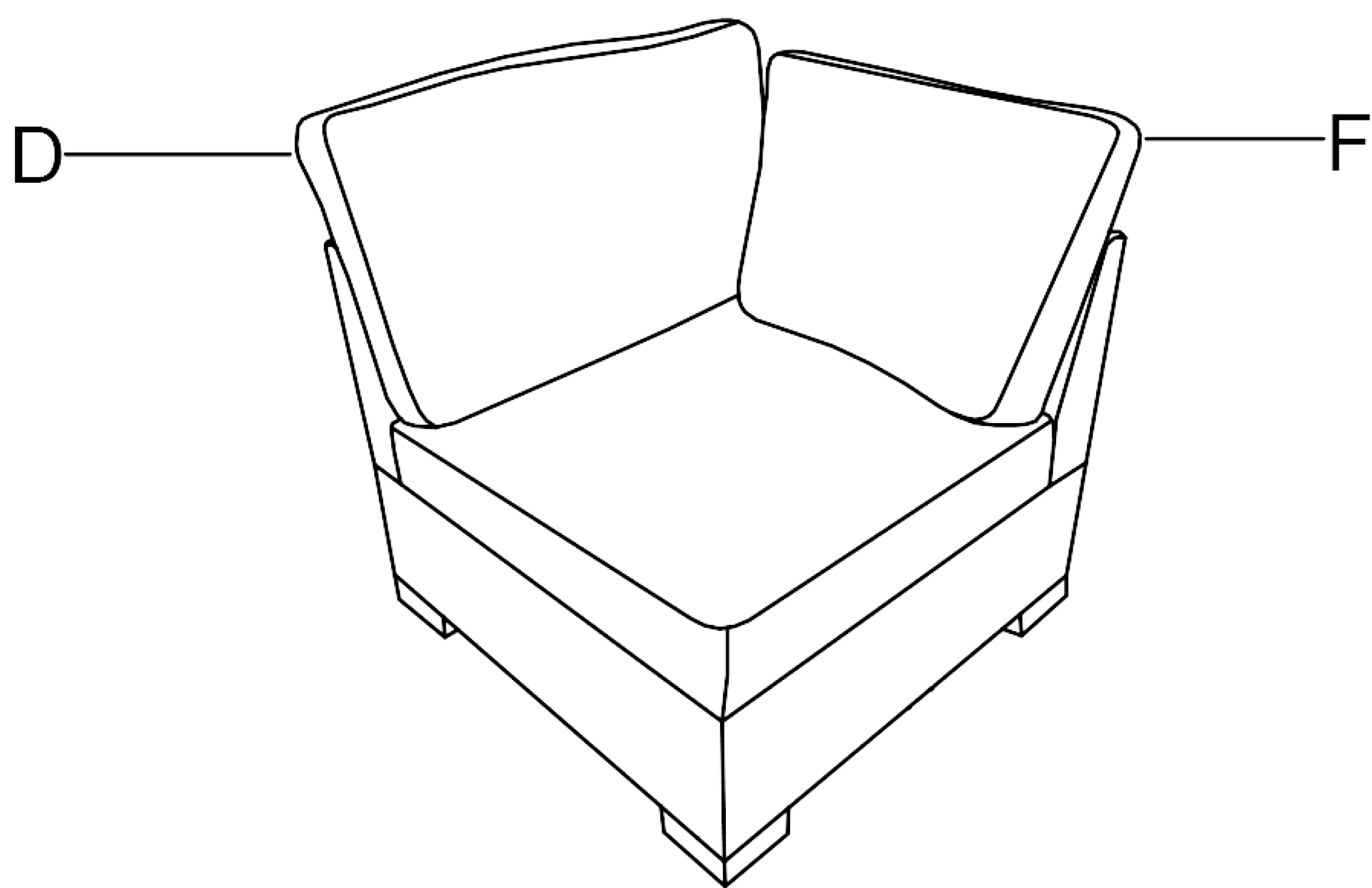
Step 7



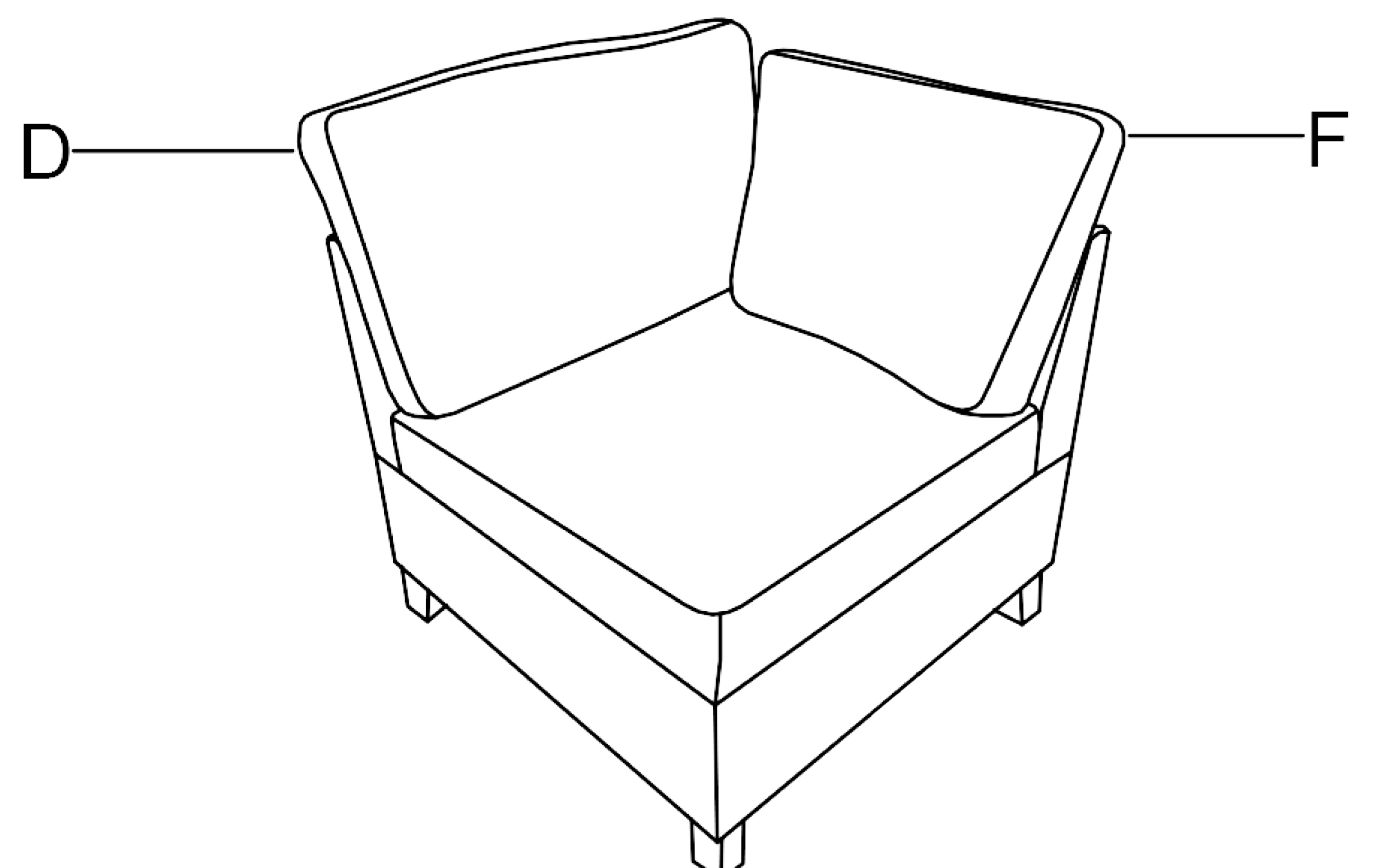
Step 7



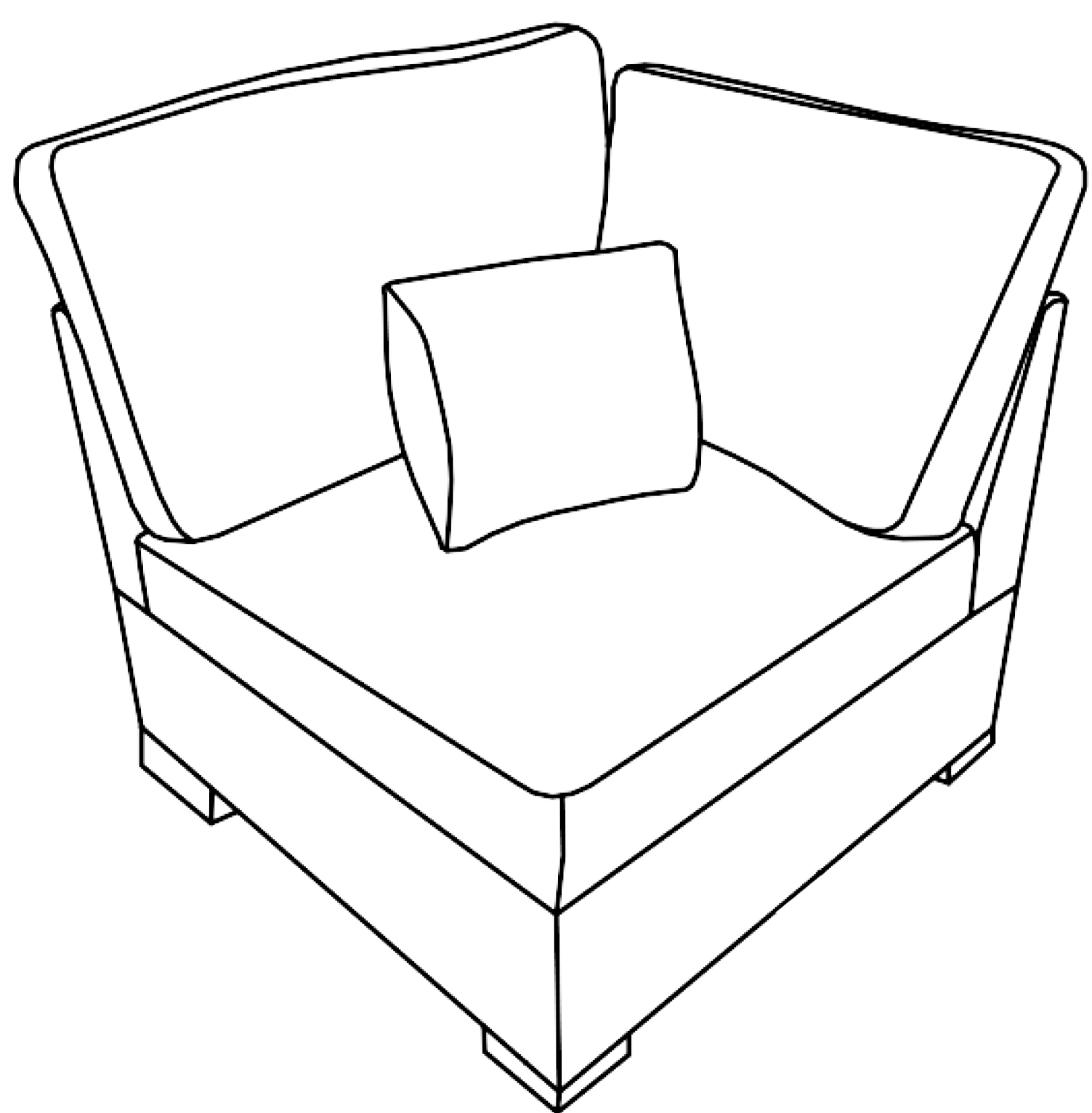
Step 8



Step 8



Step 9



Step 9

