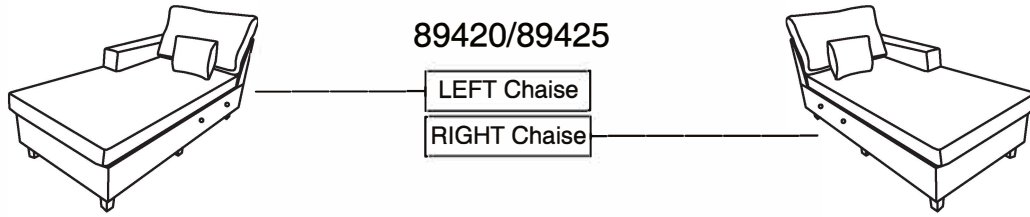
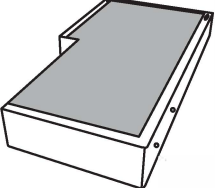
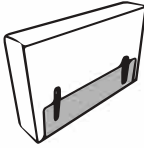
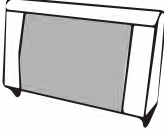

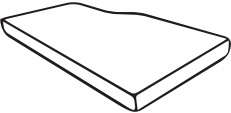
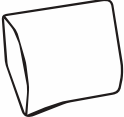


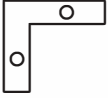

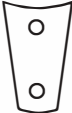






Note: You can choose different feet (High/Short style).

Please note that 89420/89425 can be assembled on the left and on the right. Assemble 89420/89425 according to the serial numbers of the products purchased. The left side and the right side function exactly the same.

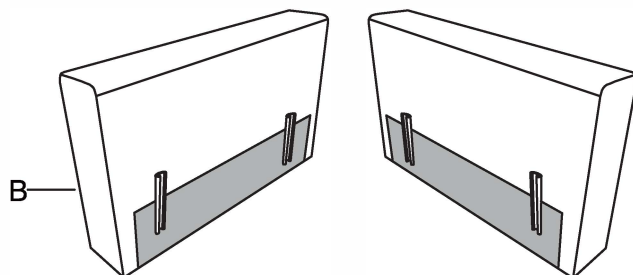


PARTS LIST

<p>Ax1</p>  <p>chaise frame</p>	<p>Bx2</p> 	<p>Cx1</p>  <p>back</p>	<p>Dx1</p>  <p>back bag</p>
<p>Ex1</p>  <p>seat</p>	<p>Fx1</p>  <p>pillow</p>	<p>Gx6</p>  <p>high foot</p>	<p>Hx6</p>  <p>washer</p>
<p>Ix5</p>  <p>short foot</p>	<p>Jx1</p>  <p>short foot</p>	<p>Kx2</p>  <p>iron connector packed in the arms carton</p>	<p>Lx4</p>  <p>M6x16mm bolt used with iron connector and packed in the arms carton</p>
<p>Mx12</p>  <p>M6x35mm bolt used with legs</p>	<p>Nx1</p>  <p>Allen Key</p>	<p>Ox2</p> 	

89420/89425(LEFT/RIGHT) ASSEMBLY INSTRUCTION

Step 1



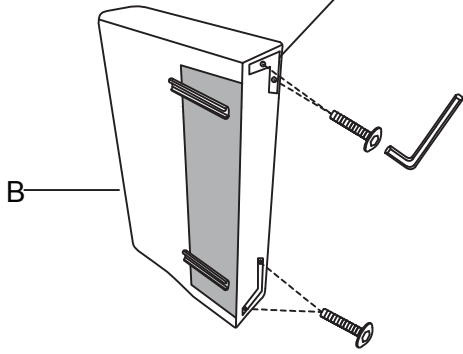
two arms packed in one carton with bolts(M6x16mm) and iron connector.

IMPORTANT

- 1, You can choose High/Short feet to assemble.
- 2, You can choose Left/Right Chaise to assemble for your sofa.
- 3, The legs of arms packed in the chaise carton. Please take out legs from chaise carton before assemble.

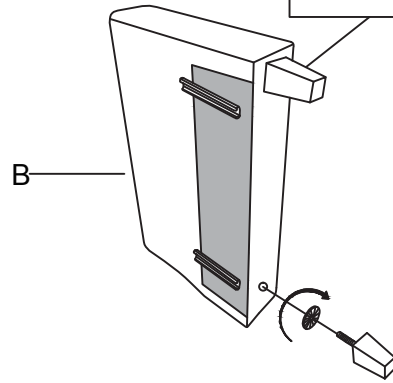
Step 2

short foot(packed with chaise)



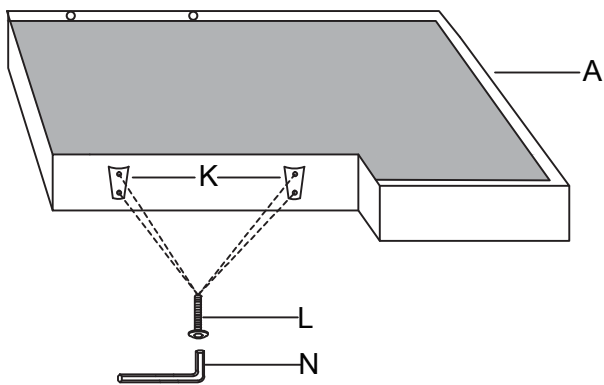
Step 2

high foot(packed with chaise)



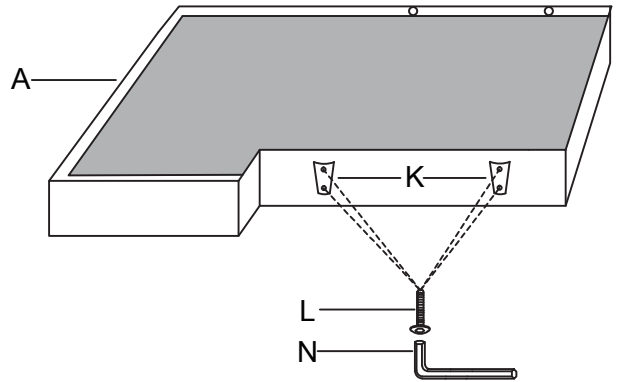
Step 3

LEFT Chaise

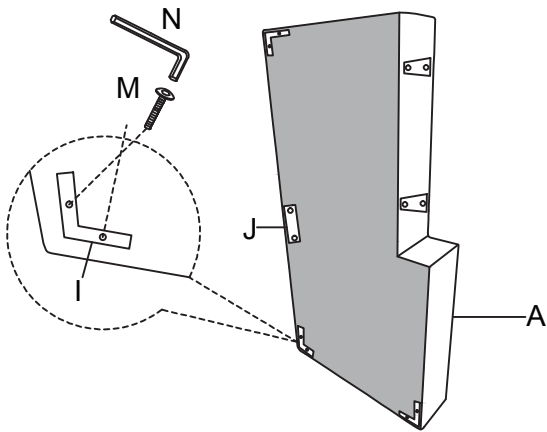


Step 3

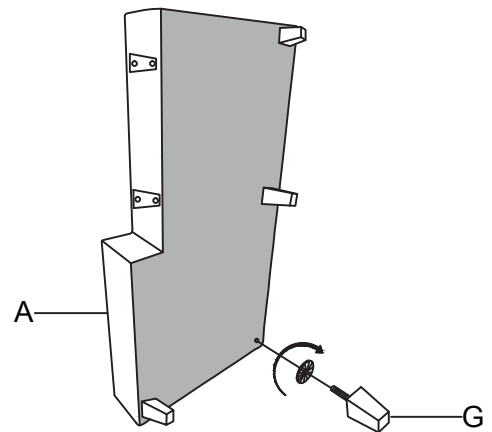
RIGHT Chaise



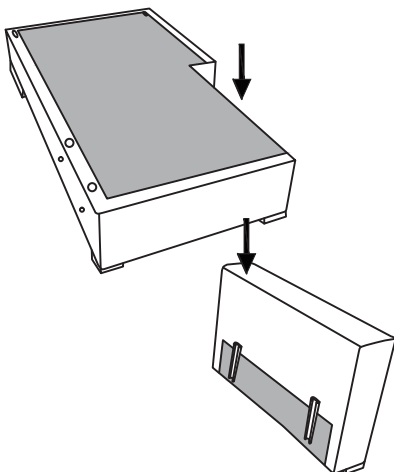
Step 4



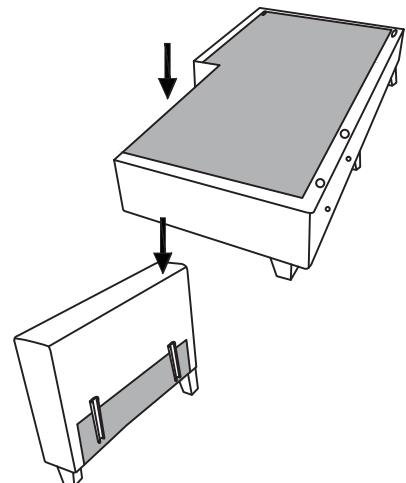
Step 4

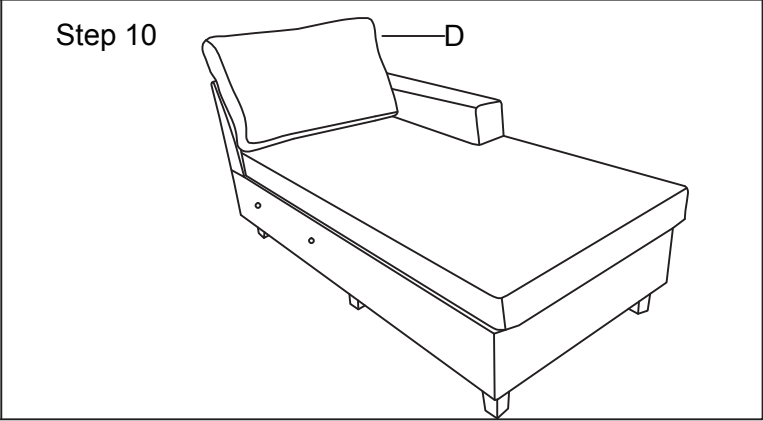
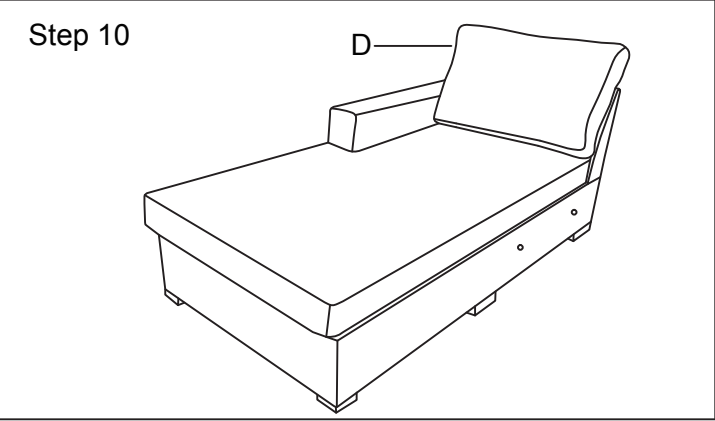
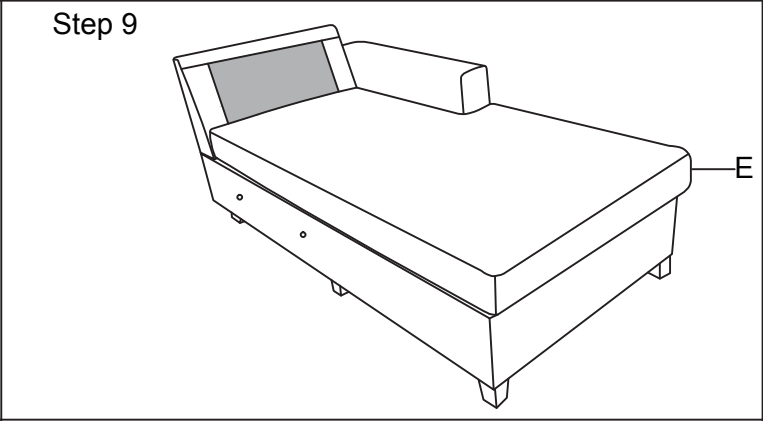
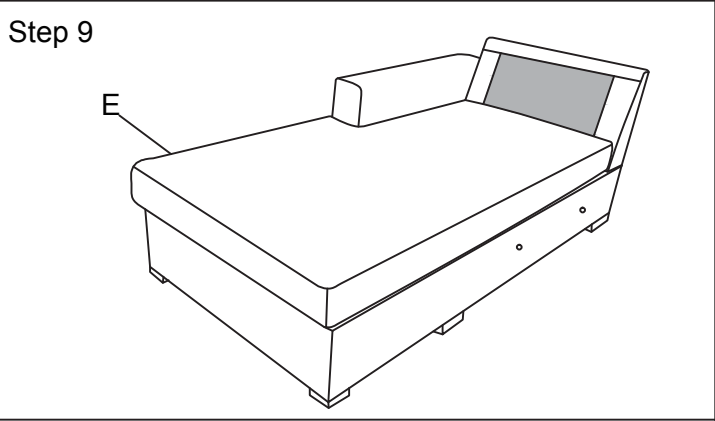
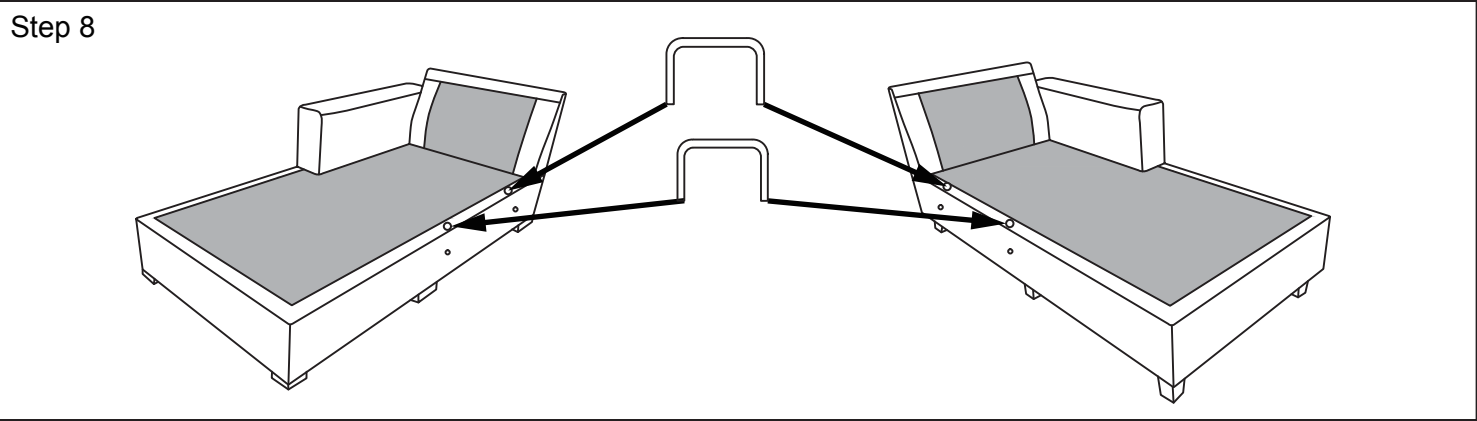
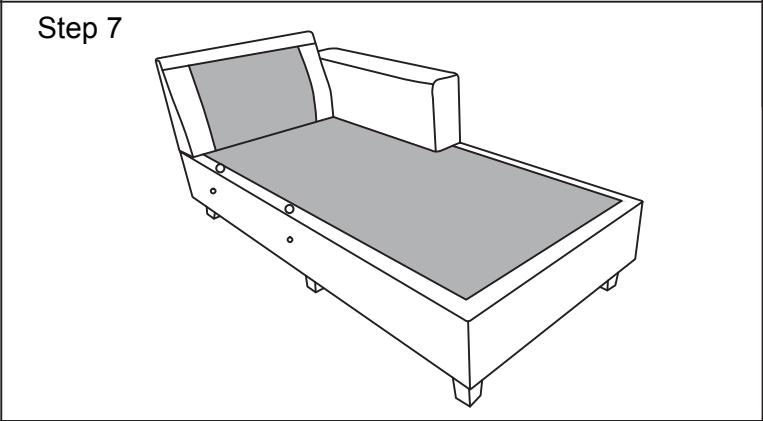
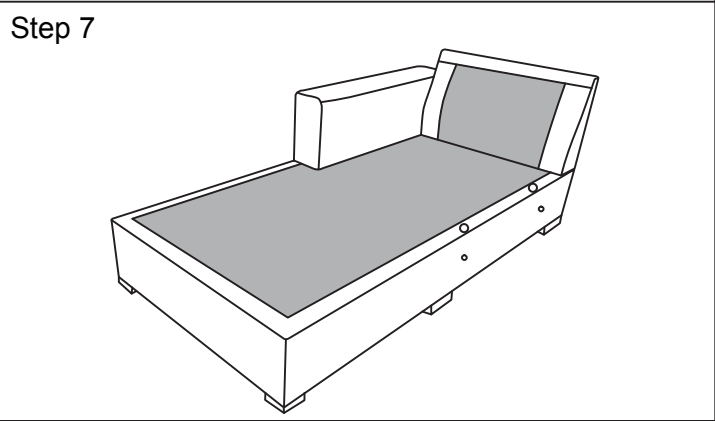
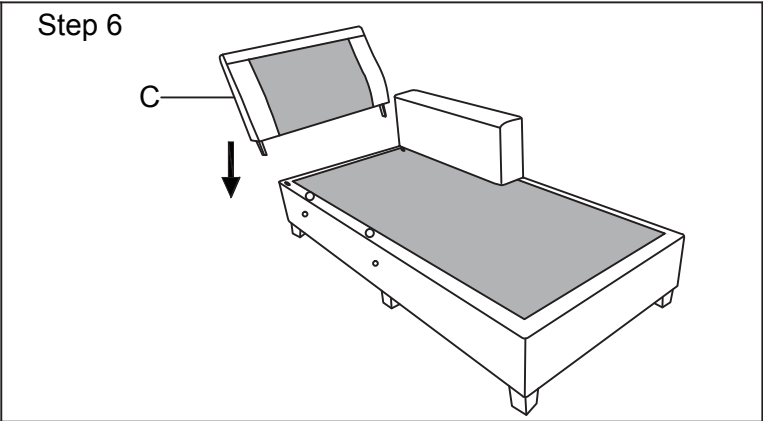
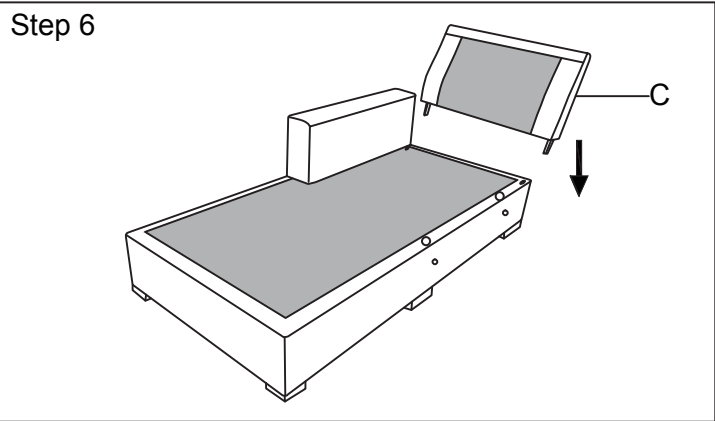


Step 5

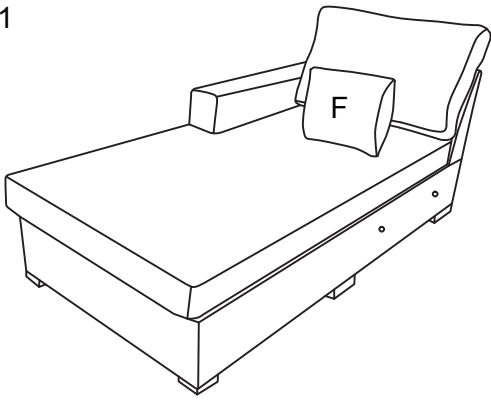


Step 5





Step 11



Step 11

